

**PLEASE CHECK WWW.MOLEX.COM FOR LATEST PART INFORMATION**

**Part Number:** [0955022663](#)  
**Status:** **Active**  
**Overview:** [modular\\_plugs\\_jacks](#)  
**Description:** Modular Jack, Through Hole Version, Bottom Entry, 6/6 Circuits

**Documents:**

[3D Model](#) [Product Specification PS-95502-001 \(PDF\)](#)  
[Drawing \(PDF\)](#) [RoHS Certificate of Compliance \(PDF\)](#)

**Agency Certification**

UL E107635

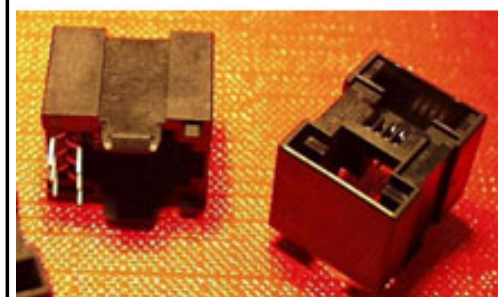
**General**

Product Family Modular Jacks/Plugs  
 Series [95502](#)  
 Component Type PCB Jack  
 Magnetic No  
 Overview [modular\\_plugs\\_jacks](#)  
 Performance Category 3  
 Power over Ethernet (PoE) N/A  
 Product Name RJ11

**Physical**

Boot Color N/A  
 Color - Resin Black  
 Durability (mating cycles max) 200  
 Flammability 94V-0  
 Inverted / Top Latch No  
 Lightpipes/LEDs None  
 Material - Metal Phosphor Bronze  
 Material - Plating Mating Gold  
 Material - Plating Termination Tin  
 Material - Resin High Temperature Thermoplastic  
 Orientation Bottom Entry  
 PCB Locator Yes  
 PCB Retention Yes  
 PCB Thickness Recommended (in) 0.062 In  
 PCB Thickness Recommended (mm) 1.57 mm  
 Packaging Type Tray  
 Pitch - Mating Interface (in) 0.040 In  
 Pitch - Mating Interface (mm) 1.02 mm  
 Pitch - Term. Interface (in) 0.050 In  
 Pitch - Term. Interface (mm) 1.27 mm  
 Plating min: Mating (µin) 50.8  
 Plating min: Mating (µm) 1.27  
 Plating min: Termination (µin) 76  
 Plating min: Termination (µm) 1.9  
 Ports 1  
 Positions / Loaded Contacts 6/6  
 Surface Mount Compatible (SMC) Yes  
 Temperature Range - Operating -40°C to +80°C  
 Termination Interface: Style Through Hole  
 Waterproof / Dustproof No  
 Wire/Cable Type N/A

**Electrical**



Series

image - Reference only

**EU RoHS**

**ELV and RoHS  
 Compliant  
 REACH SVHC  
 Contains SVHC: No  
 Halogen-Free  
 Status**

**China RoHS**



**Need more information on product  
 environmental compliance?**

Email [productcompliance@molex.com](mailto:productcompliance@molex.com)  
 For a multiple part number RoHS Certificate of  
 Compliance, [click here](#)

Please visit the [Contact Us](#) section for any  
 non-product compliance questions.

**Search Parts in this Series**

[95502Series](#)

**Mates With**

[90075 FCC 68 Plug](#)

Current - Maximum per Contact	1.5A
Shielded	No
Voltage - Maximum	125V DC

### **Material Info**

### **Reference - Drawing Numbers**

Packaging Specification	PK-95002
Product Specification	PS-95502-001
Sales Drawing	SD-95502-001

This document was generated on 06/07/2010

**PLEASE CHECK [WWW.MOLEX.COM](http://WWW.MOLEX.COM) FOR LATEST PART INFORMATION**

**NOTES :**

**1- MATERIAL:**

-HOUSING: L C P FIBER GLASS FILLED  
UL 94-V0 COLOR BLACK.

-MODULE : L C P FIBER GLASS FILLED  
UL 94-V0 COLOR BLACK.

-TERMINAL: PHOSPHOR BRONZE .

**PLATING:**

POST PLATE 0.00127-0.00152/.000050-.000060 GOLD  
IN CONTACT AREA.

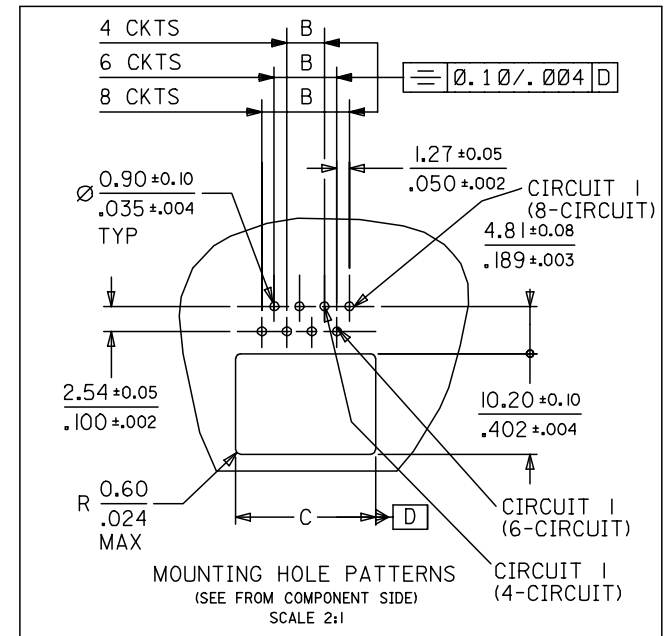
0.00190/.000075 MIN PURE TIN IN TAIL AREA  
BOTH OVER 0.00127/.000050 MIN NICKEL OVERALL.

2- JACK FOR MATING WITH FCC 68 PLUGS  
90075 MOLEX SERIES.

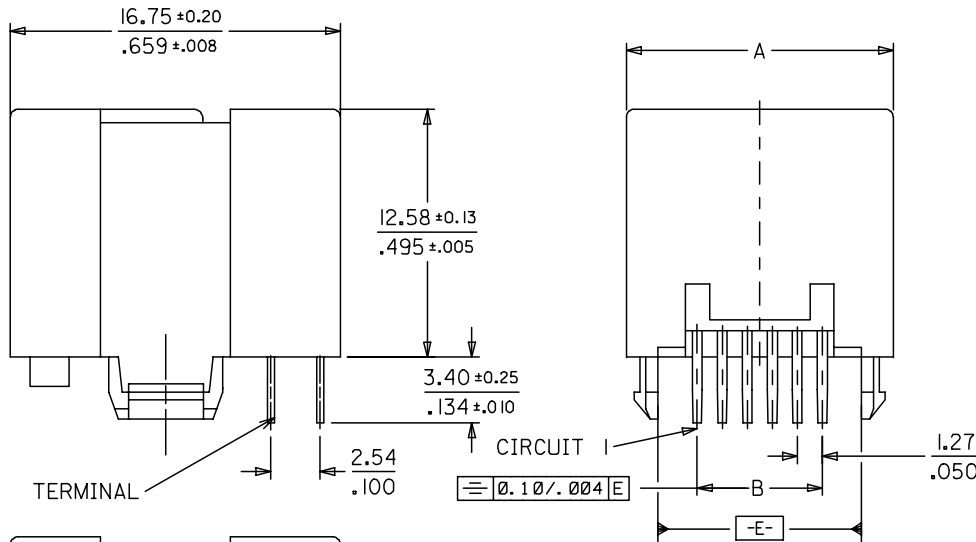
3- PCB THICKNESS : 1.57 / .062

4- PRODUCT SPECIFICATION PS-95502-001

5- PACKAGING SPECIFICATION PK-95002



P/N	HOUSING SIZE	CKTS.	DIM.		
			A ±0.13	B $\begin{matrix} +0.05 \\ -0.10 \\ +0.002 \\ -0.004 \end{matrix}$	C $\begin{matrix} \pm 0.08 \\ \pm 0.003 \end{matrix}$
95502-2443	POS 4	4 CKTS	$\frac{11.50}{.453}$	$\frac{3.81}{.150}$	$\frac{10.20}{.402}$
95502-2643	POS 6	4 CKTS	$\frac{13.55}{.533}$	$\frac{3.81}{.150}$	$\frac{12.20}{.480}$
95502-2663	POS 6	6 CKTS	$\frac{13.55}{.533}$	$\frac{6.35}{.250}$	$\frac{12.20}{.480}$
95502-2883	POS 8	8 CKTS	$\frac{15.55}{.612}$	$\frac{8.89}{.350}$	$\frac{14.20}{.559}$



MODIFIED MATL.  
EC NO: E2007-0611  
DRWN:DBYRNES 2007/01/22  
CHKD: 2007/01/22  
APPR:EDMAHONY 2007/01/25

QUALITY SYMBOLS  
▽=0  
▽C=0

GENERAL TOLERANCES (UNLESS SPECIFIED)

	mm	INCH
4 PLACES	± ---	± ---
3 PLACES	± ---	± .006
2 PLACES	± 0.15	± .010
1 PLACE	± 0.25	± ---

ANGULAR ± .5 °

DRAFT WHERE APPLICABLE  
MUST REMAIN WITHIN DIMENSIONS

DIMENSION STYLE  
MM/IN

DRAWN BY DATE  
TMARTIN 2005/05/31

CHECKED BY DATE  
FCARABETTA 2005/05/31

APPROVED BY DATE  
KNOLLER 2005/05/31

MATERIAL NO.

SIZE  
A3

SCALE 4:1

DESIGN UNITS METRIC

THIRD ANGLE PROJECTION

TITLE  
BOTTOM ENTRY LOW PROFILE  
MODULAR JACK  
(THROUGH HOLE VERSION)

MOLEX INCORPORATED

DOCUMENT NO. SD-95502-001

SHEET NO. 1 OF 1

THIS DRAWING CONTAINS INFORMATION THAT IS PROPRIETARY TO MOLEX INCORPORATED AND SHOULD NOT BE USED WITHOUT WRITTEN PERMISSION