

1.2W DUAL AUDIO POWER AMPLIFIER

KIA6269P is dual audio power amplifier designed for the portable radio cassette tape recorder.

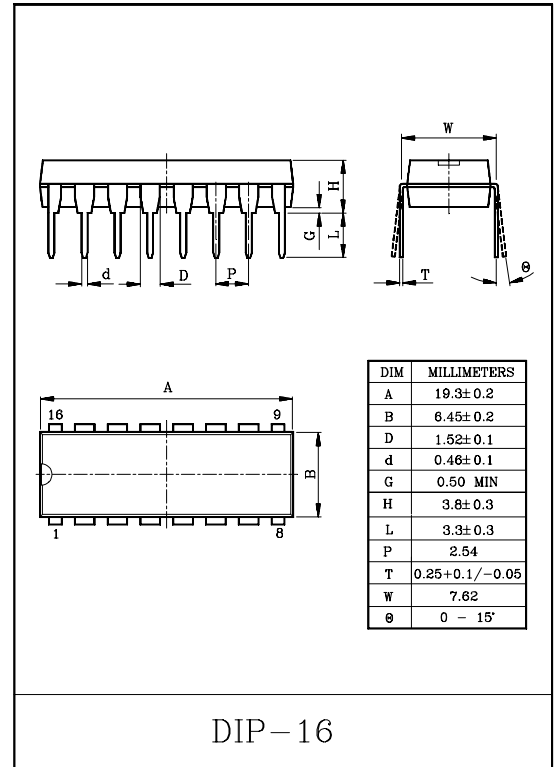
FEATURES

- High output power : $P_{OUT}=1.0W$ (Typ.)
($V_{CC}=6V$, $R_L=4\Omega$, $f=1kHz$, THD=10%).
- Built-in thermal shut down protection circuit.
- Small pop noise at power supply ON.
- Soft clip.
- Wide operating supply voltage range : $V_{CC}=4.5\sim 9.0V$.

MAXIMUM RATINGS ($T_a=25^\circ C$)

CHARACTERISTIC	SYMBOL	RATING	UNIT
Supply Voltage	V_{CC}	14	V
Power Dissipation (Note) (Package Limitation)	P_D	3.6	W
Operating Temperature	T_{opr}	-25~75	$^\circ C$
Storage Temperature	T_{stg}	-55~150	$^\circ C$

Note : Value for mounting on PC board with Cu Fin.
(Refer to P_D - T_a curve)



KIA6269P

ELECTRICAL CHARACTERISTICS

(Unless otherwise specified, $V_{CC}=6V$, $f=1kHz$, $R_L=4\Omega$, $R_g=600\Omega$, $T_a=25^\circ C$)

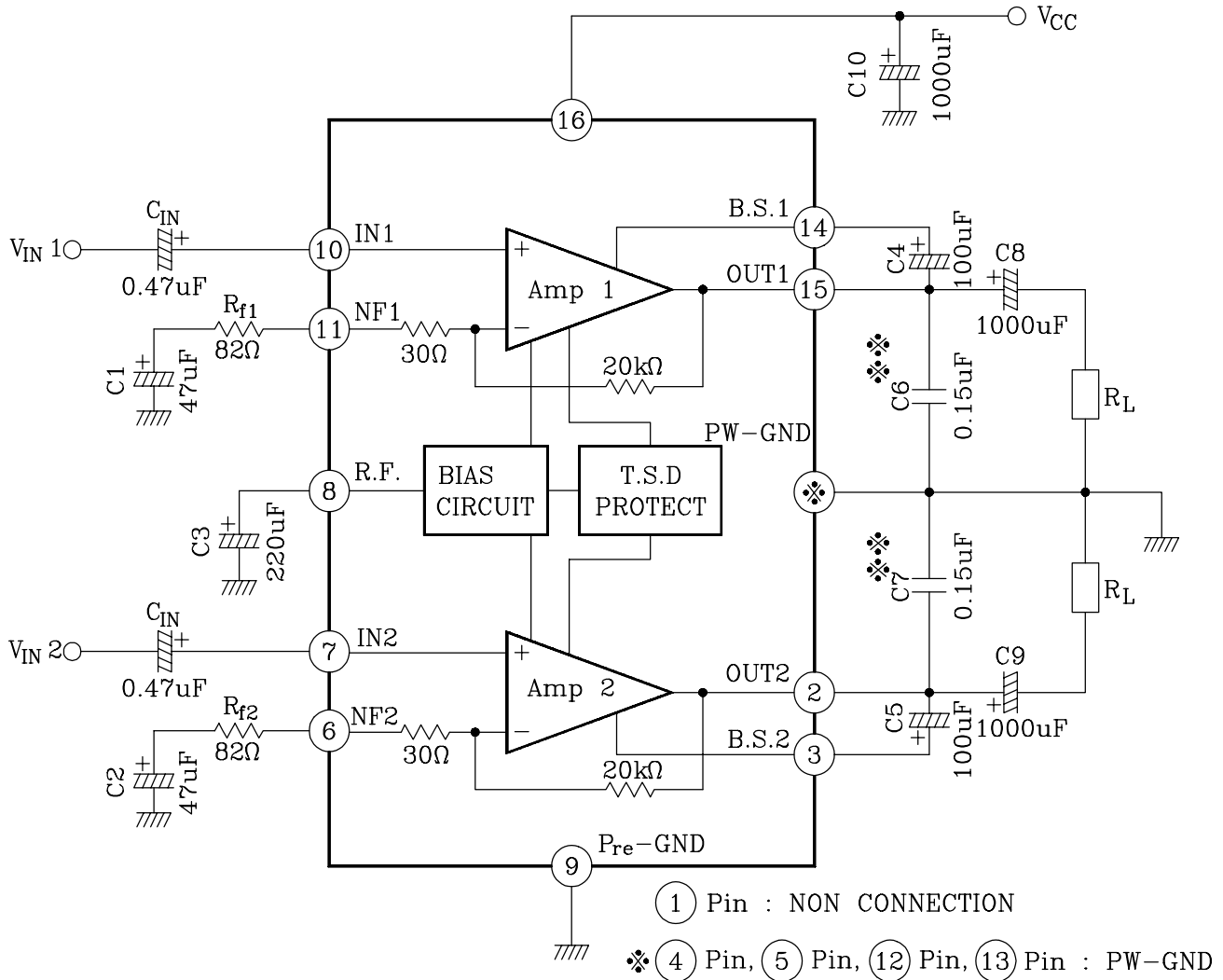
CHARACTERISTIC	SYMBOL	TEST CIRCUIT	TEST CONDITION	MIN.	TYP.	MAX.	UNIT
Quiescent Current	I_{CCQ}	-	$V_{IN}=0V$	-	30	55	mA
Output Power	$P_{OUT(1)}$	-	THD=10%	0.7	1.0	-	W
	$P_{OUT(2)}$		$R_L=3\Omega$, THD=10%	-	1.2	-	
	$P_{OUT(3)}$		$R_L=8\Omega$, THD=10%	-	0.62	-	
	$P_{OUT(4)}$		$V_{CC}=7.5V$, $R_L=8\Omega$, THD=10%	-	0.96	-	
Total Harmonic Distortion	THD	-	$P_{OUT}=0.25W$, $G_V=45dB$	-	0.15	1.0	%
Voltage Gain	$G_V(1)$	-	$R_f=82\Omega$, $V_{OUT}=0dBm$	43	45	47	dB
	$G_V(2)$		$R_f=0\Omega$, $V_{OUT}=0dBm$	-	56.5	-	
Cross Talk	C.T	-	$V_{OUT}=0dBm$	-	-60	-	dB
Ripple Rejection Ratio	R.R	-	$f_{RIP}=100Hz$, $V_{RIP}=245mV_{rms}$	-	-55	-40	dB
Output Noise Voltage	V_{NO}	-	$R_g=10k\Omega$, $G_V=45dB$ $BW=20Hz \sim 20kHz$	-	0.4	0.7	mV_{rms}
Input Resistance	R_{IN}	-	-	-	30	-	$k\Omega$
Input Offset Voltage	V_7, V_{10}	-	-	-	30	-	mV

TYPICAL DC VOLTAGE OF EACH TERMINAL ($V_{CC}=6V$, $T_a=25^\circ C$, Test Circuit)

TERMINAL NO.	1	2	3	4	5	6	7	8	9	10	11	12	13	14	15	16
DC VOLTAGE(V)	NC	3.0	5.75	0	0	0.65	0.03	5.95	0	0.03	0.65	0	0	5.75	3.0	6.0

KIA6269P

BLOCK DIAGRAM & TEST CIRCUIT



※※ For C6 and C7, it is advised to use polyester film capacitor having superior quality in the characteristics of high frequency and temperature.

PRECAUTIONS FOR USE AND APPLICATION

1) Input Stage

The input stage of power amplifier is comprised of a PNP differential pair preceded by a PNP emitter follower which allows DC referencing of the source signal to ground. This eliminates the need for an input coupling capacitor. However, in case the brush noise of volume becomes a problem, provide serially a coupling capacitor to the input side.

2) Adjustment of Voltage Gain

The voltage gain is fixed at $G_V=56.5\text{dB}$ by the resistors (R_1 and R_2) in IC, however, its reduction is possible through adding R_f as shown in Figure 1. In this case, the voltage gain is obtained by the following equation

$$G_V = 20 \log \frac{R_1 + R_2 + R_f}{R_1 + R_2}$$

It is recommended to use this IC with the voltage gain of $G_V=40\text{dB}$ or over.

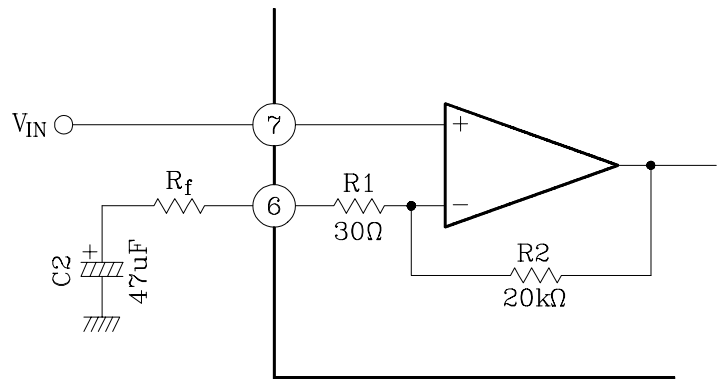


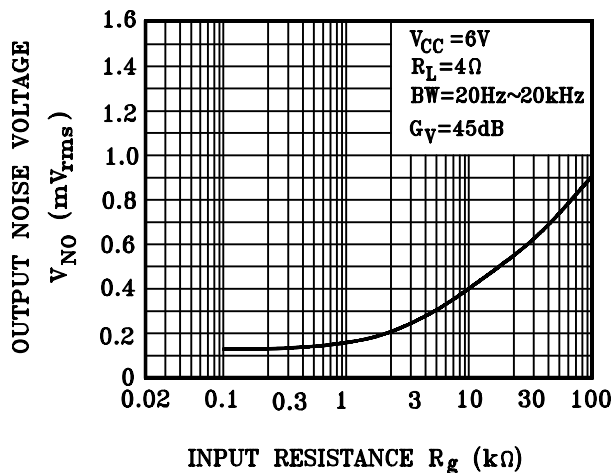
Figure 1

3) Measures Against Oscillation

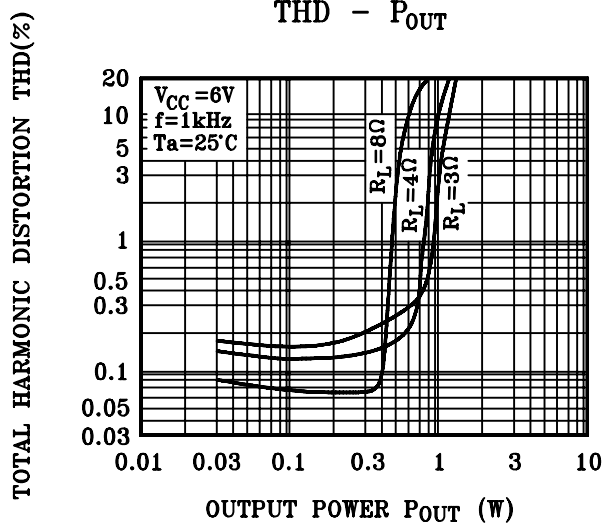
For the capacitors C_6 and C_7 to be applied for preventing the oscillation between output terminal and GND, use the polyester film capacitor having superior quality in high frequency and temperature characteristics, however, since the characteristics of the capacitor may be different depending on the manufactures or kinds, apply the capacitor after confirmation.

Since the characteristics of the capacitor of the ceramic type are liable to be affected by the temperature and the voltage, use the capacitor of larger capacity and be sure to perform the thermal test to check the oscillation allowance.

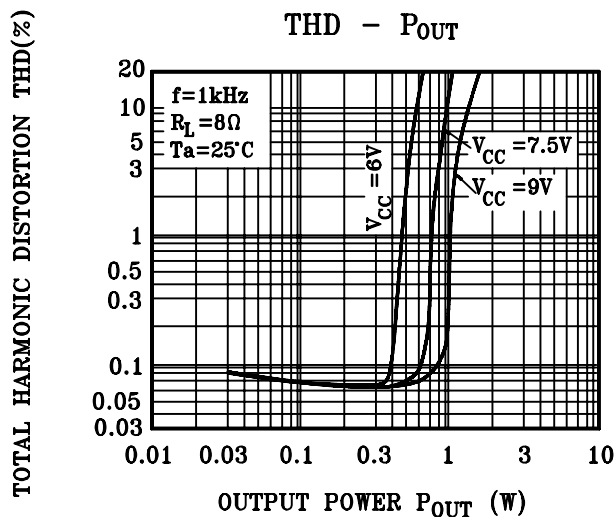
$V_{No} - R_g$



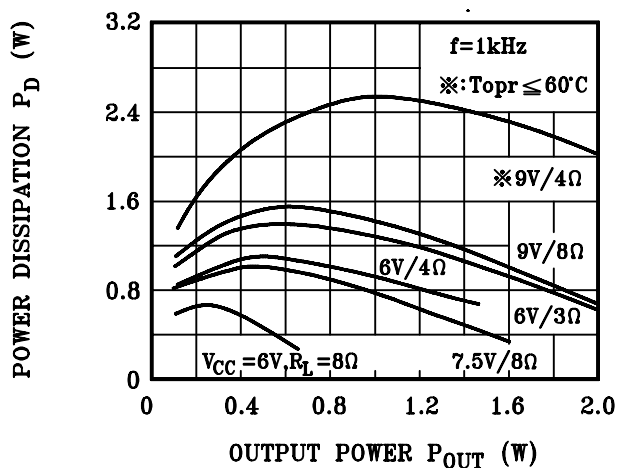
THD - P_{OUT}



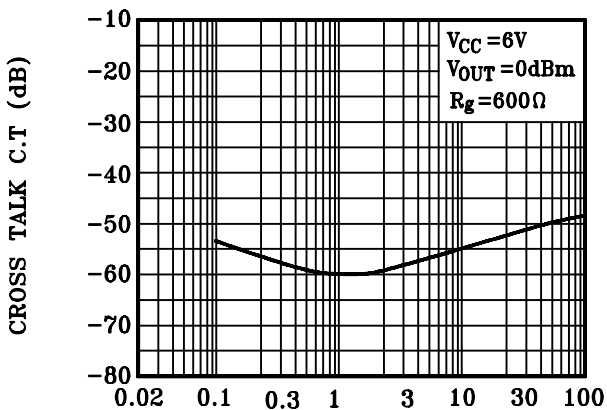
THD - P_{OUT}



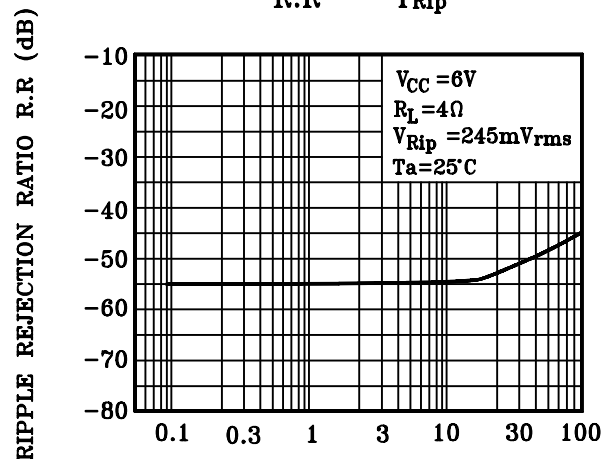
$P_D - P_{OUT}$



C.T - f



R.R - f_{Rip}



KIA6269P

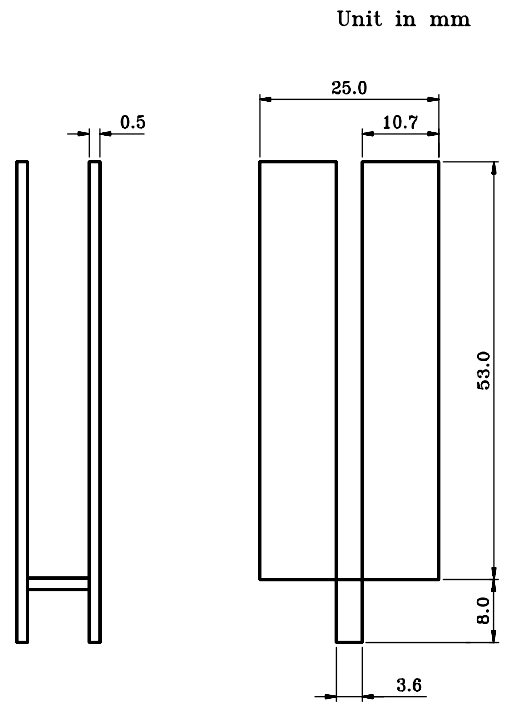
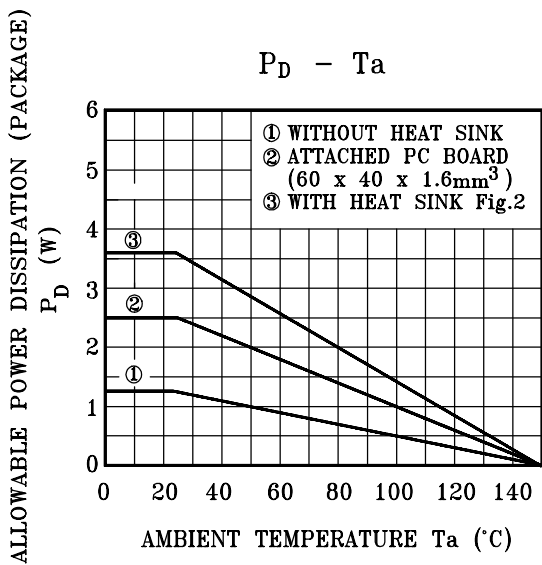
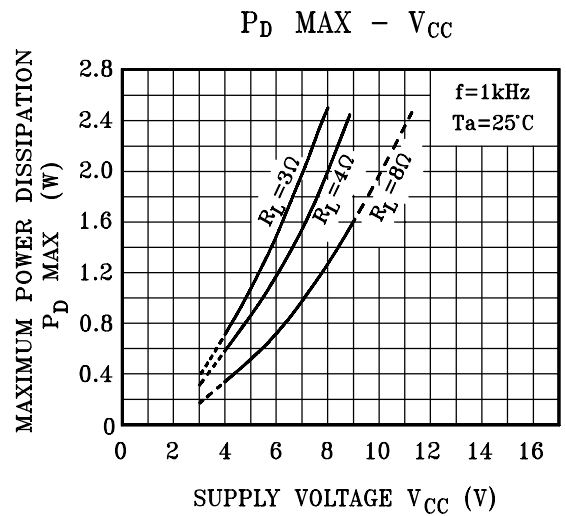
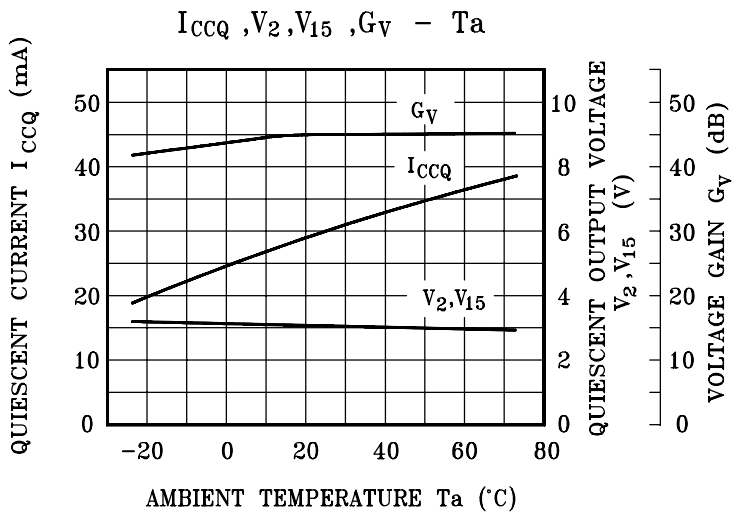


Figure 2