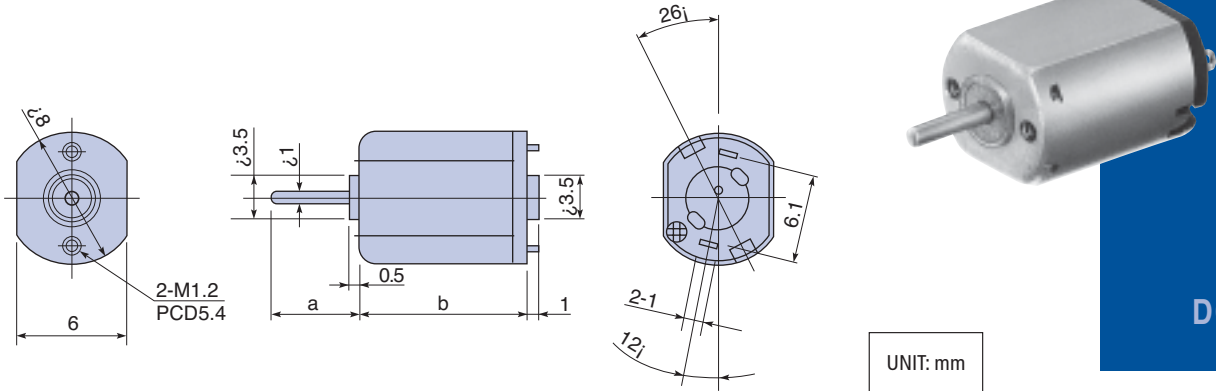


Outline



Specifications

Model	Operating Voltage (V)	Rated Voltage (V)	No Load Speed (r/min)	No Load Current (mA)	Rated Load		Rated Load Speed (r/min)	Rated Current (mA)	Starting Torque		Note
					(gf·cm)	(mN·m)			(gf·cm)	(mN·m)	
PNN3GE06TD	0 to 3.0	1.5	12300	39	0.3	0.03	8200	78	0.9	0.09	a= 5 b= 10
PNN7GE08PD	0 to 3.0	1.5	10200	34	1	0.1	5600	117	2.3	0.23	a= 5.5 b= 14.5

Characteristics

