

M54125L

Earth Leakage Current Detector

REJ03F0033-0100Z

Rev.1.0

Sep.16.2003

Description

The M54125L is a semiconductor integrated circuit having the functions of an amplifier for use with high-speed ground-fault breakers.

Features

- Satisfies JIS C 8371
- Good temperature characteristic of the input sense current (VLKT = 9 mV)
- Internal neutral line open-phase (N open) detection function
- Few external components
- Good stability with respect to noise, surges
- Broad operating temperature range ($T_a = -20$ to 80°C)

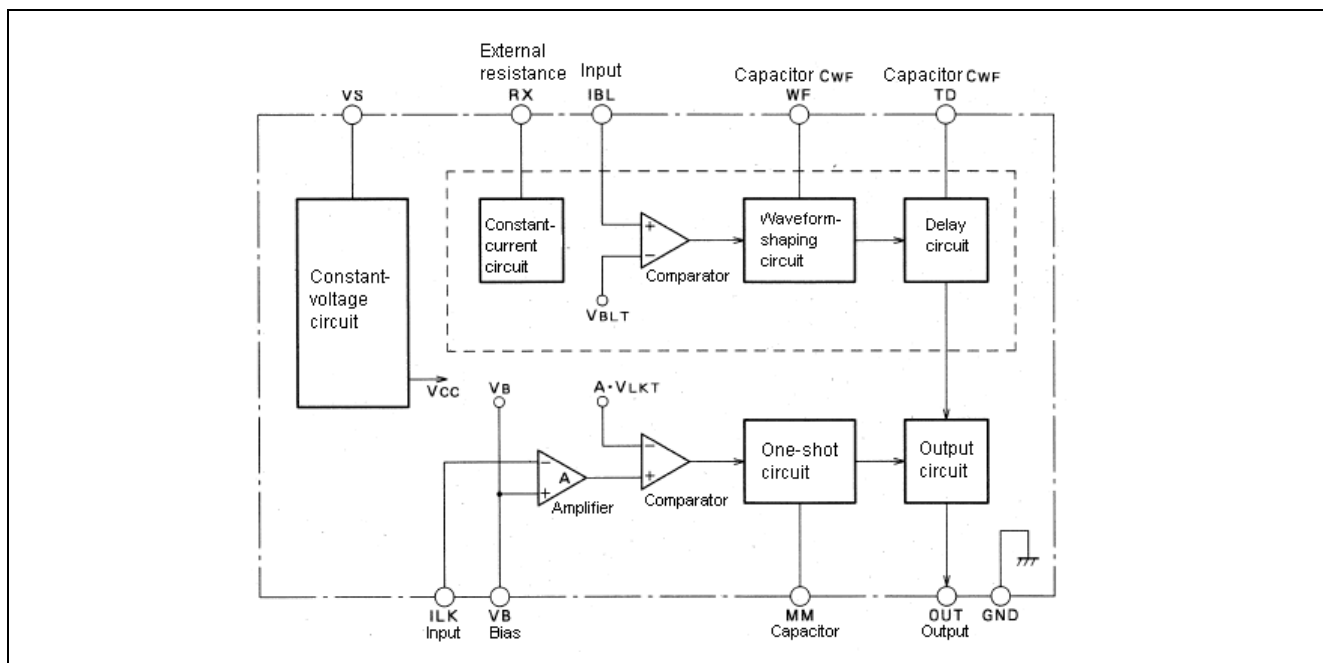
Applications

- High-speed ground-fault breakers

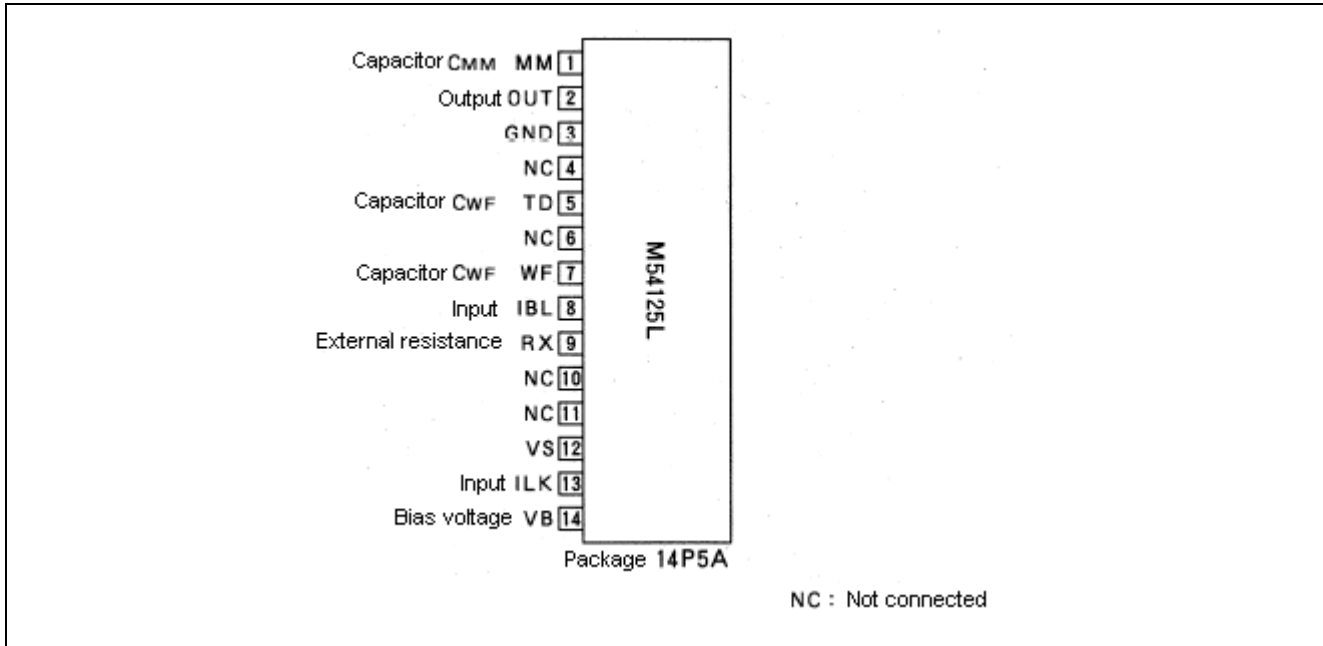
Summary of functions

The M54125L is an integrated circuit used in the amplification unit of a high-speed ground-fault breaker, and consists of a differential amplifier, one-shot circuit, output circuit, constant-current circuit, waveform-shaping circuit, and delay circuit. Operation is explained below, based on the block diagram, application example, and operating waveforms.

Block diagram



Pin Configuration (Top View)

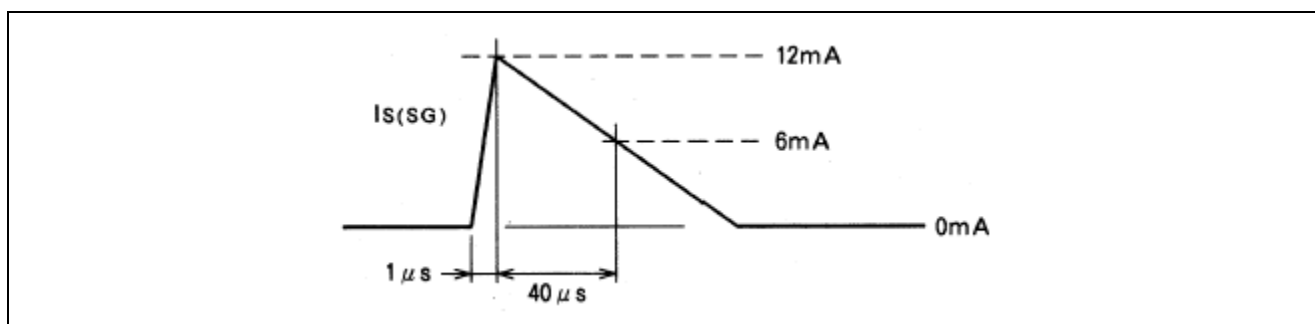


Absolute maximum ratings

(unless otherwise noted, $T_a = -20$ to 80°C)

Symbol	Quantity	Conditions	Rated value		
			Min.	Typ.	Max.
I_s	Power supply voltage	Mean current over one cycle of the power supply frequency	0 to 6		
I_s (so)	Power supply surge current	(Note 1)	0 to 12		
ΔV_{ILK}	ILK input voltage	Taking pin VB to be ground potential	-1.8 to +1.8		
V_{IBL}	IBL input voltage		-0.3 to 6		
V_{OUT}	OUT applied voltage	With external voltage applied	-0.3 to 4		
P_d	Power consumption		160		
T_{opr}	Operating temperature		-20 to 80		
T_{stg}	Storage temperature		-55 to 125		

Note 1: The $I_{s(SG)}$ current waveform is as shown below; one surge or less in a given minute is assumed.



Recommended operating conditions

(unless otherwise noted, $T_a = -20$ to $^\circ\text{C}$)

Symbol	Quantity	Conditions	Rated value		
			Min.	Typ.	Max.
V_s	Power supply voltage	when OUT is off	12		
I_s	Power supply current	Mean current over one cycle of the power supply frequency	5.6		
C_{MM}	External capacitor MM		0.22		
C_{WF}	External capacitor WF		1		
C_{TD}	External capacitor TD		6.8		
Rx	External resistor R_x		27		

Note: Handling of unused pins when the abnormal voltage detection function not used:

- Pin Rx is open
- Pin TD is shorted to GND
- Pin WF and pin IBL are open are shorted to GND

Leakage Detection Function

When a leakage current I_g occurs on the primary side of ZCT (a zero-phase current transformer), a leakage signal voltage V_{ILK} appears in the secondary-side output, and is input to the ILK input pin, with the bias pin VB as reference. During the half-cycle in which V_{ILK} is negative, in the interval in which the voltage is equal to or below the DC trip voltage V_{LKT} , the capacitor C_{MM} connected to the pin MM is charged.

In this case, if the pin MM voltage V_{MM} does not reach the MM positive-direction threshold voltage, when the charging interval ends the capacitor C_{MM} is discharged with a current larger than the charging current. If the pin voltage V_{MM} reaches the MM positive-direction threshold voltage, at this time the output OUT is "ON" (the state in which output current is flowing out), and at the same time a small current is discharged from the capacitor C_{MM} . When V_{MM} falls to the MM negative-direction threshold voltage, the output OUT is returned to "OFF" (the state in which output current flows in).

That is, the leakage current for which the dead time t_{MM} coincides with the interval during which the amplitude of the input voltage V_{ILK} is equal to or greater than the DC trip voltage V_{ILK} becomes the sense current of the ground-fault breaker.

The output OUT is "ON" for the length of time t_{OUT} , and the output current turns on the thyristor, effectively causing the breaker to operate.

Abnormal Voltage Detection Function

Normally, the rectified voltage of an AC power supply with uniform amplitude is voltage-divided and input to the abnormal voltage input pin IBL as the voltage V_{IBL} . In this case, if the neutral line N is interrupted, depending on the load states of the voltage lines A and B, the input voltage V_{IBL} may become a rectified voltage with amplitude alternating between high and low.

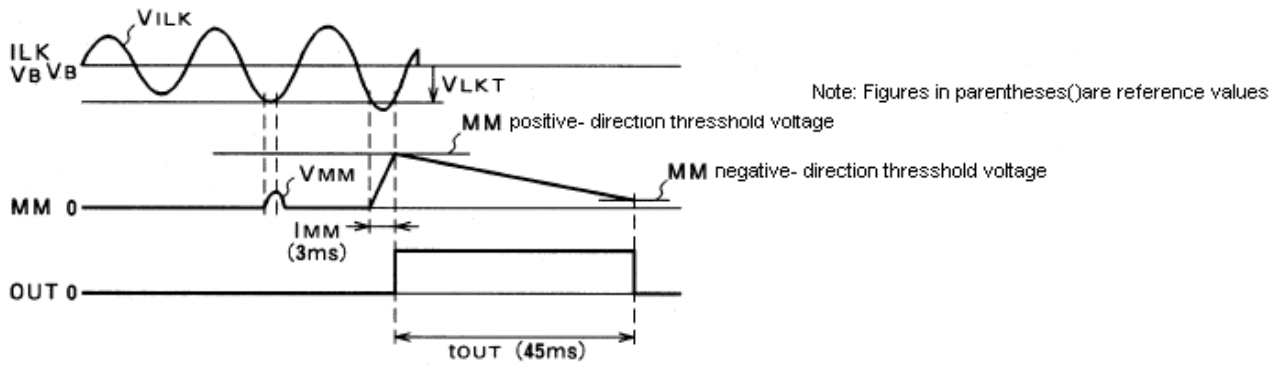
At this time, the capacitor C_{WF} connected to the pin WF discharges during the interval in which the amplitude of V_{IBL} is equal to or greater than the abnormal voltage trip voltage V_{BLT} . (When the discharge interval ends, the charging interval begins.) When the WF pin voltage V_{WF} falls below the WF threshold voltage, the capacitor C_{TD} of pin TD begins to charge, and after the delay time t_{TD} has elapsed, when the TD pin voltage V_{TD} reaches the TD threshold voltage, the output OUT is turned "ON", effectively causing the breaker to operate.

When single-shot noise is superposed on the input voltage V_{IBL} causing it to rise above V_{BLT} , the original state is restored after approximately time t_{WF} , thus preventing erroneous operation.

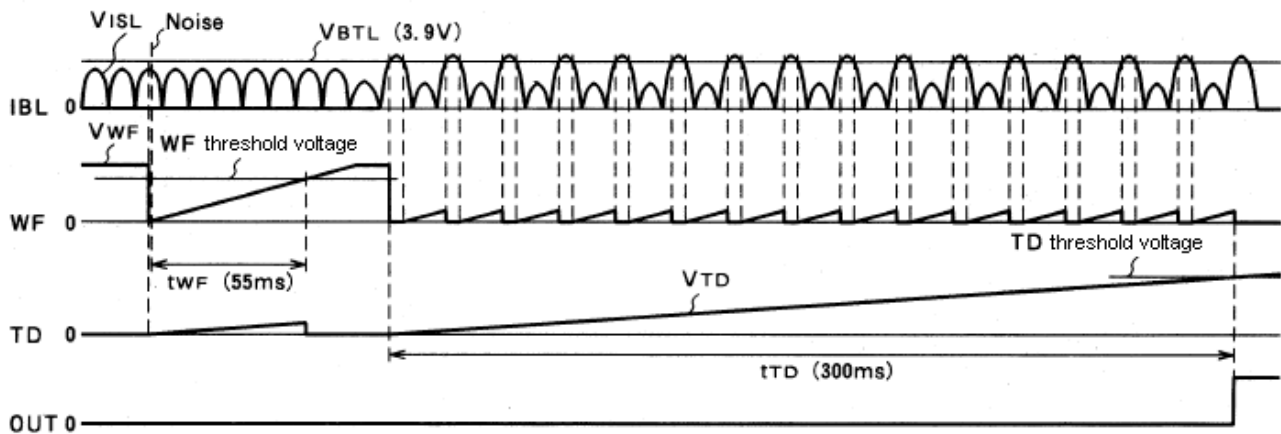
Current flows in this abnormal voltage detection unit to enable operation only when an external resistor R_X is connected to pin RX.

Operation Waveform Diagrams

1) Voltage waveforms during leakage detection operation



2) Voltage waveforms during abnormal voltage detection operation

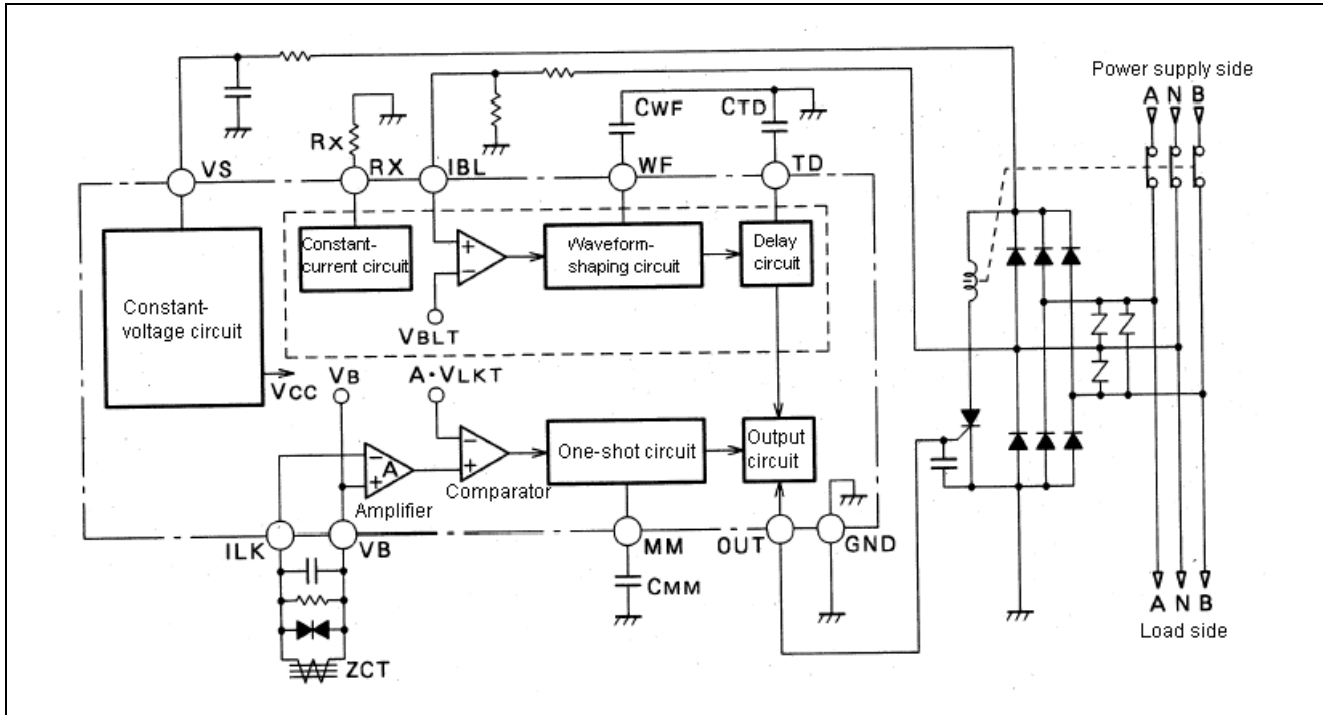


Electrical Characteristics

(unless otherwise noted, $V_{CC} = 5\text{ V}$, $T_a = -20$ to 80°C)

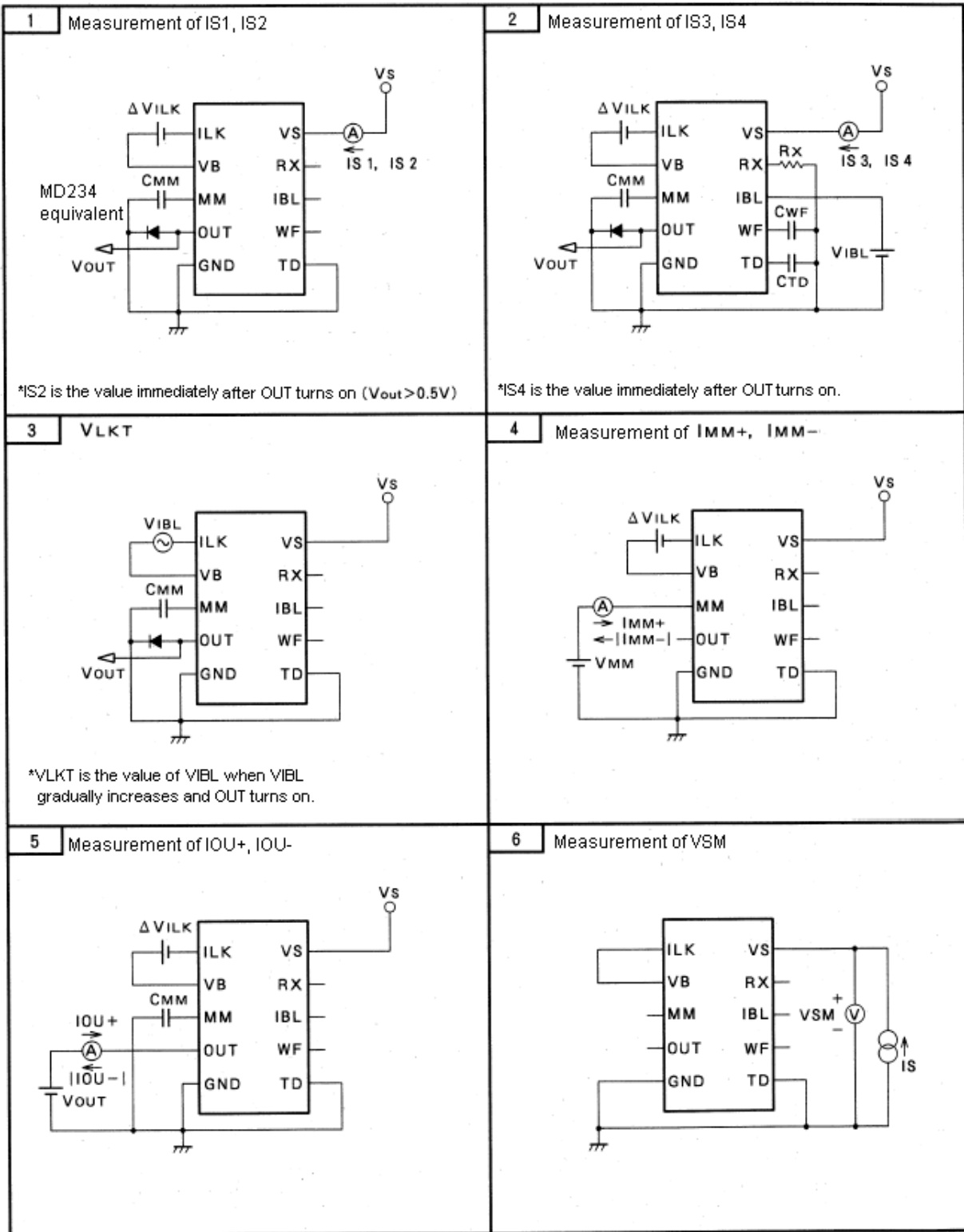
Symbol	Quantity		Measurement conditions	Temp-erature	Rated value		Unit	Test circuit
					Min.	Max.		
I_{S1}	Power supply current 1	VS	$V_S = 12\text{V}$, $\Delta I_{LK} = 0\text{mV}$, Out : "OFF"			0.7	mA	1
I_{S2}	Power supply current 2	VS	$V_S = 16\text{V}$, $\Delta I_{LK} = -15\text{mV}$, Out : "ON"			1.2	mA	1
V_{LKT}	Trip voltage	ILK and VB	$V_S = 16\text{V}$, $\Delta V_{ILK} = 60\text{Hz}$		4	9	mVrms	3
I_{MM+}	Sink current	MM	$V_S = 16\text{V}$, $\Delta I_{LK} = 0\text{mV}$ $V_{MN} = 0.8\text{V}$	25	170	370	μA	4
I_{MM-}	Source current	MM	$V_S = 16\text{V}$, $\Delta I_{LK} = -15\text{mV}$ $V_{MN} = 0.8\text{V}$	25	-110	-250	ms	4
t_{MM}	Dead time	MM	$V_S = 16\text{V}$		1.7	4	μA	10
IOU+	Sink current	OUT	$V_S = 16\text{V}$, $\Delta I_{LK} = 0\text{mV}$ $V_{MN} = 0.2\text{V}$		150		μA	5
IOU-	Source current	OUT	$V_S = 16\text{V}$, $\Delta I_{LK} = -15\text{mV}$ $V_{MN} = 0.8\text{V}$	-20	-200		μA	5
				25	-100			
				80	-70			
I_{OUT}	Output pulse width	OUT	$V_S = 16\text{V}$		25	100	ms	10
V_{SM}	Voltage at max. current	VS	$I_S = 3.5\text{mA}$,	25	20	26	V	6
I_{S3}	Power supply current 3	VS	$V_S = 12\text{V}$, $V_{ILK} = 0\text{mV}$ $V_{IBL} = 0\text{V}$, OUT : "OFF"			1	mA	2
I_{S4}	Power supply current 4	VS	$V_S = 12\text{V}$, $V_{ILK} = 0\text{mV}$ $V_{IBL} = 0\text{V}$, OUT : "ON"			1.4	mA	2
V_{BLT}	Trip voltage	IBL	$V_S = 16\text{V}$,		3.7	4.1	V	7
I_{IBL}	Input current	IBL	$V_S = 16\text{V}$, $V_{IBL} = 4.5\text{V}$	25		0.8	μA	7
I_{WF+}	Sink current	WF	$V_S = 16\text{V}$, $V_{IBL} = 4.5\text{V}$, $V_{WF} = 0.5\text{V}$	25	1		mA	8
I_{WF-}	Source current	WF	$V_S = 16\text{V}$, $V_{IBL} = 0\text{V}$, $V_{WF} = 0.5\text{V}$	25	-22	-30	μA	8
t_{WF}	Return time	WF	$V_S = 16\text{V}$,		35	70	ms	11
I_{TD+}	Sink current	TD	$V_S = 16\text{V}$, $V_{IBL} = 0\text{V}$, $V_{TD} = 0.5\text{V}$	25	1		mA	9
I_{TD-}	Source current	TD	$V_S = 16\text{V}$, $V_{IBL} = 4.5\text{V}$, $V_{TD} = 0.5\text{V}$	25	-22	-30	μA	9
t_{DT}	Delay time	TD	$V_S = 16\text{V}$,		200	420	ms	12

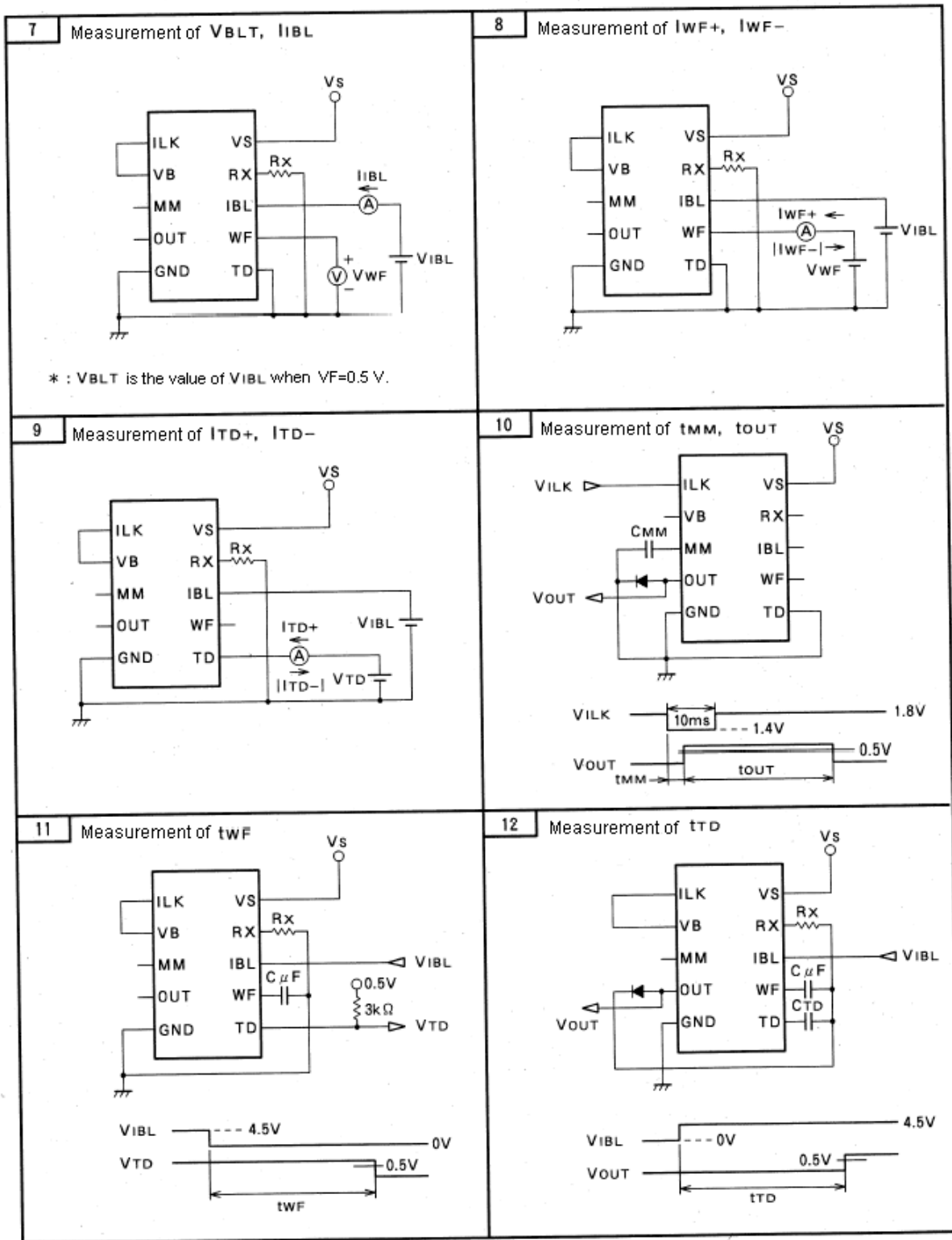
Application Circuit Example



Measurement Circuits

(unless otherwise specified, $C_{MM} = 0.22 \mu\text{F}$, $C_{WF} = 1 \mu\text{F}$, $C_{TD} = 6.8 \mu\text{F}$, $R_X = 27 \text{k}\Omega$)



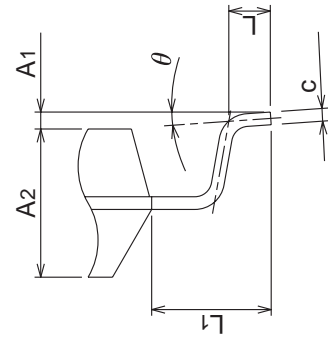
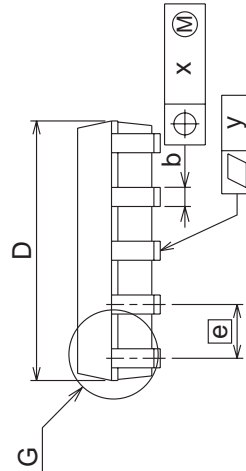
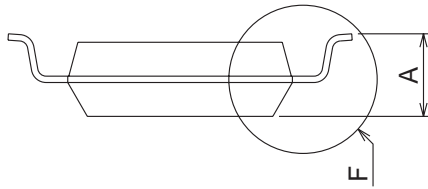
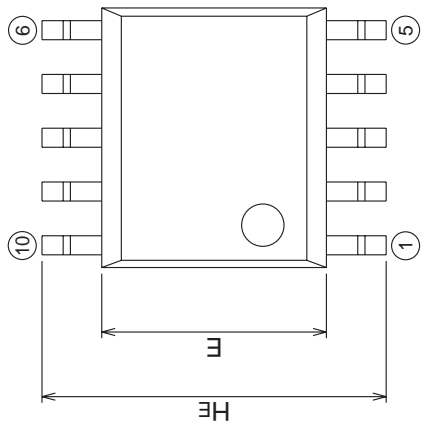


Package Dimensions

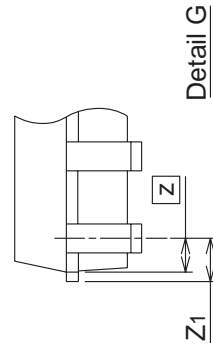
10P2-C

Plastic 10pin 300mil SOP

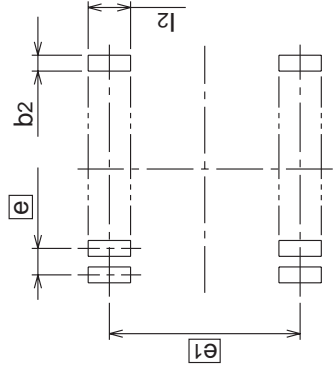
EIAJ Package Code SOP10-P-300-1.27	JEDEC Code -	Weight(g) 0.12	Lead Material Alloy 42/Cu Alloy
---------------------------------------	-----------------	-------------------	------------------------------------



Detail F



Detail G



Recommended Mount Pad

Symbol	Dimension in Millimeters		
	Min	Norm	Max
A	-	-	2.15
A1	0.05	-	-
A2	-	1.75	-
b	0.4	0.45	0.55
c	0.13	0.15	0.2
D	5.93	6.13	6.33
E	5.1	5.3	5.5
e	-	1.27	-
HE	7.82	8.12	8.42
L	0.3	0.5	0.7
L1	-	0.41	-
Z	-	0.525	-
Z1	-	-	0.675
x	-	-	0.25
y	-	-	0.1
theta	0°	-	10°
b2	-	0.76	-
e1	-	7.62	-
l2	-	1.27	-

RENESAS Technology Corp. Sales Strategic Planning Div. Nippon Bldg., 2-6-2, Ohte-machi, Chiyoda-ku, Tokyo 100-0004, Japan

Keep safety first in your circuit designs!

1. Renesas Technology Corp. puts the maximum effort into making semiconductor products better and more reliable, but there is always the possibility that trouble may occur with them. Trouble with semiconductors may lead to personal injury, fire or property damage.
Remember to give due consideration to safety when making your circuit designs, with appropriate measures such as (i) placement of substitutive, auxiliary circuits, (ii) use of nonflammable material or (iii) prevention against any malfunction or mishap.

Notes regarding these materials

1. These materials are intended as a reference to assist our customers in the selection of the Renesas Technology Corp. product best suited to the customer's application; they do not convey any license under any intellectual property rights, or any other rights, belonging to Renesas Technology Corp. or a third party.
2. Renesas Technology Corp. assumes no responsibility for any damage, or infringement of any third-party's rights, originating in the use of any product data, diagrams, charts, programs, algorithms, or circuit application examples contained in these materials.
3. All information contained in these materials, including product data, diagrams, charts, programs and algorithms represents information on products at the time of publication of these materials, and are subject to change by Renesas Technology Corp. without notice due to product improvements or other reasons. It is therefore recommended that customers contact Renesas Technology Corp. or an authorized Renesas Technology Corp. product distributor for the latest product information before purchasing a product listed herein.
The information described here may contain technical inaccuracies or typographical errors.
Renesas Technology Corp. assumes no responsibility for any damage, liability, or other loss rising from these inaccuracies or errors.
Please also pay attention to information published by Renesas Technology Corp. by various means, including the Renesas Technology Corp. Semiconductor home page (<http://www.renesas.com>).
4. When using any or all of the information contained in these materials, including product data, diagrams, charts, programs, and algorithms, please be sure to evaluate all information as a total system before making a final decision on the applicability of the information and products. Renesas Technology Corp. assumes no responsibility for any damage, liability or other loss resulting from the information contained herein.
5. Renesas Technology Corp. semiconductors are not designed or manufactured for use in a device or system that is used under circumstances in which human life is potentially at stake. Please contact Renesas Technology Corp. or an authorized Renesas Technology Corp. product distributor when considering the use of a product contained herein for any specific purposes, such as apparatus or systems for transportation, vehicular, medical, aerospace, nuclear, or undersea repeater use.
6. The prior written approval of Renesas Technology Corp. is necessary to reprint or reproduce in whole or in part these materials.
7. If these products or technologies are subject to the Japanese export control restrictions, they must be exported under a license from the Japanese government and cannot be imported into a country other than the approved destination.
Any diversion or reexport contrary to the export control laws and regulations of Japan and/or the country of destination is prohibited.
8. Please contact Renesas Technology Corp. for further details on these materials or the products contained therein.



RENESAS SALES OFFICES

<http://www.renesas.com>

Renesas Technology America, Inc.
450 Holger Way, San Jose, CA 95134-1368, U.S.A
Tel: <1> (408) 382-7500 Fax: <1> (408) 382-7501

Renesas Technology Europe Limited.
Dukes Meadow, Millboard Road, Bourne End, Buckinghamshire, SL8 5FH, United Kingdom
Tel: <44> (1628) 585 100, Fax: <44> (1628) 585 900

Renesas Technology Europe GmbH
Dornacher Str. 3, D-85622 Feldkirchen, Germany
Tel: <49> (89) 380 70 0, Fax: <49> (89) 929 30 11

Renesas Technology Hong Kong Ltd.
7/F., North Tower, World Finance Centre, Harbour City, Canton Road, Hong Kong
Tel: <852> 2265-6688, Fax: <852> 2375-6836

Renesas Technology Taiwan Co., Ltd.
FL 10, #99, Fu-Hsing N. Rd., Taipei, Taiwan
Tel: <886> (2) 2715-2888, Fax: <886> (2) 2713-2999

Renesas Technology (Shanghai) Co., Ltd.
26/F., Ruijin Building, No.205 Maoming Road (S), Shanghai 200020, China
Tel: <86> (21) 6472-1001, Fax: <86> (21) 6415-2952

Renesas Technology Singapore Pte. Ltd.
1, Harbour Front Avenue, #06-10, Keppel Bay Tower, Singapore 098632
Tel: <65> 6213-0200, Fax: <65> 6278-8001