

PLEASE CHECK WWW.MOLEX.COM FOR LATEST PART INFORMATION

Part Number: **0192060008**
Status: **Active**
Description: InsulKrimp™ Parallel Splice for 10-12 AWG Wire

Documents:

[Drawing \(PDF\)](#) [RoHS Certificate of Compliance \(PDF\)](#)

Agency Certification

CSA LR18689
 UL E32244

General

Product Family Splices
 Series [19206](#)
 Crimp Quality Equipment Yes
 Mil-Spec N/A
 Product Name InsulKrimp™, Parallel

Physical

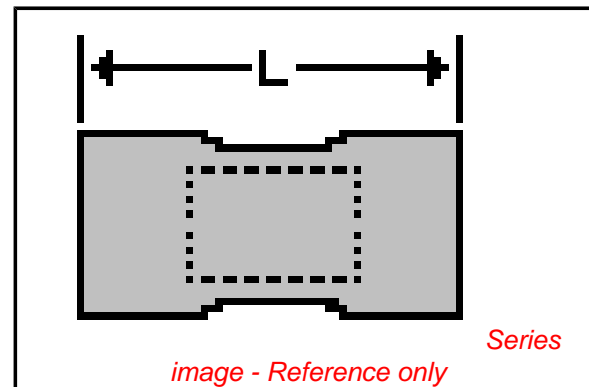
Barrel Type Closed
 Color - Resin Natural
 Flammability 94V-0
 Insulation PVC
 Material - Metal Copper
 Material - Resin PVC
 Packaging Type Bag
 Wire Insulation Diameter 6.60mm (.260") max.
 Wire Size AWG 10, 12

Material Info

Old Part Number C-203X

Reference - Drawing Numbers

Sales Drawing SD-19206-002



EU RoHS

**ELV and RoHS
 Compliant**
REACH SVHC
 Not Reviewed
**Halogen-Free
 Status**

China RoHS



**Need more information on product
 environmental compliance?**

Email productcompliance@molex.com
 For a multiple part number RoHS Certificate of
 Compliance, [click here](#)

Please visit the [Contact Us](#) section for any
 non-product compliance questions.

Search Parts in this Series

[19206Series](#)

Application Tooling | [FAQ](#)

*Tooling specifications and manuals are
 found by selecting the products below.
 Crimp Height Specifications are then
 contained in the Application Tooling
 Specification document.*

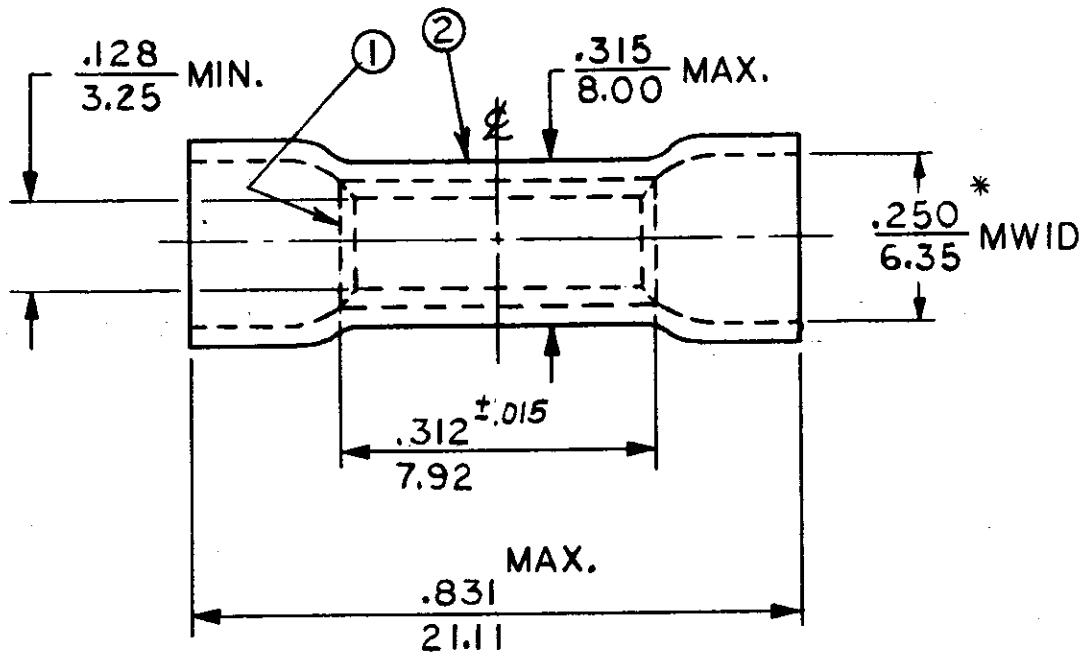
Global

Description	Product #
Hand Crimp Tool	0640010100
Hand Crimp Tool	0640010300
Crimp Head for the AT-200™ Pneumatic Hand Tool	0640050100
Crimp Head for the AT-200™ Pneumatic Hand Tool	0640050300

FILE NO.

REVISIONS

LTR. D.C.N. NO. OR CHANGE BY DATE



NOTES :

- ① MAT'L : COPPER (STOCK THICKNESS $\frac{.040^{+.001}}{1.02}$)
 PLATING : ELECTRO-TIN (.0003 MIN.)
 ② INSULATION : VINYL (YELLOW)

* MWID = MAX. WIRE INSULATION DIAMETER
 ALL DIMENSIONS = $\frac{\text{INCHES}}{\text{MM}}$

WIRE SIZE : 12-10 AWG
 4.0-6.0 MM²

DIMENSIONAL TOLERANCES
 UNLESS OTHERWISE SPECIFIED

REFERENCE

SCALE: NTS

DATE

TITLE:

FRAC. DEC. ANG.

DRWN. BY: *fo* 10-24-84

PARALLEL CONNECTOR

± ± ±

CHKD. BY: 67 10-24-84

INSULKRIMP

APPRD. BY:

P/N C-203X

ETC molex
 INCORPORATED

DWG. NO.

A

CUSTOMER
 DWG.