



# TAI-SAW TECHNOLOGY CO., LTD.

No. 3, Industrial 2nd Rd., Ping-Chen Industrial District,  
Taoyuan, 324, Taiwan, R.O.C.

TEL: 886-3-4690038 FAX: 886-3-4697532

E-mail: [tstsales@mail.taisaw.com](mailto:tstsales@mail.taisaw.com) Web: [www.taisaw.com](http://www.taisaw.com)

## Approval Sheet For Product Specification

Issued Date:

Product Name: SAW Filter 869 MHz SMD 3.8x3.8 mm

TST Parts No.: TA1018A

Customer Parts No.: \_\_\_\_\_

Company: _____
Division: _____
Approved by : _____
Date: _____

Checked by: David Chang 張閱智

Approval by: Francis Chen 陳其仁

Date: 2009/03/26



# TAI-SAW TECHNOLOGY CO., LTD.

No. 3, Industrial 2nd Rd., Ping-Chen Industrial District,  
Taoyuan, 324, Taiwan, R.O.C.

TEL: 886-3-4690038 FAX: 886-3-4697532

E-mail: [tstsales@mail.taisaw.com](mailto:tstsales@mail.taisaw.com) Web: [www.taisaw.com](http://www.taisaw.com)

## SAW Filter 869 MHz

MODEL NO.: TA1018A

REV. NO.:1

### A. MAXIMUM RATING:

1. Input Power Level: 10 dB<sub>m</sub>
2. DC voltage: 5 V
3. Operating Temperature: -10°C to +60°C
4. Storage Temperature: -40°C to +85°C

RoHS Compliant  
Lead free  
Lead-free soldering

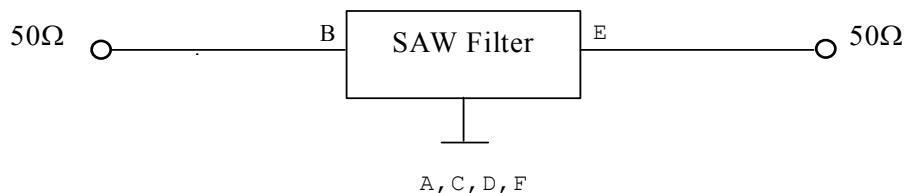
### B. ELECTRICAL CHARACTERISTICS:

Item	Unit	Min.	Type.	Max.
Center frequency Fc	MHz	-	869	-
Insertion Loss 868~870 MHz IL	dB	-	2.4	3.0
Amplitude ripple 868~870 MHz	dB	-	0.9	1.0
VSWR 868 ~ 870 MHz	-	-	1.7	2.2
Attenuation:(Reference level from 0 dB)				
0.3 ~ 846.4 MHz	dB	40	48	-
846.4 ~ 853.5 MHz	dB	20	28	-
884 ~ 898 MHz	dB	20	25	-
898 ~ 1200 MHz	dB	40	50	-
1200 ~ 2000 MHz	dB	40	44	-
Source impedance Zs	Ω	-	50	-
Load impedance ZL	Ω	-	50	-

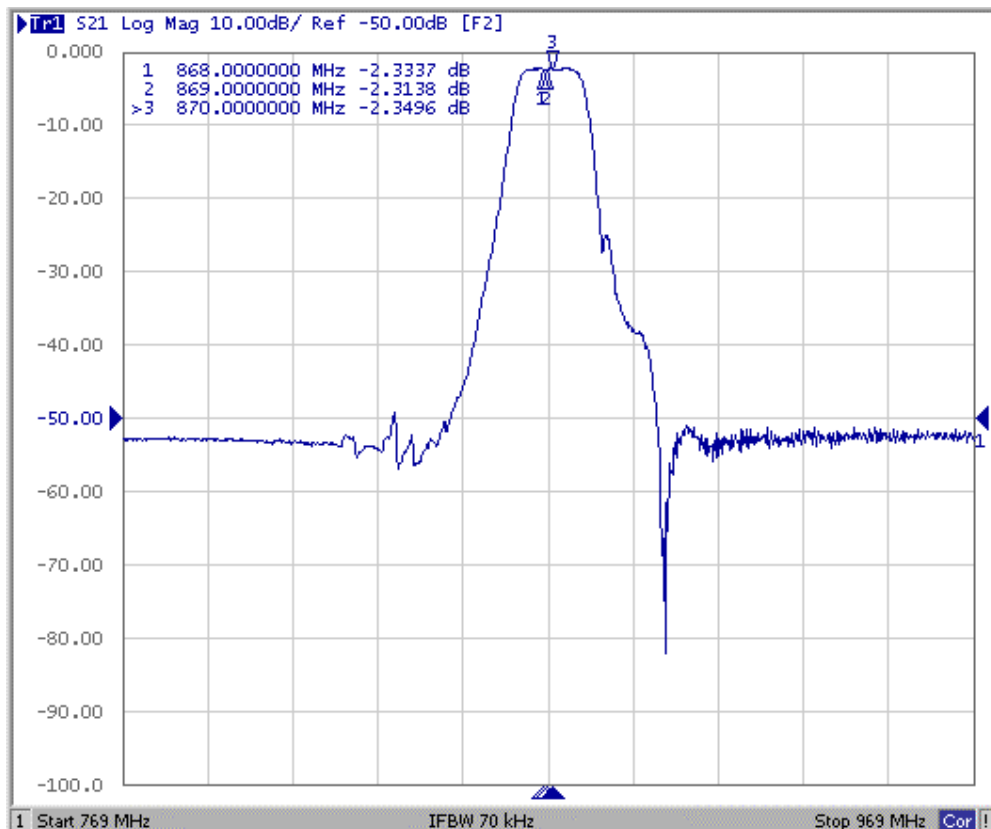
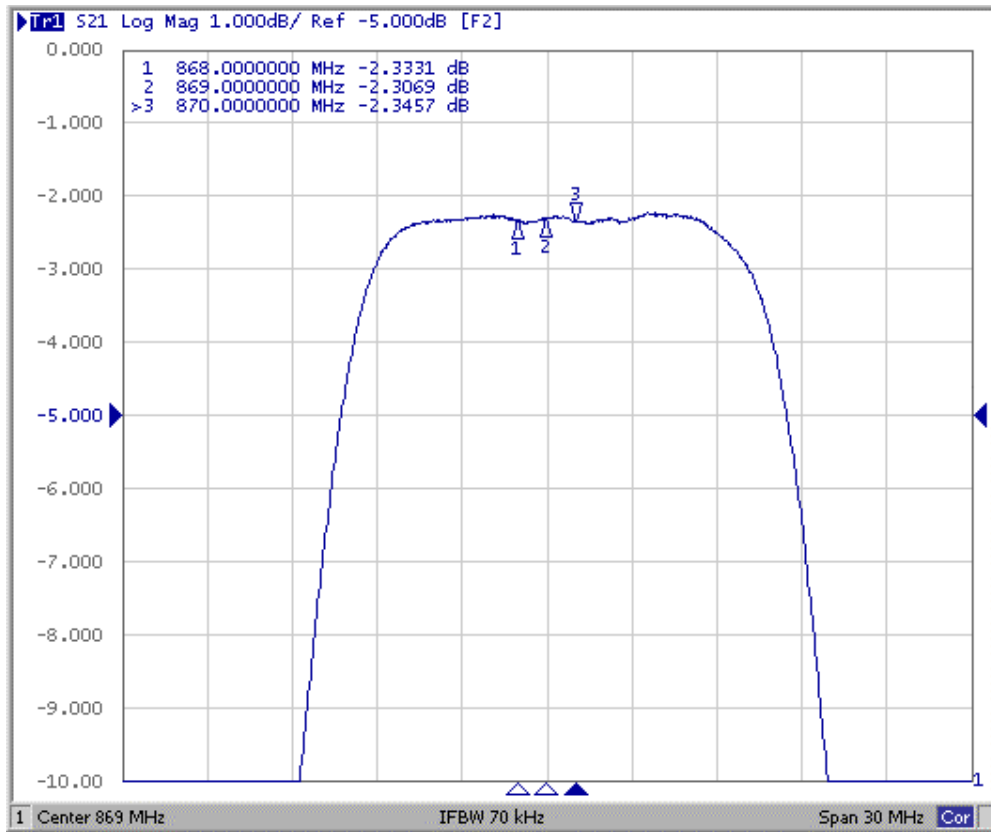
Note1: No matching network required for operation at 50 Ω.

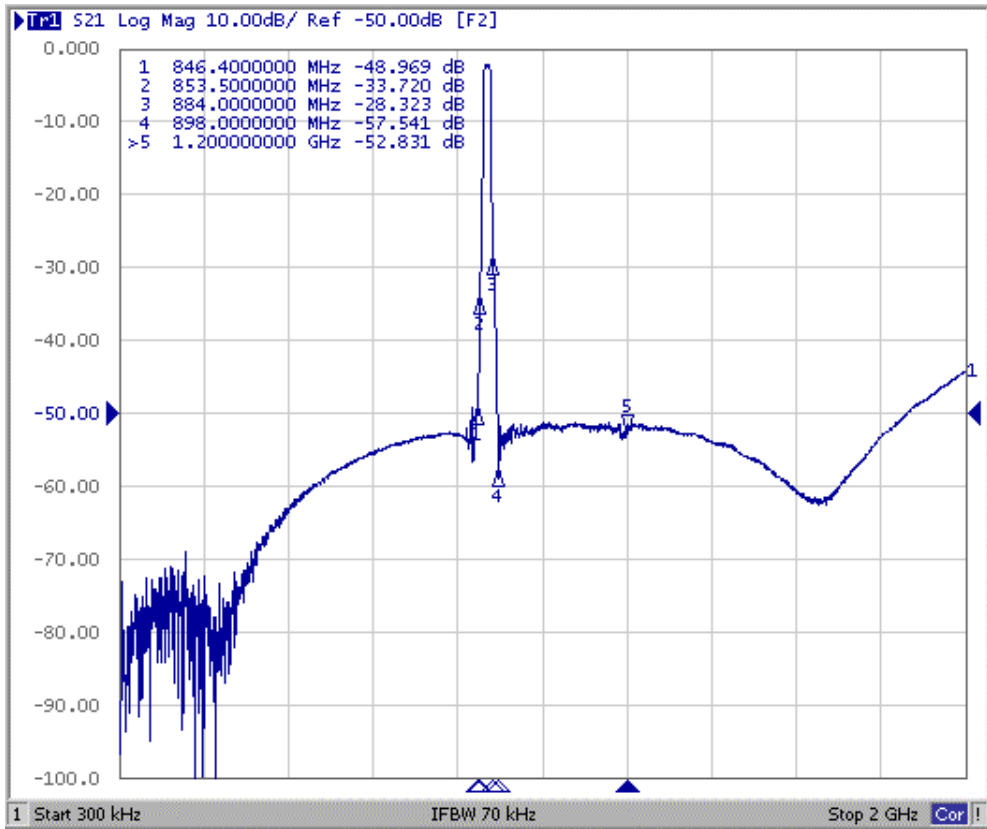
### C. MEASUREMENT CIRCUIT:

HP Network analyzer

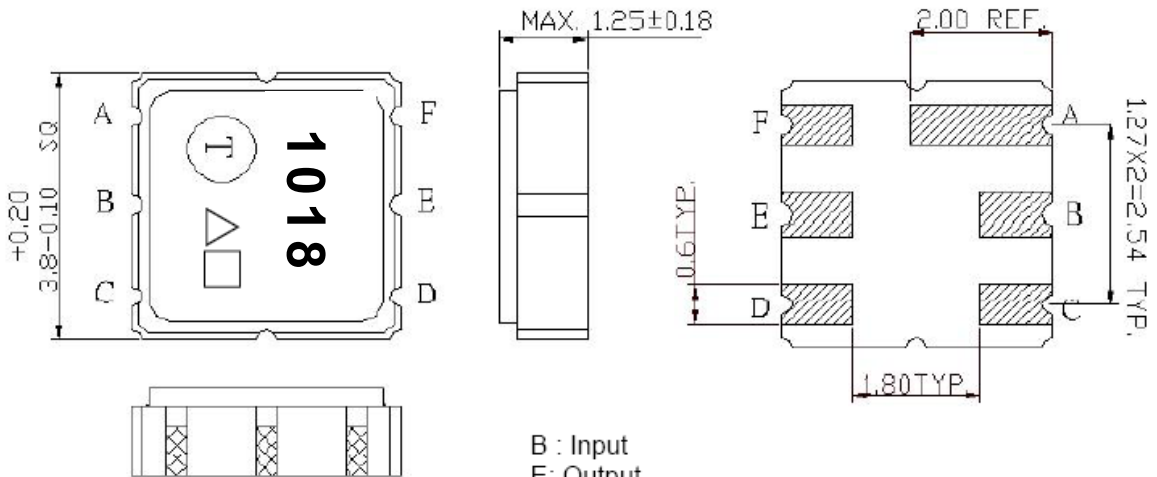


## D. Frequency Characteristics :





**E.OUTLINE DRAWING:**

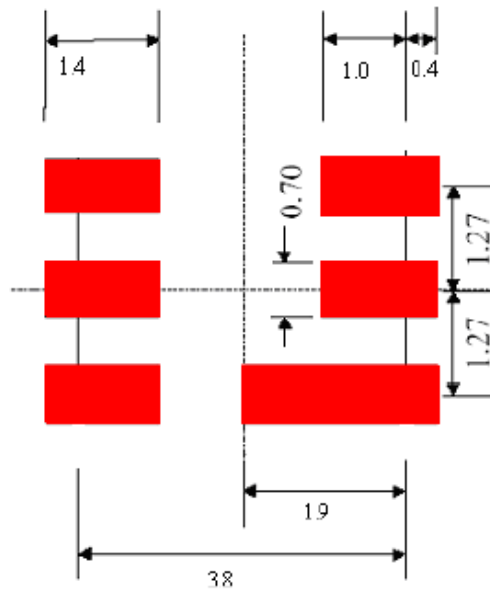


B : Input  
 E: Output  
 A,C,D,F Ground  
 △:Year Code  
 □: Date Code(Follow the table provided by planner each year.)  
 Unit: mm

△ Product Year Code

Year	2005 2007 2009	2006 2008 2010
Product Code	A	a

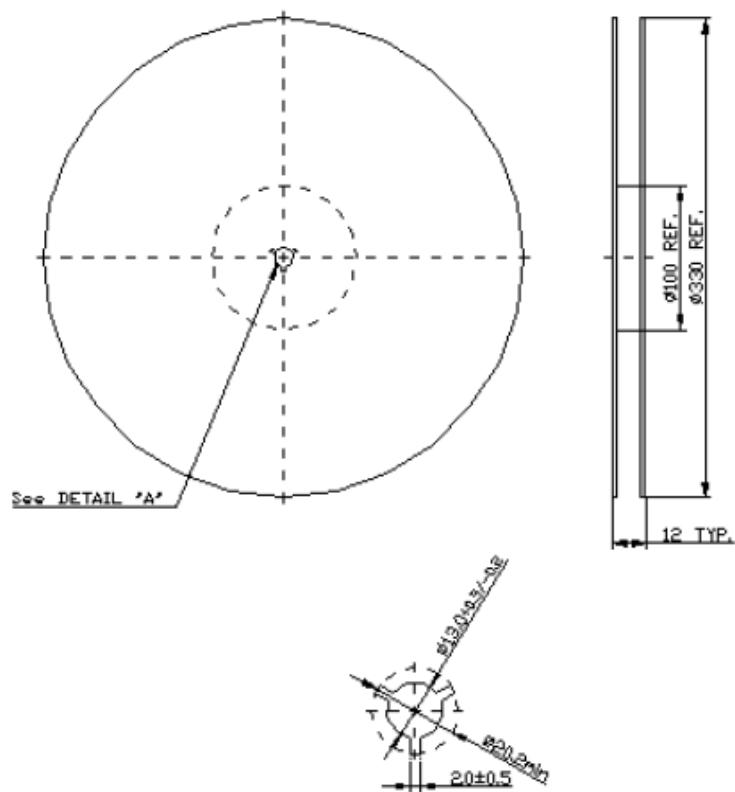
**F. PCB FOOTPRINT:**



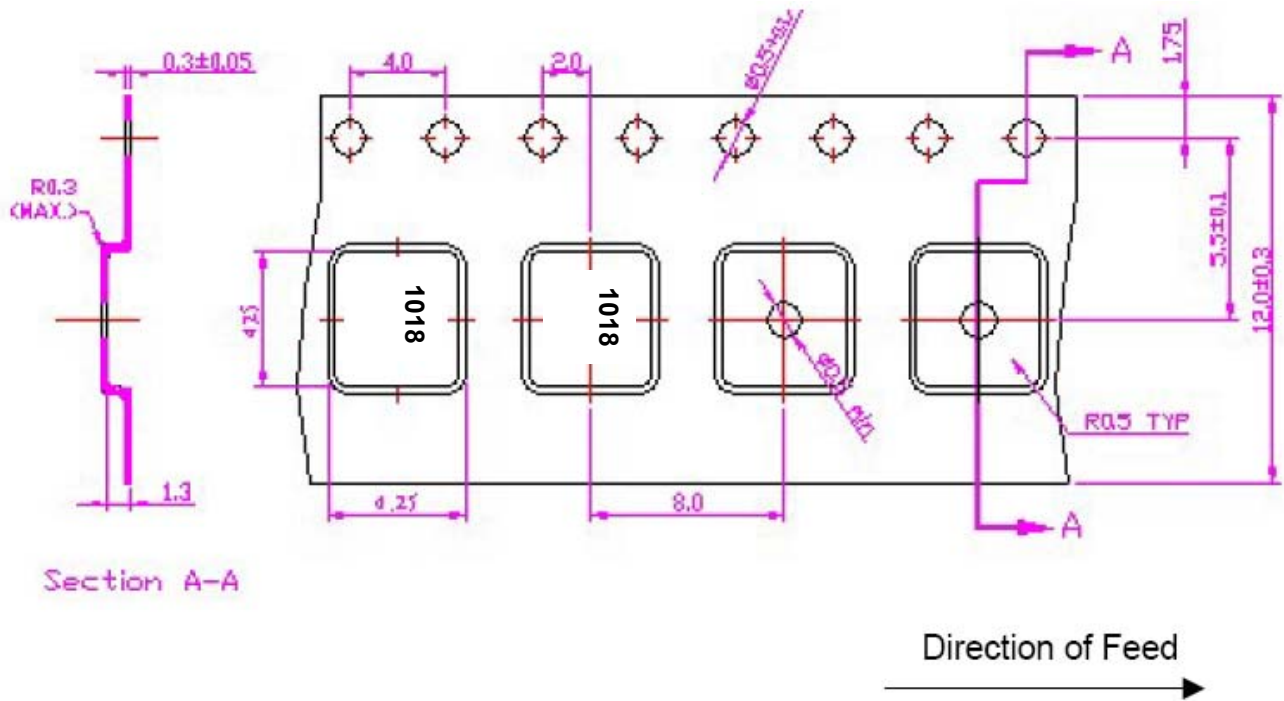
**G. PACKING:**

1. REEL DIMENSION

(Reel Count : 7"=1000 ; 13"=3000 or per the request of customer order)



## 2. TAPE DIMENSION



## H. RECOMMENDED REFLOW PROFILE :

