



TAI-SAW TECHNOLOGY CO., LTD.

No. 3, Industrial 2nd Rd., Ping-Chen Industrial District,
Taoyuan, 324, Taiwan, R.O.C.

TEL: 886-3-4690038 FAX: 886-3-4697532

E-mail: tstsales@mail.taisaw.com Web: www.taisaw.com

Approval Sheet For Product Specification

Issued Date:

Product Name: IF SAW Filter 110.592 MHz (SMD 7.0mmX5.0mm)

TST Parts No.:TB0603A

Customer Parts No.:_____

Company: _____
Division: _____
Approved by : _____
Date: _____

Checked by: _____ Andy Lee

Approval by: _____ Francis Chen

Date: _____ 2007/12/28



TAI-SAW TECHNOLOGY CO., LTD.

No. 3, Industrial 2nd Rd., Ping-Chen Industrial District,
Taoyuan, 324, Taiwan, R.O.C.

TEL: 886-3-4690038 FAX: 886-3-4697532

E-mail: tstsales@mail.taisaw.com Web: www.taisaw.com

IF SAW Filter 110.592MHz SMD 7.0X5.0mm

MODEL NO.: TB0603A

Rev. No.1

A. Maximum Rating:

1. Operating Temperature: -40 °C ~ +85 °C
2. Storage Temperature: -40 °C ~ +85 °C
3. Input Power Level: 10dBm

RoHS Compliant
Lead free
Lead-free soldering

B. Characteristics :

1. Ambient Temperature: 25 °C
2. Terminating Source Impedance: Single ended 50 ohm
3. Terminating Load Impedance: Single ended 50 ohm

Item	Unit	Min.	Type.	Max.
Center frequency, Fc	MHz	-	110.592	-
Insertion Loss, IL	dB	-	8.6	10
3 dB Bandwidth	MHz	1.152	1.44	-
Group Delay Variation Fc ± 0.576	nsec	-	150	200
Rejection				
DC to Fc-3.4MHz		38	42	-
Fc-3.4MHz to Fc-1.728MHz	dB	28	42	-
Fc+1.728MHz to Fc+3.4MHz		28	34	-
Fc+3.4MHz to 200MHz		38	42	-

C. Frequency Characteristics :

1. S21 Response

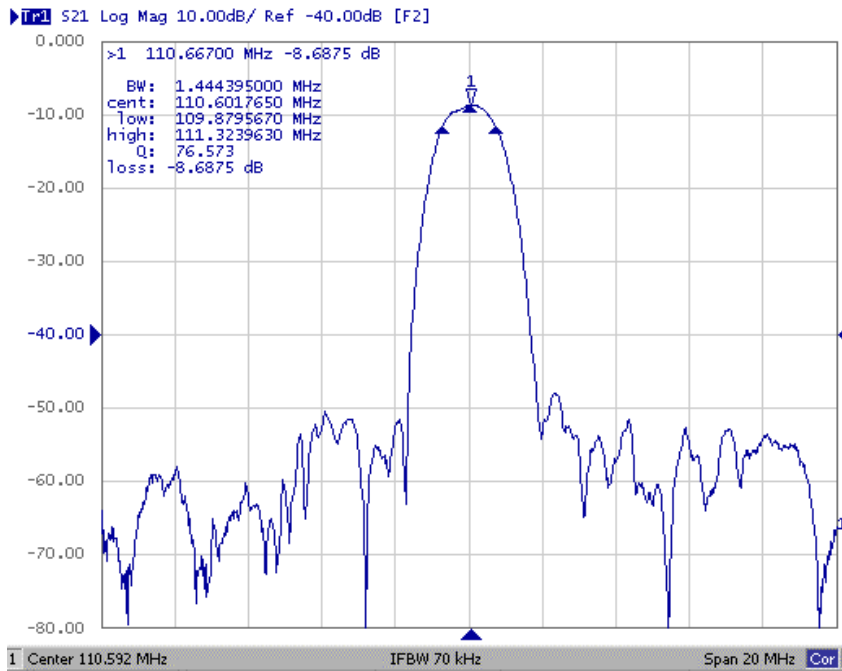


Fig. 1 Horizontal: 2MHz/Div; Vertical: 10dB/Div

2. Passband Response

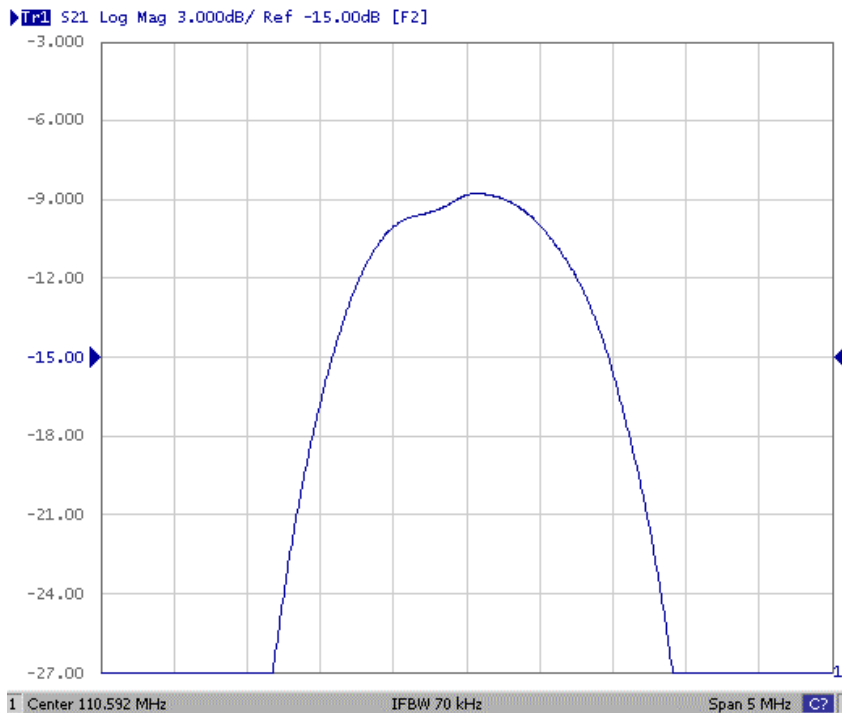


Fig. 2 Passband Horizontal: 0.5MHz/Div; Vertical: 3dB/Div

3. Group Delay

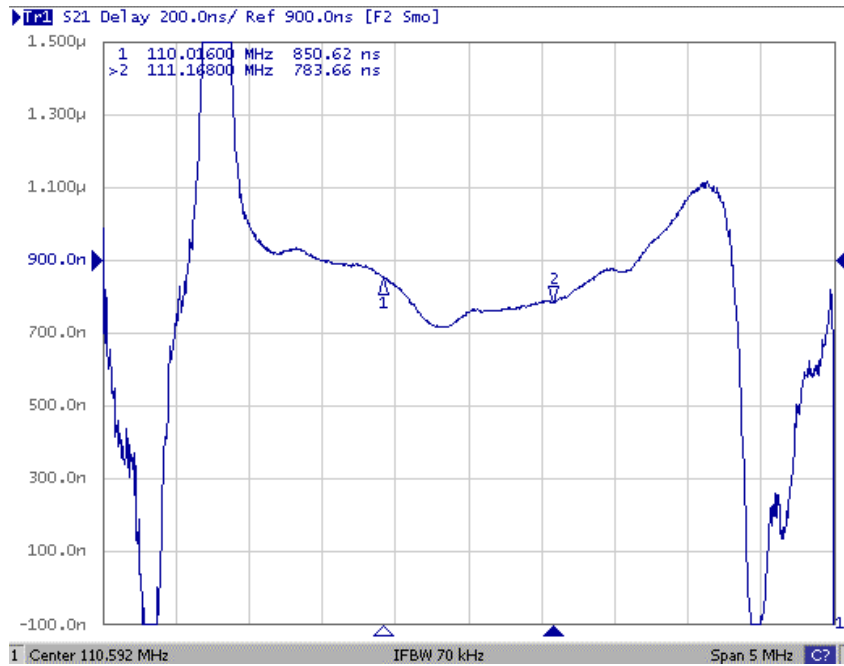
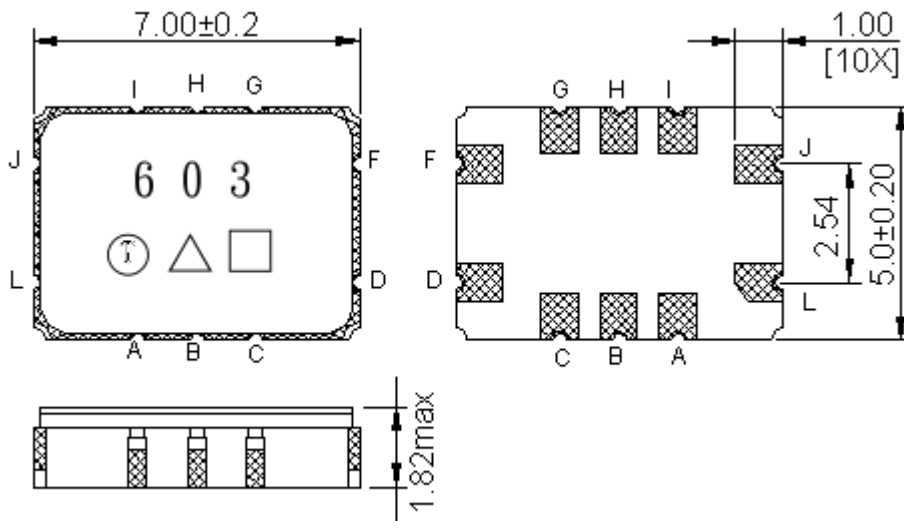


Fig. 3 Passband Horizontal: 0.5MHz/Div; Vertical: 200nS/Div

D. Outline Drawing:



Pin configuration

#J RF Input

#L RF Input ground

#D RF Output

#F RF Output ground

#A,B,C,G,H,I To be ground

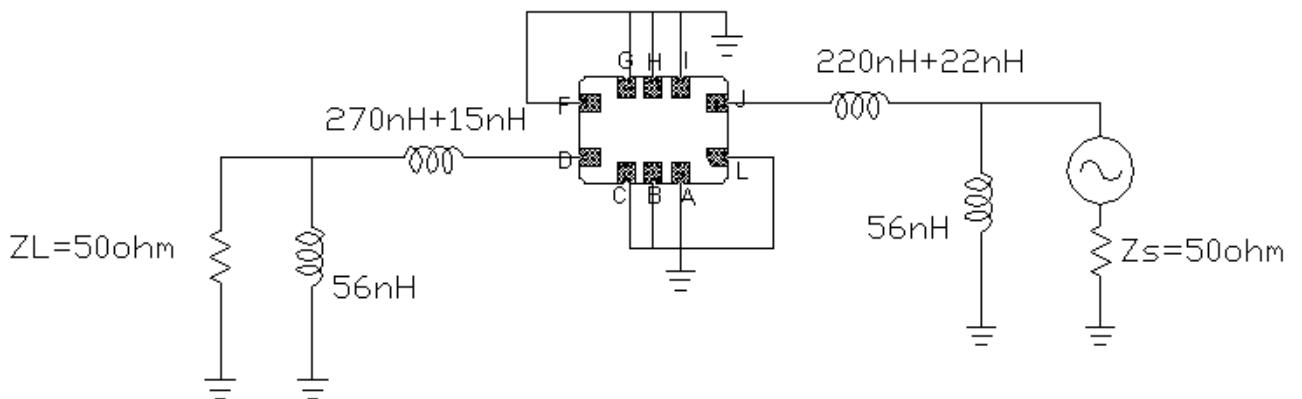
□ : Week Code (Follow the table from planner each year)

△ : Product / Year Code

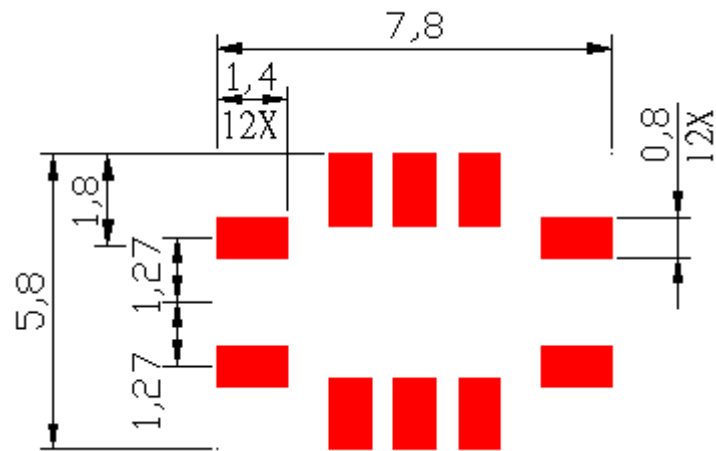
Unit : mm

Year	2005 2009	2006 2010	2007 2011	2008 2012
Product Code	B	b	<u>B</u>	<u>b</u>

E. Measurement Circuit:

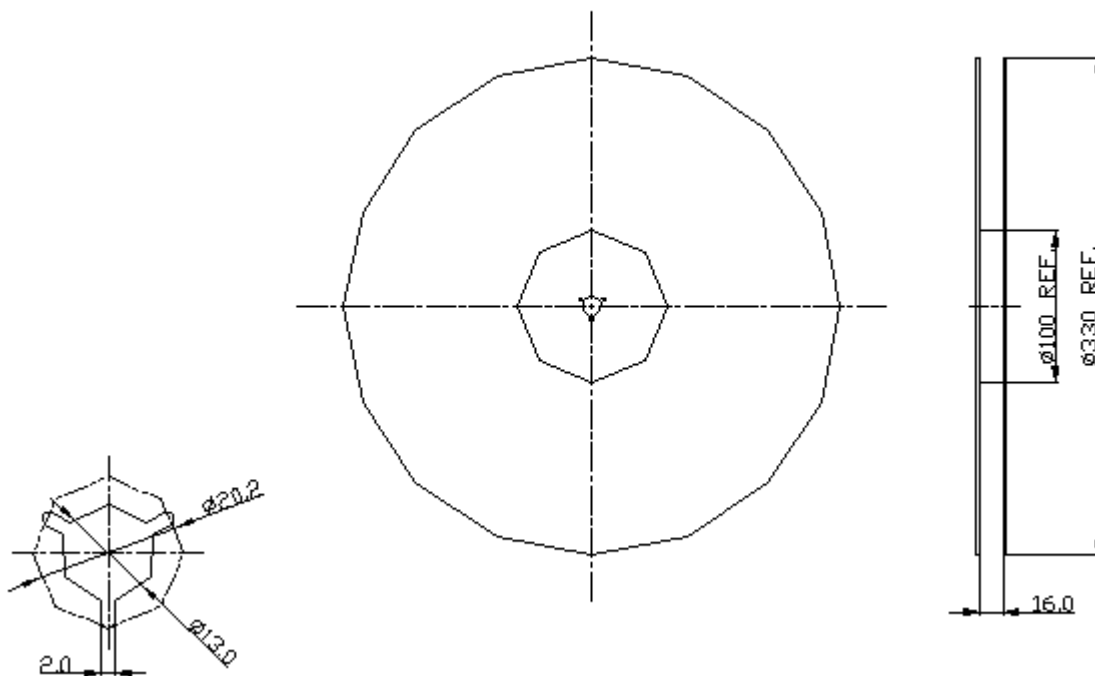


F. PCB Footprint

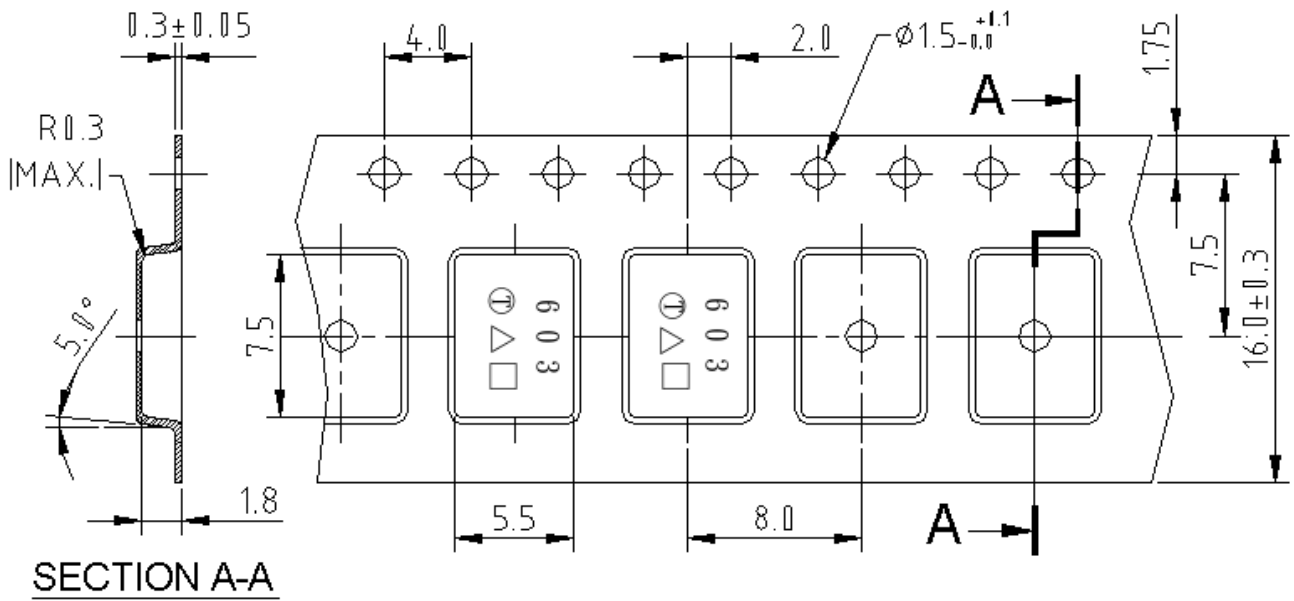


G. Package:

1. REEL DIMENSION



2. TAPE DIMENSION



H. Recommended Reflow Profile :

