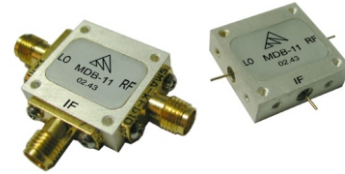


Features

- LO drive level : +10dBm(Typ)
- LO&RF frequency range:2.6~6.0GHz
- Low Conversion loss , High isolation
- 50 Ω impedance matching High reliability
- Removable SMA connectors
- Operating temperature range:-55°C~+85°C

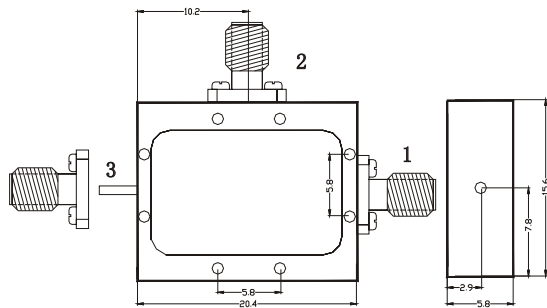


Specifications (measured in a 50 Ω system, T_A=25°C)

Parameter		Symbol	Unit	Guaranteed	Typical
Frequency Range	LO&RF	f	GHz	2.6~6.0	2.6~6.0
	IF			DC~1.0	DC~1.0
Conversion Loss		C.L	dB	7.0(2.0~4.0GHz)	6.0(2.0~4.0GHz)
				8.0(4.0~6.0GHz)	7.0(4.0~6.0GHz)
Iso	LO-RF	Iso	dB	35(2.0~3.0GHz)	40(2.0~3.0GHz)
	LO-IF			20(3.0~6.0GHz)	25(3.0~6.0GHz)
	RF-IF			16(2.0~6.0GHz)	20(2.0~6.0GHz)
1dB Compression point		P ₋₁	dBm	2	4
Input Intercept 3 rd Order point		IP3	dBm	—	13

Absolute Maximum Ratings

RF Input Power : +17dBm Storage Temp:+125°C



Pin connection :
 1. LO
 2. IF
 3. RF
 Metal case is ground

MDB-11

Application Notes :

1. LO drive level : +10dBm(Typ)
2. Input/output pin should be connected to 50 Ω microstrip.
3. The bottom should be placed as close to ground as possible for better RF grounding

Typical Performance

