

# Vertical Mount 10/100 BASE-T RJ45 Jack With Magnetic Module



## N5436



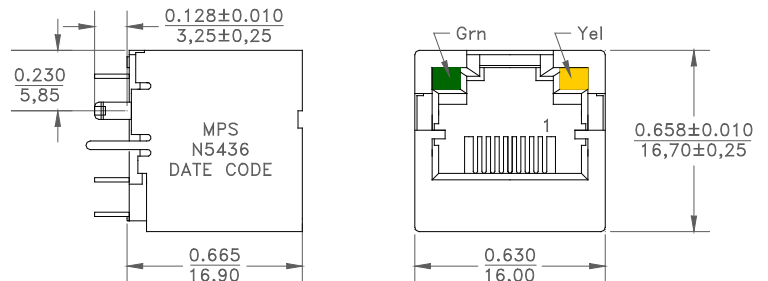
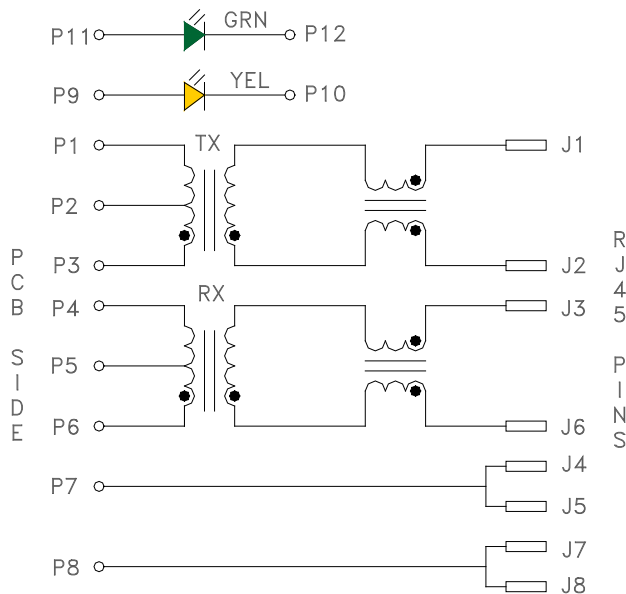
- Space saving vertical mount configuration
- Available with a variety of internal magnetic filter designs to support all PHYs
- Available with or without LEDs
- RoHS Compliant Product
- Hipot: 1500V<sub>RMS</sub>
- Custom design and configuration available upon request

### ELECTRICAL SPECIFICATION @ 25°C

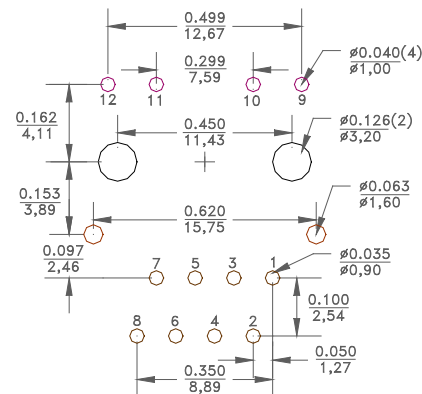
PART NO	TURNS RATIO ±2%		INSERTION LOSS 0.3-100MHz (dB) Max	RETURN LOSS (dB) Typ MHz			CROSS TALK (dB) Typ MHz 1-100	CMR (dB) Typ MHz 1-100
	TX	RX		1-30	30-60	60-100		
	N5436	1CT:1		1CT:1	-1.0	-20		

### Schematic

### Dimension



### Recommended PCB Land Pattern



COMPONENT SIDE VIEW

#### Dimensions

Unless otherwise specified, all tolerances are:  
 inch: .XX : ± 0.015 .XXX : ± 0.004  
 mm: X,X : ± 0,38 X,XX : ± 0,10

Product performance is limited to specified parameter. Data is subject to change without prior notice.

N5436  
0852AL