

PLEASE CHECK WWW.MOLEX.COM FOR LATEST PART INFORMATION

Part Number: [0194290011](#)
Status: **Active**
Overview: [mx150l sealed connector system](#)
Description: MX150L™ 8 Circuit Panel Mount Plug for 14 to 22 AWG Wire, Rear Mount Flange Assembly, without Gasket

Documents:

[3D Model](#) [Product Specification PS-19417-001 \(PDF\)](#)
[Drawing \(PDF\)](#) [RoHS Certificate of Compliance \(PDF\)](#)

Agency Certification

UL E152602

General

Product Family Crimp Housings
 Series [19429](#)
 Comments For Inside Panel Mount Application
 Overview [mx150l sealed connector system](#)
 Product Literature Order No 987650-2181
 Product Name MX150L™

Physical

Circuits (maximum) 8
 Flammability 94V-0
 Gender Male
 Glow-Wire Compliant No
 Lock to Mating Part Yes
 Number of Rows 2
 Packaging Type Bag
 Panel Mount Yes
 Pitch - Mating Interface (in) 0.230 In
 Pitch - Mating Interface (mm) 5.84 mm
 Polarized to Mating Part Yes
 Stackable No
 Temperature Range - Operating -40°C to +125°C

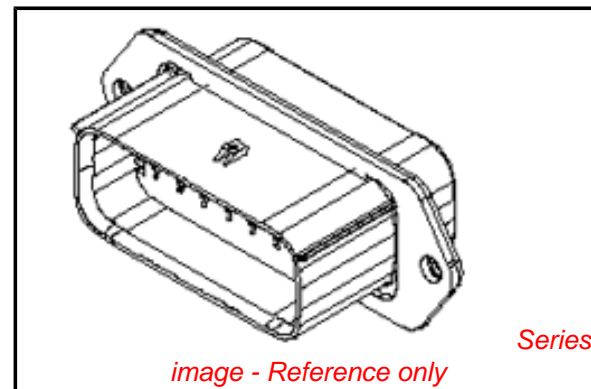
Electrical

Current - Maximum per Contact 18A

Material Info

Reference - Drawing Numbers

Packaging Specification PK-19429-001
 Product Specification PS-19417-001
 Sales Drawing SD-19429-006



EU RoHS

ELV and RoHS Compliant
REACH SVHC
 Not Reviewed
Halogen-Free Status
Not Reviewed

China RoHS



Need more information on product environmental compliance?

Email productcompliance@molex.com
 For a multiple part number RoHS Certificate of Compliance, [click here](#)

Please visit the [Contact Us](#) section for any non-product compliance questions.

Search Parts in this Series

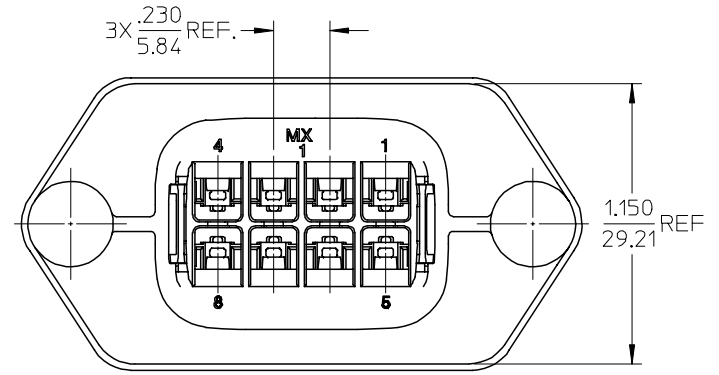
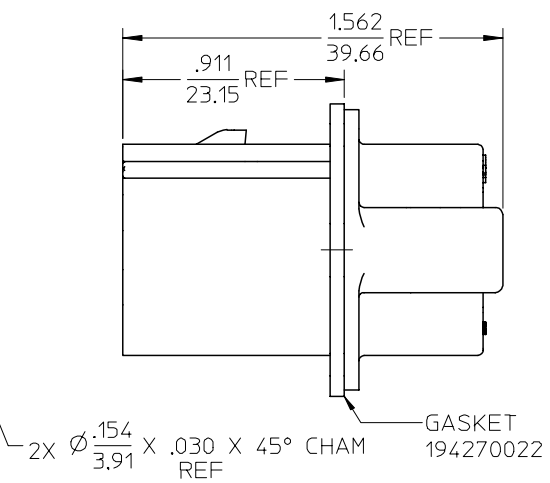
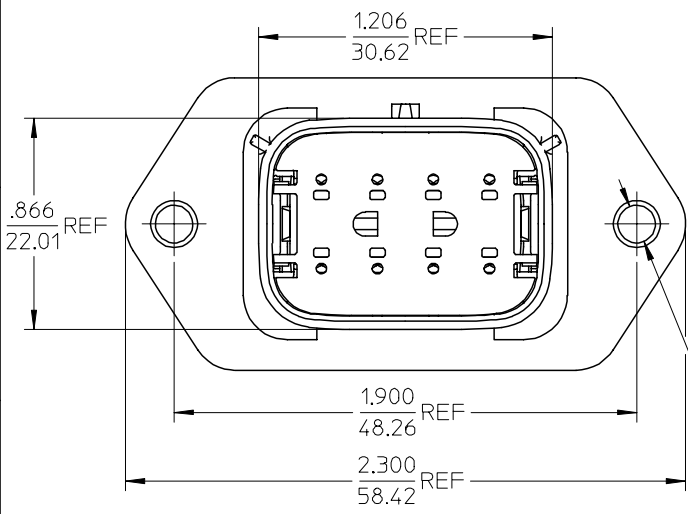
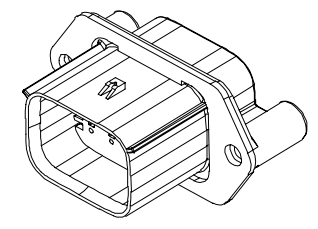
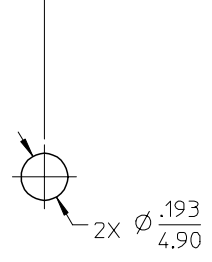
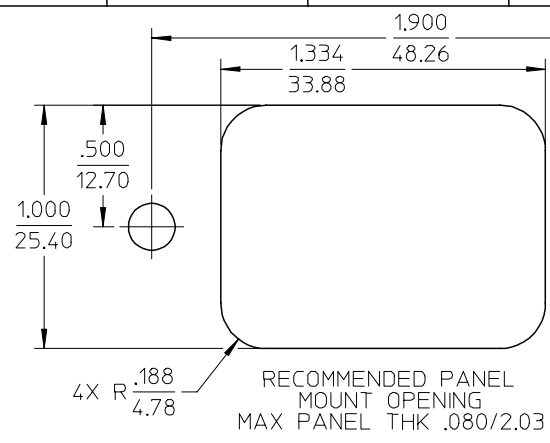
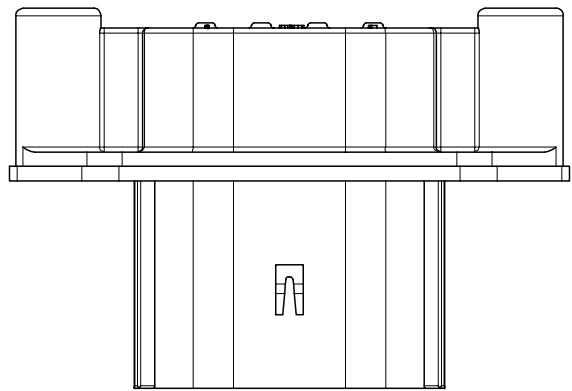
[19429Series](#)

Mates With

[19418 Receptacle Assemblies](#)

Use With

[19417 Male Crimp Terminals](#)



- NOTES:**
1. ASSEMBLY BULK PACKAGED PER PK-19429-001.
 2. USE CONNECTOR WITH MALE CRIMP TERMINAL: SERIES 19417.
 3. RECOMMENDED MOUNTING HARDWARE: (2)#10 X .62/18.9 LONG PLASTIC THREAD CUTTING SCREWS. SUGGESTED SOURCE: ITW SHAKEPROOF INDUSTRIAL BOSSCREW OR EQUIVALENT. RECOMMENDED TORQUE: 15-17 IN-LBS.

EC NO: ETC2005-0118	DRWN:BRUPERT 2005/01/20	CHKD:JPWLICK 2005/01/20	APPR:RDEROSS 2005/01/20
DESCRIPTION			
REV	DESCRIPTION		
A			

QUALITY SYMBOLS	GENERAL TOLERANCES (UNLESS SPECIFIED)	
	mm	INCH
▽ = 0	4 PLACES ± ---	± ---
	3 PLACES ± ---	± .015
	2 PLACES ± 0.38	± ---
	1 PLACE ± ---	± ---
∇ = 0	ANGULAR ± 1 °	
	DRAFT WHERE APPLICABLE	
	MUST REMAIN WITHIN DIMENSIONS	

SCALE 2:1	DESIGN UNITS INCH
DIMENSION STYLE IN/MM	
DRAWN BY DMYRICK	DATE 03/12/08
CHECKED BY JPAWLICK	DATE 03/12/08
APPROVED BY RDEROSS	DATE 03/12/08

194290037	YES
194290011	NO
MATERIAL NUMBER	GASKET
THIRD ANGLE PROJECTION	REVISE ON CAD ONLY
TITLE 8 WAY PLUG PANEL MOUNT ASSEMBLY 22-14 AWG	
MOLEX MOLEX INCORPORATED	
MATERIAL NO. SEE CHART	DOCUMENT NO. SD-19429-006
SHEET NO. 1 OF 1	
THIS DRAWING CONTAINS INFORMATION THAT IS PROPRIETARY TO MOLEX INCORPORATED AND SHOULD NOT BE USED WITHOUT WRITTEN PERMISSION	