

# KR Electronics, Inc.

## General Description

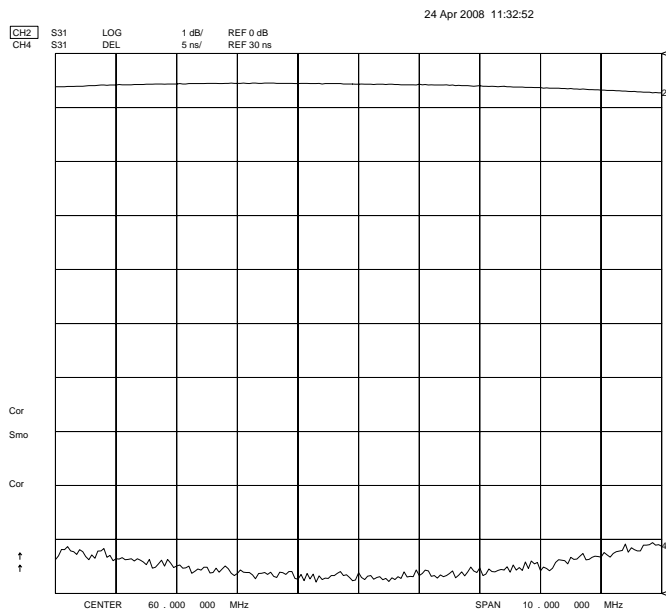
KR 2830 is a 60 MHz surface mount bandpass filter. Other frequencies and bandwidths available. Please consult the factory.

### Features

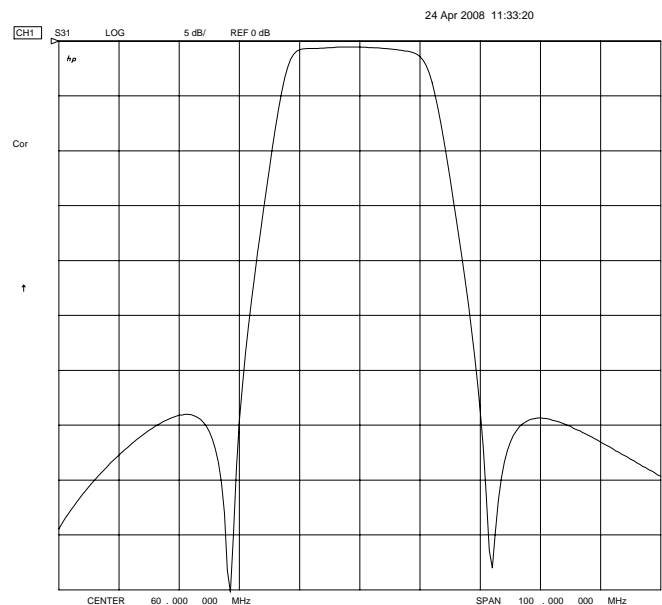
- 60 MHz Bandpass Filter
- Elliptic Response
- Surface Mount Package
- 50  $\Omega$  Source and Load

## Typical Performance

**Passband Amplitude & Group Delay**  
(1 dB/div & 5 nsec/div)



**Overall Response**  
(5 dB/div)



KR Electronics, Inc.  
91 Avenel Street  
Avenel, NJ 07001

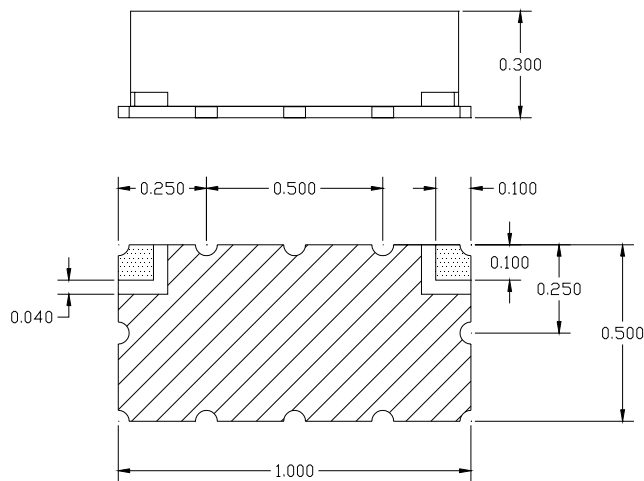
Web [www.krfilters.com](http://www.krfilters.com)  
Email [sales@krfilters.com](mailto:sales@krfilters.com)  
Phone (732) 636-1900  
Fax (732) 636-1982

# KR 2830 Bandpass

## Specifications

Parameter	Specification
Filter type	Bandpass
Center Frequency	60 MHz
1 dB Bandwidth	10 MHz min (21 MHz typical)
Attenuation at 40 MHz	25 dB min
Attenuation at 80 MHz	25 dB min
Source and Load	50 Ω

## Physical Dimensions



**Notes:**

1. Surface mount package — Metal cover, open frame
2. Dimensions in inches
3. Max reflow temperature 209° C for 10 sec
4. If boards are cleaned after installation, units must be completely dried