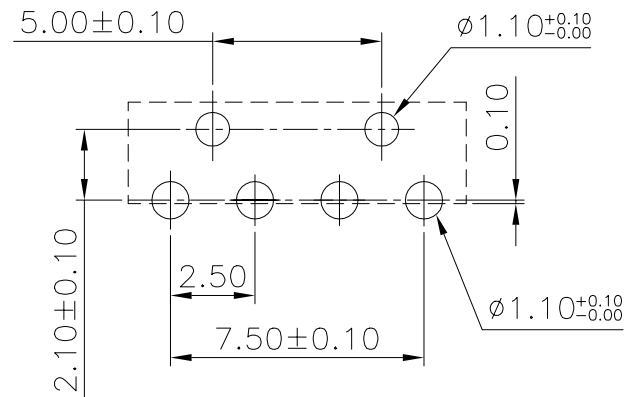
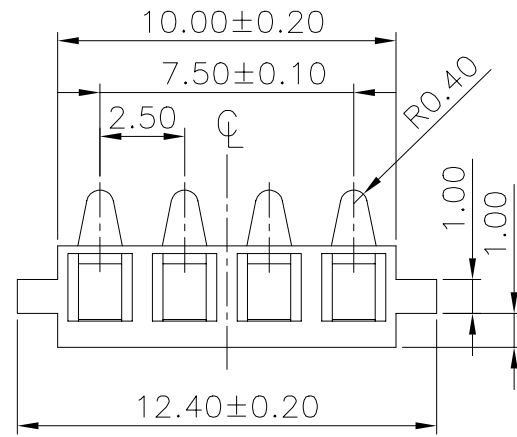
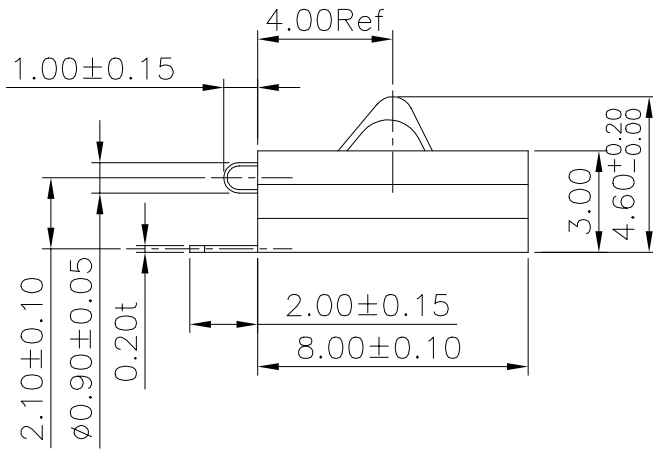


1 Material Specifications :
 1. Plastic Housing : NY-6T UL94V-0
 2. Terminal : Pho. Bronze 5210
 Pating:
 1. Signal Pin :
 Contact Area : 15u" Gold Plating
 Solder Area : 100u"(Min.) Tin Plating
 2. Power Pin : 100u"(Min.) Tin Plating

2 250105MR004 12ZU
 1. Plating
 G1-05U" Gold over nickel
 G2-Indicate Gold flash
 G3-10U" Gold over nickel
 G4-15U" Gold over nickel
 G5-30U" Gold over nickel



2	Terminal	Phos.Bronze	Gold Plated
1	PLASTIC	LCP	Black UL 94V-0
NO. DESCRIPTION		MATERIAL	COLOR REMARK

SUYIN
CONNECTOR

CUSTOMER COPY	TITLE: 2.50mm Pitch Battery Conn
PART NO.	
PART NO.(OLD)	250105MR004GX12ZU
DRAWING NO. <small>D</small> <small>TING</small>	250105MR004GX12ZU
SCALE 4:1	UNIT mm A4

ECN(DCN) NO.	REV	DATE	DESCRIPTION	CHANGE	APPRO.	GENERAL TOLERANCE UNLESS OTHERWISE NOTED	APPRO.
	0		NEW			Angle ±2° 30 ~ ±0.50 10 ~ 30 ±0.30 ~ 10 ±0.15	DRAW DESIGN CHECK