



Ordering number C12362_STRADA-2X2-DWC

Family	Strada-Module	FWHM	Asym degrees
Type	Lens	Efficiency	92 %
LED	XM-L	cd/lm	0.410
Color	Clear	Gerber File	Available
Diameter	50x50 mm		
Height	6 mm		
Style	Square		
Optic Material	PMMA		
Holder Material	-		
Fastening	Screw, pin, glue		
Status	Ready		

Ordering number C12419_STRADA-2X2-A-T

Family	Strada-Module	FWHM	Asym degrees
Type	Lens	Efficiency	93 %
LED	XM-L	cd/lm	0.420
Color	Clear	Gerber File	Available
Diameter	50x50 mm		
Height	7.3 mm		
Style	Rectangular		
Optic Material	PMMA		
Holder Material	-		
Fastening	Screw, pin, glue		
Status	Ready		

Ordering number C12360_STRADA-2X2-DNW

Family	Strada-Module	FWHM	Asym degrees
Type	Lens	Efficiency	93 %
LED	XM-L	cd/lm	0.270
Color	Clear	Gerber File	Available
Diameter	50x50 mm		
Height	11 mm		
Style	Square		
Optic Material	PMMA		
Holder Material	-		
Fastening	Screw, pin, glue		
Status	Ready		

NOTE: The typical divergence will be changed by different color, chip size and chip position tolerance. The typical total divergence is the full angle measured where the luminous intensity is half of the peak value.



PRODUCT DATASHEET Strada-Module series

last update 17/9/2012



GENERAL INFORMATION

- Product series especially designed & optimized for XM-L series of LEDs.
- Special care taken to make light distribution as uniform as possible.
- Lens material optical grade PMMA with high UV and temperature resistance (105 degrees of Celcius / 220 degrees of Fahrenheit). Allows use of high current and temperature conditions.

Please find more information about used material from below:

http://ledil.fi/sites/default/files/Documents/Technical/Material/PMMA%20N%20UL94_Yellow%20Card.pdf

<http://ledil.fi/sites/default/files/Documents/Technical/Material/PMMA%20N%20PLEXIGLAS-Datasheet.pdf>

- Fastening to PCB with appropriate adhesive. By clicking link below you can find Ledil recommended glue options.

http://www.ledil.com/datasheets/DataSheet_GLUES.pdf

NOTE 1: We advise customer to ensure the suitability and sufficiency of the bond in the end product. For example, mechanical stress, vibration and holes on the surface of the circuit board weaken the strength of the glue.

NOTE 2: All surfaces where glue is applied must be clean, dry and free from grease and dirt. If cleaning of PCB surfaces is needed, please follow strictly the cleaning instructions of your LED manufacturer -this is important as cleaning shall under no circumstances damage LEDs or other electronics components on the PCB.

Further note that optical components shall not be cleaned with any chemicals - only micro fiber cloth may be used to remove fingerprints or other traces from handling.

D

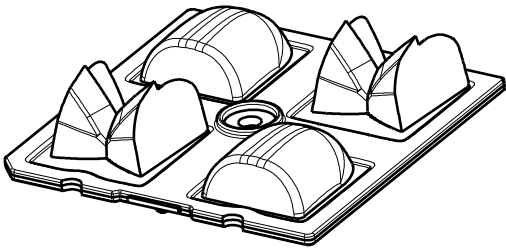
C

B

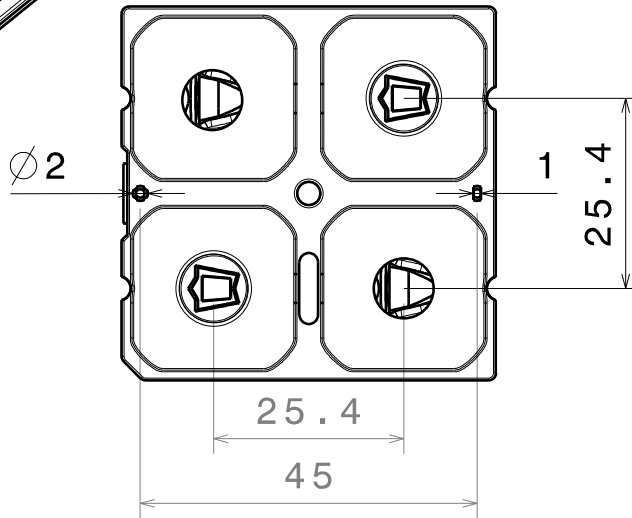
A

4

4



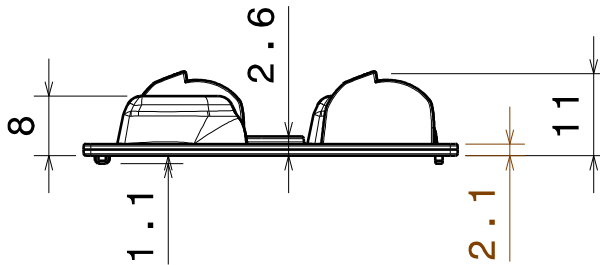
Isometric view



Bottom view

3

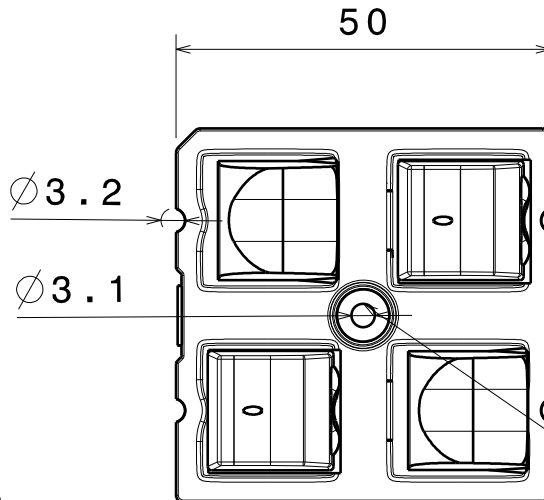
3



Front view

2

2



Top view

Screw hole

Material: PMMA

Tolerances for dimensions:
 0-20mm tolerance value $\pm 0.1\text{mm}$
 21-45mm tolerance value $\pm 0.2\text{mm}$
 46-90mm tolerance value $\pm 0.3\text{mm}$
 91-100mm tolerance value $\pm 0.4\text{mm}$
 101-mm tolerance value $\pm 0.5\text{mm}$

This drawing is our property.
 It can't be reproduced
 or communicated without
 our written agreement.



Ledil Oy
 Salorankatu 10
 FIN-24100 SALO
 Finland

DRAWING TITLE

Datasheet Strada-2x2-DNW

DRAWN BY

ah/mav

DATE

03.02.2012

CHECKED BY

ol

DATE

03.02.2012

SIZE

A4

DRAWING NUMBER

C12360

REV

3

DESIGNED BY

ol

DATE

18.10.2011

SCALE

1:1

WEIGHT (g)

SHEET

1/1

D

A

1

1