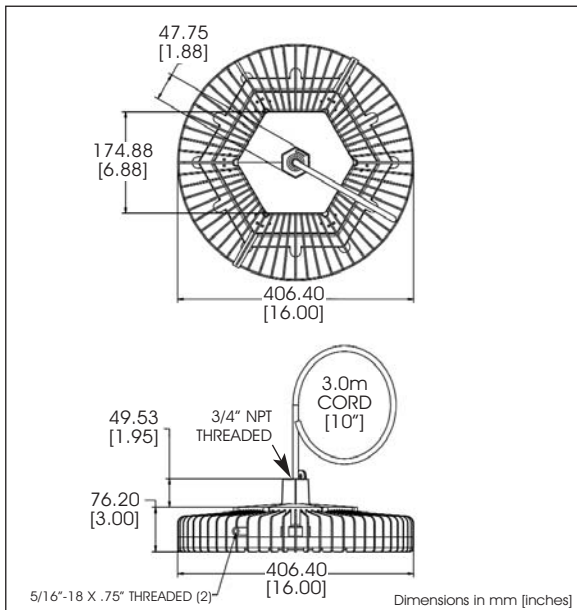




DuroSite® LED High Bay CE Approved - 70°C



Certifications & Ratings:

- CE - compliant
EN 55015:2006 / EN 61547:2009 / EN 60598:2008
- BS EN 62471:2008
- Gost R approval
- IEC60068 salt spray testing- severity 1
- IP66 to EN60529

Features & Benefits:

- L70 rated for 100,000 hours @ 25°C
- 5 year full performance warranty
- Instant on/off operation
- Superior colour rendition index compared to HPS, LPS, MV
- Mercury free, lead free
- Replaces up to 400 Watt HID light sources
- Resistant to shock and vibration
- Temperature compensation technology for longer life

Order Codes:

Part Number	IP66 to EN60529 (Tempered Glass Lens)	Lens		Optical Pattern		CCT	Initial Fixture Lumens @ 70°C	Lumens Per Watt
		Clear	Diffused	Circular	Aisle			
HBGCMP-70C	•	•		•		Cool White	10,000	73

Application:

The first of its kind, the Dialight DuroSite® LED High Bay luminaire was designed specifically to replace conventional lighting in a wide variety of industrial applications, both indoor and outdoor. Its low profile, light weight design and versatile mounting options make it ideal for many applications such as for many applications such as high bay lighting, warehouse, factories, cold stores, restricted access areas, service areas and other applications with mounting heights greater than 4 meters.

All of Dialight's long life LED luminaires are designed to meet the most demanding specification criteria while offering maximum energy savings, reduced maintenance costs, and a superior quality of light. Hazardous area versions are also available.

Mechanical Information

Fixture Weight:	8.6 kg (19 lbs)
Mounting:	Swivel bracket or hook
Fixing:	Factory installed 3 meter 3 core PVC cable Factory installed junction box (see ordering note, for mechanical drawing see page 2) Custom cable lengths available (consult factory)

Electrical specifications

Operating Voltage, Input Current, Power Consumption: See Table

Operating Temp: -40°C to +70°C (-40°F to +158°F)

Harmonics: EN 61000-3-2

Surge Protection: EN 61000-4-5
1 kV line to line
2 kV line to ground

THD: <5% (120VAC)
<10% (230/240VAC)
<12% (277VAC)

Power Factor: > 0.9

Construction

Housing: LM6 marine grade aluminium
Finish: Polyester / epoxy powder coat gray RAL 7040
Lens: Tempered Glass

Photometric Information

CRI: > 70
CCT: 6,000K (cool white)
4,300K (neutral white)

All values typical unless otherwise state
All lumen values are typical (tolerance +/- 10%)





Operating Voltage	Input Wattage	Input Current
277	134	0.5
230	137	0.6
200	137	0.7
150	139	0.9
120	141	1.2
100	144	1.4

All measurements taken at 25°C ambient, all values +/-15%



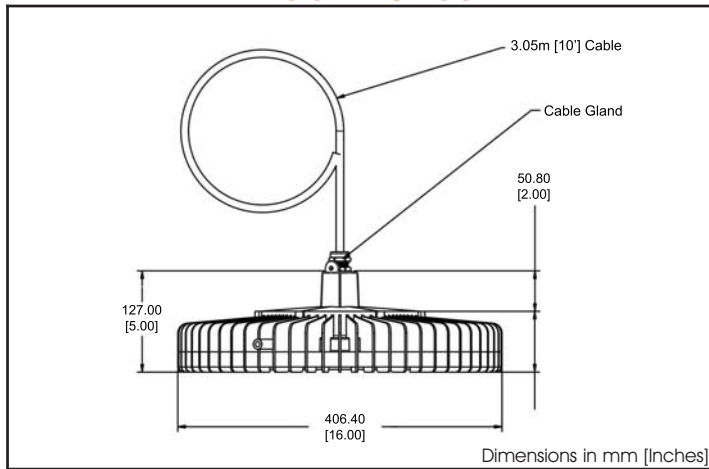
DuroSite® Series LED High Bay Fixture

Accessories

	Part Number	Description	Kit Includes
	HBXW3	Swivel Bracket Grey (RAL 7040) powder coated aluminium (Interior or exterior use)	Swivel Bracket Bracket to fixture hardware
	HBXH-EU	Hook (IP40)	Hanger Hook
	HBXGS	Glare Shield - sets of 10 Grey (RAL 7001) powder coated spun aluminium (Interior use only, for use with flat lens options)	Aluminium shield and securing hardware
	HBXREF2	558.8mm Acrylic Reflector (Must be ordered with High Bay, not a retrofit option)	Dust cover, clamp, space

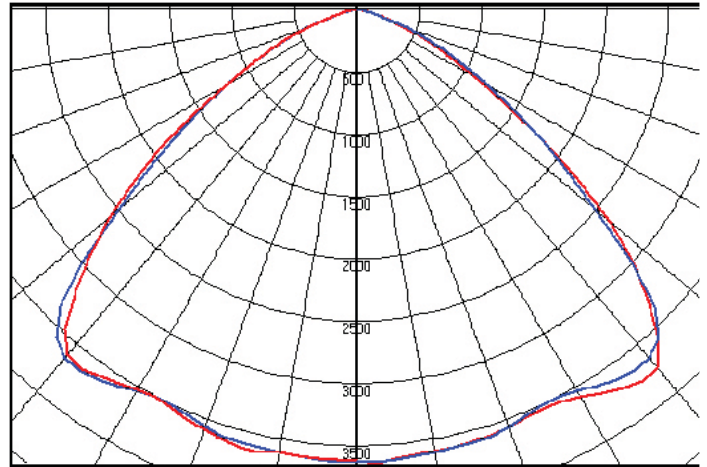
Mechanical Drawings

HBGCMPEU-70C

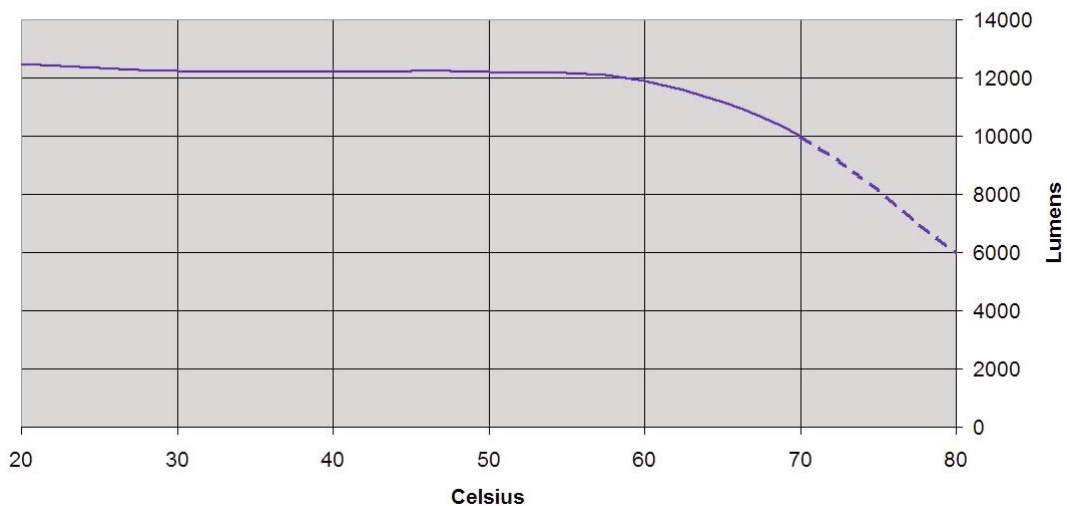


Polar Plots

Circular Pattern



Lumen Reduction vs Temperature



Dialight Dialight reserves the right to make changes at any time in order to supply the best product possible. The most current version of this document will always be available at: www.dialight.com/Assets/Brochures_And_Catalogs/Illumination/MDEXHB7EU001.pdf
 Warranty Statement: EXCEPT FOR THE WARRANTY EXPRESSLY PROVIDED FOR [HEREIN/ABOVE/BELOW], DIALIGHT DISCLAIMS ANY AND ALL OTHER WARRANTIES, EXPRESS OR IMPLIED, INCLUDING, WITHOUT LIMITATION, ANY WARRANTIES OF MERCHANTABILITY, FITNESS FOR A PARTICULAR PURPOSE, TITLE, AND NON-INFRINGEMENT.