

1. SCOPE

This specification shall cover the characteristics of the ceramic filter with the type LT10.7MJ

2. PART NO.:

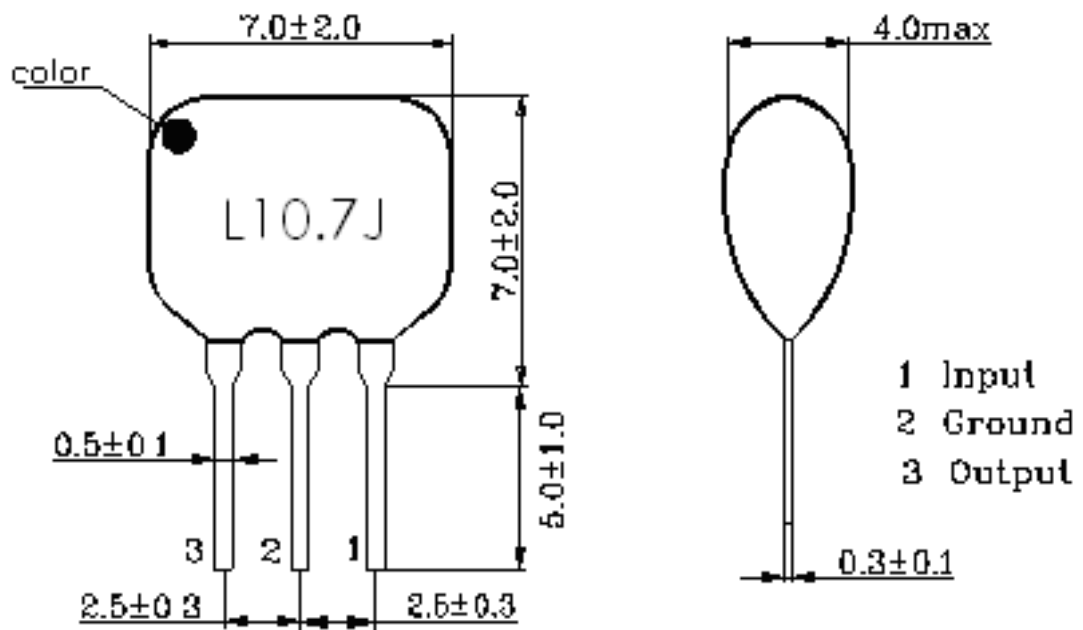
PART NUMBER	CUSTOMER PART NO	SPECIFICATION NO
LT10.7MJ		

3. OUTLINE DRAWING AND STRUCTURE:

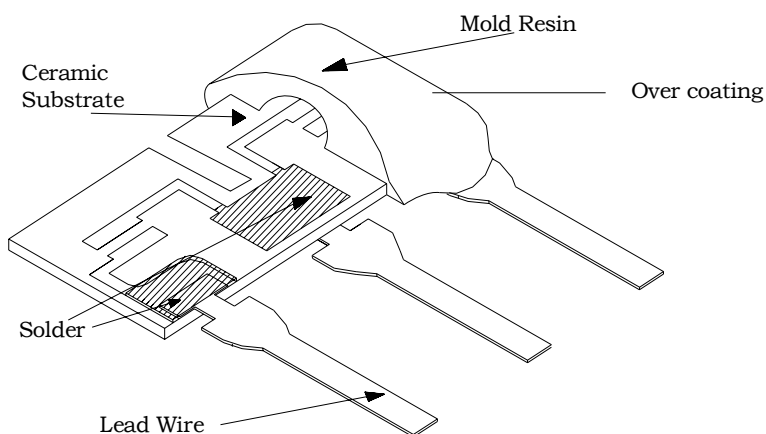
Appearance: No visible damage and dirt.

Construction: Leads are soldered on electrode and body is molded by resin.

Dimensions:



3.4 STRUCTURE



Component	Material
Lead Wire	Solder plating copper wire
Mold Resin	epoxy resin
Solder	High-melting solder (No Pb)
Ceramic Substrate	Lead titanate-zirconate
Over coating	Clear Epoxy Resin

4. RATING AND ELECTRICAL SPECIFICATIONS:

4.1 RATING

Items	Content
Withstand DC Voltage max	50V 1minute
Applied DC voltage max	10V
Operating temperature	-20°C ~ 80°C
Temp. Coefficient of Frequency (%) max	±0.5 (Center Frequency drift, -20°C~80°C)
Storage temperature range	-40°C ~ 80°C

4.2 ELECTRICAL SPECIFICATIONS

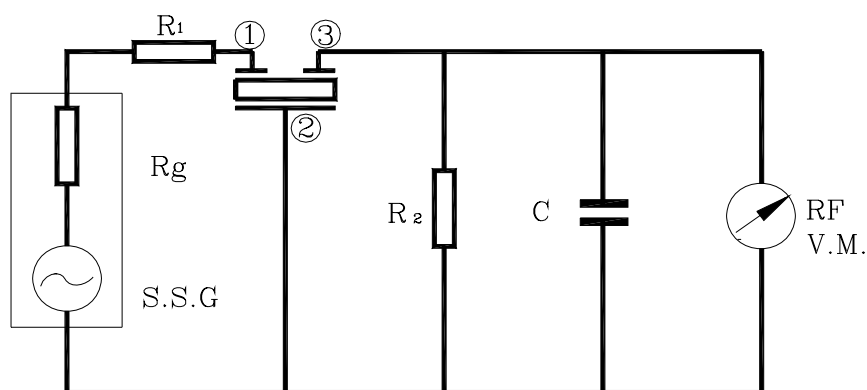
Items	Content
Center Frequency f_0 (MHz)	10.700 ± 0.030 (Red) 10.670 ± 0.030 (Blue) 10.730 ± 0.030 (Orange)
3dB Band Width (kHz)	150 ± 40
20dB Band Width (kHz) max	400
Insertion Loss (dB) max	10.0
Ripple (within 3dB bandwidth) % max	1.0
Spurious Response (dB) min	38 (9 MHz ~12MHz)
Input/Output Impedance (Ω)	330

5. MEASUREMENT:

Measurement Conditions:

Parts shall be measured under a condition (Temp.: $20^\circ\text{C} \pm 15^\circ\text{C}$, Humidity : $65\% \pm 20\%$ R.H.) unless the standard condition (Temp.: $25^\circ\text{C} \pm 3^\circ\text{C}$, Humidity : $65\% \pm 5\%$ R.H.) is regulated to measure.

Test Circuit:



$$R_g + R_1 = R_2 = 330 \Omega$$

$$C = 10 \text{ pF (Including stray capacitance and input capacitance of RF voltmeter)}$$



6 PHYSICAL AND ENVIRONMENTAL CHARACTERISTICS

No	Item	Condition of Test	Performance Requirements															
6.1	Humidity	Subject the filter at $(60 \pm 2) ^\circ\text{C}$ and 90%~95% R.H. for 100 hours, filter shall be measured after being placed in natural conditions for 1 hour.	It shall fulfill the specifications in Table 1.															
6.2	High Temperature Exposure	Subject the filter to $(85 \pm 5) ^\circ\text{C}$ for 100 hours, filter shall be measured after being placed in natural conditions for 1 hour.	It shall fulfill the specifications in Table 1.															
6.3	Low Temperature Exposure	Subject the filter to $(-40 \pm 5) ^\circ\text{C}$ for 100 hours, filter shall be measured after being placed in natural conditions for 1 hour.	It shall fulfill the specifications in Table 1.															
6.4	Thermal shock	<p>After temperature cycling of blow table was performed 5 times, filter shall be measured after being placed in natural conditions for 1 hour.</p> <table border="1"> <thead> <tr> <th></th> <th>Temperature</th> <th>Time</th> </tr> </thead> <tbody> <tr> <td>1</td> <td>$(-40 \pm 3) ^\circ\text{C}$</td> <td>$(30 \pm 3)$ mins</td> </tr> <tr> <td>2</td> <td>Room temp.</td> <td>5 S</td> </tr> <tr> <td>3</td> <td>$(+85 \pm 3) ^\circ\text{C}$</td> <td>$(30 \pm 3)$ mins</td> </tr> <tr> <td>4</td> <td>Room temp.</td> <td>5 S</td> </tr> </tbody> </table>		Temperature	Time	1	$(-40 \pm 3) ^\circ\text{C}$	(30 ± 3) mins	2	Room temp.	5 S	3	$(+85 \pm 3) ^\circ\text{C}$	(30 ± 3) mins	4	Room temp.	5 S	It shall fulfill the specifications in Table 1.
	Temperature	Time																
1	$(-40 \pm 3) ^\circ\text{C}$	(30 ± 3) mins																
2	Room temp.	5 S																
3	$(+85 \pm 3) ^\circ\text{C}$	(30 ± 3) mins																
4	Room temp.	5 S																
6.5	Vibration	Subject the filter to vibration for 2 hours each in x y and z axis with the amplitude of 1.5mm, the frequency shall be varied uniformly between the limits of 10Hz~55Hz and then filter shall be measured.	It shall fulfill the specifications in Table 1.															
6.6	Mechanical Shock test	Apply the half-sine shock pulses: 981m/s^2 , 6ms for 3 times in each direction of three mutually perpendicular planes.	No visible damage and it shall fulfill the specifications in Table 1.															
6.7	Drop test	Filter shall be measured after 3 times random dropping from the height of 1m on concrete floor.	No visible damage and it shall fulfill the specifications in Table 1.															



6 PHYSICAL AND ENVIRONMENTAL CHARACTERISTICS

(Continued from the preceding page)

No	Item	Condition of Test	Performance Requirements
6.8	Resistance to Soldering Heat	Lead terminals are immersed up to 2 mm from filter's body in soldering bath of $(+260 \pm 5)^\circ\text{C}$ for (10 ± 1) seconds and then filter shall be measured after being placed in natural conditions for 1 hour.	It shall fulfill the specifications in Table 1.
6.9	Short time heat resistance	Store in $(+160 \pm 2)^\circ\text{C}$ for 2 min and then filter shall be measured after being placed in natural conditions for 1 hour.	It shall fulfill the specifications in Table 1.
6.10	Solderability	Lead terminals are immersed up to 2mm from filter's body in soldering bath of $(+250 \pm 5)^\circ\text{C}$ for (2 ± 0.5) seconds.	More than 95% of the terminal surface of the filter shall be covered with fresh solder.
6.11	Terminal Strength		
6.11.1	Terminal Pulling	Force of 4.9N is applied to each lead in axial direction for (10 ± 1) seconds.	No visible damage and it shall fulfill the specifications in Table 1.
6.11.2	Terminal Bending	When force of 4.9N is applied to each lead in axial direction, the lead shall folded up 90° from the axial direction and folded back to the axial direction. The speed of folding shall be each 3 seconds.	

Table 1

Item	Specification after test
Center Frequency drift	$\pm 30\text{kHz}$ max
Insertion Loss drift	$\pm 2\text{dB}$ max.
3dB Band Width drift	$\pm 20\text{kHz}$ max.
20dB Band Width drift	$\pm 30\text{kHz}$ max.
Spurious Response	25 dB min

Note : The limits in the above table are referenced to the initial measurements.