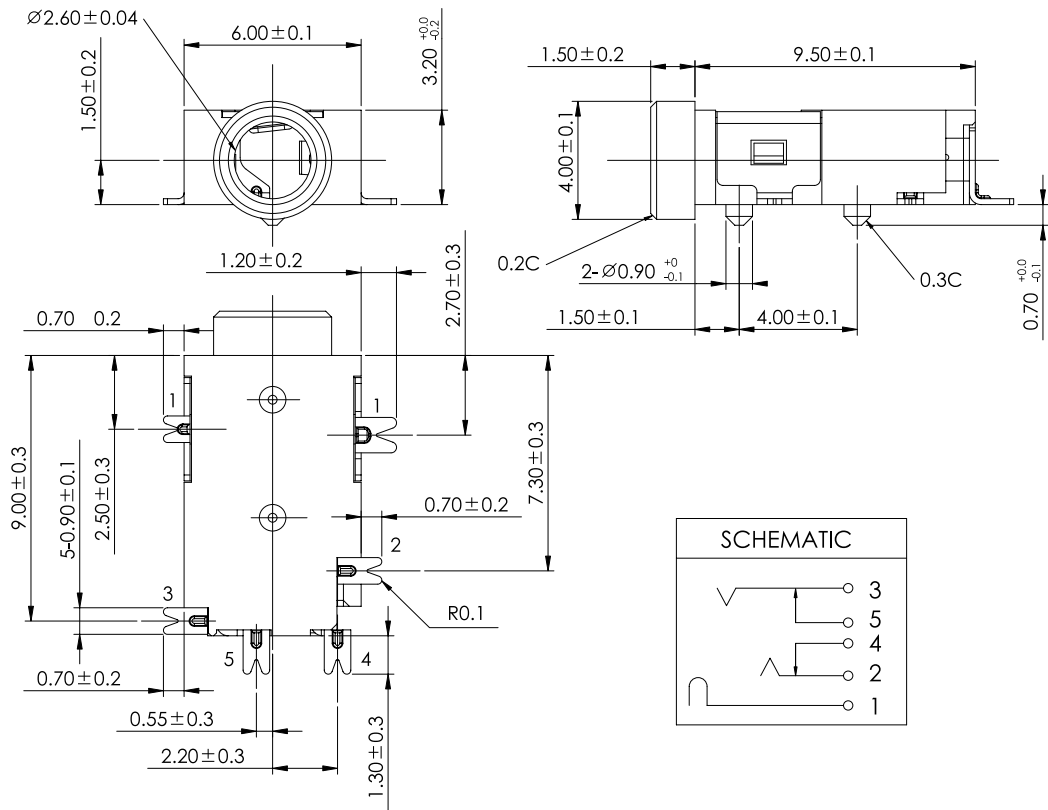


## 010216FB Series

### Specifications:

- **Insulator Material** : Black Thermo Plastic UL94V-O
- **Operating Type Range** : -40°C TO +105°C
- **Terminal Material** : Pho. Bronze
- **Platings** : Contact Gold Plated
- **Max. Current Rating** : 1.5A
- **Max. Voltage Rating** : 12V AC
- **Dielectric Strength** : 500V AC For 60 Seconds



Mobile

AUDIO JACK

### Order Information

010216FB005□□00ZL  
1 2 3 4 5

1. 'B' : Right Angle SMT Type
  2. No. of pins.
  3. Plating
  4. Color 'Z' : Black
  5. Package
- 'L' : Reel Package Without Cap  
Reference Page 11

### Recommended P.C.B Layout

