

PLEASE CHECK WWW.MOLEX.COM FOR LATEST PART INFORMATION

Part Number: [0877602017](#)
Status: **Active**
Overview: milligrid
Description: 2.00mm (.079") Pitch Milli-Grid™ Header, Right Angle, Through Hole, 20 Circuits, 0.76µm (30µ") Gold (Au) Selective Plating, Tray, Lead-free

Documents:

[3D Model](#) [Product Specification PS-87761-100 \(PDF\)](#)
[Drawing \(PDF\)](#) [RoHS Certificate of Compliance \(PDF\)](#)

Agency Certification

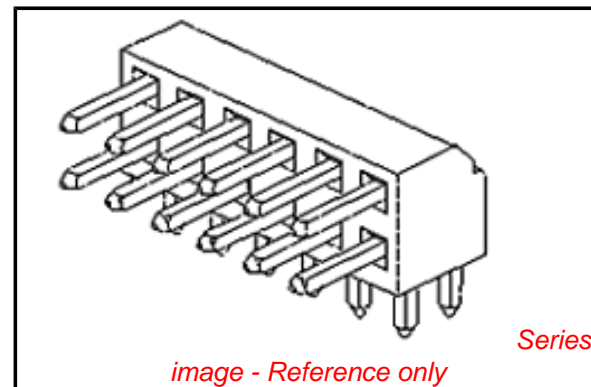
CSA LR19980
 UL E29179

General

Product Family PCB Headers
 Series [87760](#)
 Application Board-to-Board, Wire-to-Board
 Comments Lead-free version of 87049 series
 Overview [milligrid](#)
 Product Name Milli-Grid™

Physical

Breakaway No
 Circuits (Loaded) 20
 Circuits (maximum) 20
 Color - Resin Black
 First Mate / Last Break No
 Flammability 94V-0
 Glow-Wire Compliant No
 Guide to Mating Part No
 Keying to Mating Part None
 Lock to Mating Part None
 Mated Height (in) 0.157 In
 Mated Height (mm) 4.00 mm
 Material - Metal Phosphor Bronze
 Material - Plating Mating Gold
 Material - Plating Termination Tin
 Material - Resin High Temperature Thermoplastic
 Number of Rows 2
 Orientation Right Angle
 PC Tail Length (in) 0.102 In
 PC Tail Length (mm) 2.60 mm
 PCB Locator No
 PCB Retention None
 PCB Thickness Recommended (in) 0.062 In
 PCB Thickness Recommended (mm) 1.60 mm
 Packaging Type Tray
 Pitch - Mating Interface (in) 0.079 In
 Pitch - Mating Interface (mm) 2.00 mm
 Pitch - Term. Interface (in) 0.079 In
 Pitch - Term. Interface (mm) 2.00 mm
 Polarized to Mating Part No
 Polarized to PCB No
 Shrouded No
 Stackable Yes



EU RoHS

ELV and RoHS Compliant
REACH SVHC
 Not Reviewed
Halogen-Free Status

China RoHS



Not Halogen-Free

Need more information on product environmental compliance?

Email productcompliance@molex.com
 For a multiple part number RoHS Certificate of Compliance, [click here](#)

Please visit the [Contact Us](#) section for any non-product compliance questions.

Search Parts in this Series

[87760Series](#)

Mates With

[79107](#) Milli-Grid™ Receptacle, Vertical, Through Hole. [79108](#) Milli-Grid™ Flex-to-Board, Vertical Receptacle. Milli-Grid™ Receptacle, Surface Mount. [79109](#). [87381](#)

Surface Mount Compatible (SMC)	Yes
Temperature Range - Operating	-55°C to +105°C
Termination Interface: Style	Through Hole

Electrical

Current - Maximum per Contact	2A
Voltage - Maximum	125V

Solder Process Data

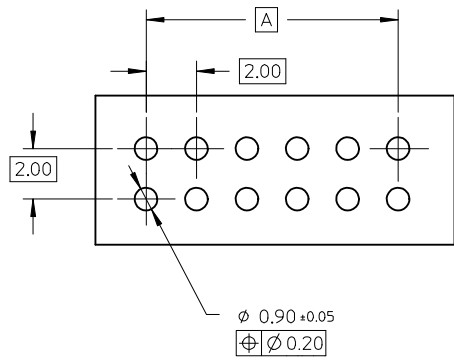
Duration at Max. Process Temperature (seconds)	14
Lead-free Process Capability	Wave Capable (TH only)
Max. Cycles at Max. Process Temperature	1
Process Temperature max. C	265

Material Info**Reference - Drawing Numbers**

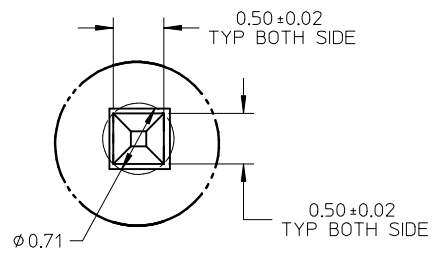
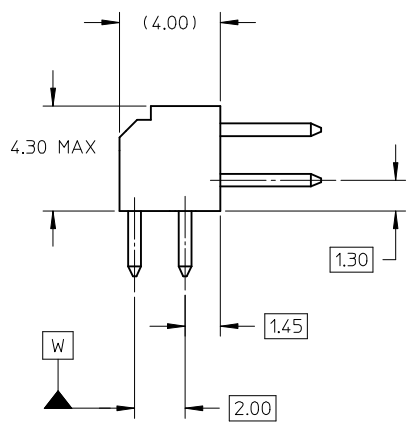
Product Specification	PS-87761-100
Sales Drawing	SD-87760-109

This document was generated on 05/26/2010

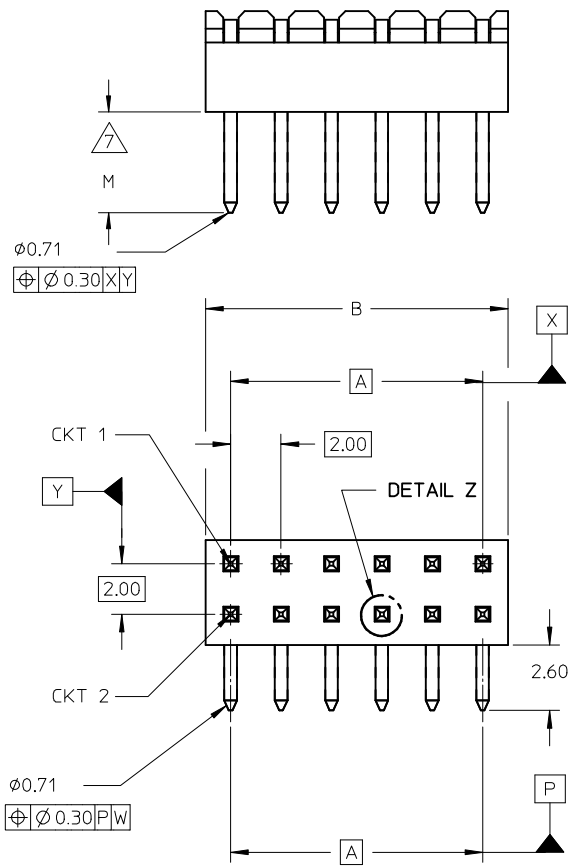
PLEASE CHECK WWW.MOLEX.COM FOR LATEST PART INFORMATION



RECOMMENDED PCB LAYOUT



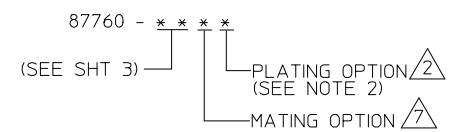
DETAIL Z



NOTES:

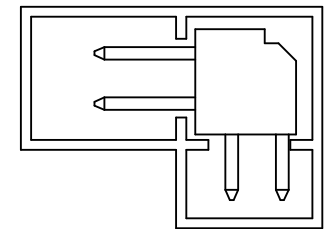
1. MATERIAL:
 - HSG: PCT, 30% GLASS FILLED, UL 94V-0, COLOUR BLACK.
 - PIN: 0.50MM SQ PHOSPHOR BRONZE 510
 2. PLATING:
 - ***6 - 0.38um MIN GOLD IN CONTACT AREA, 1.90um MIN TIN IN SOLDERTAIL AREA, BOTH OVER 1.27um MIN NICKEL OVERALL
 - ***7 - 0.76um MIN GOLD IN CONTACT AREA, 1.90um MIN TIN IN SOLDERTAIL AREA, BOTH OVER 1.27um MIN NICKEL OVERALL
 - ***8 - 2.54um MIN TIN OVER 1.27um MIN NICKEL OVERALL
 3. 12 CKT USED FOR ILLUSTRATION ONLY
 4. PART TO BE PACKED IN POCKET TRAY/TUBE (SEE TABLE).
 5. PRODUCT SPEC PS-87761-100 APPLIES.
 6. RECOMMENDED PCB BOARD THK 1.60±0.10 MM.
7. MATING LENGTH: 1 - 4.00MM
2 - 3.50MM
3 - 3.06MM
4 - 5.75MM

LEGEND:



0047-DW-SIRIUS EC NO: S2010-0177 DRWN:SKANG CHKD:ATSEE APPR:MLONG 2009/10/21 2009/10/22 2009/10/23	QUALITY SYMBOLS	GENERAL TOLERANCES (UNLESS SPECIFIED)	DIMENSION STYLE	SCALE	DESIGN UNITS	THIRD ANGLE PROJECTION
	▼=0 ∇=0	mm INCH 4 PLACES ± --- ± --- 3 PLACES ± --- ± --- 2 PLACES ± 0.2 ± --- 1 PLACE ± --- ± --- ANGULAR ± 3 °	MM ONLY	NTS	METRIC	
		DRAFT WHERE APPLICABLE MUST REMAIN WITHIN DIMENSIONS	DRAWN BY DATE	TITLE		
			KSEE 2003/10/15	MGRID, 2MM DUAL ROW HDR. R/A		
			CHECKED BY DATE	MOLEX INCORPORATED		
			KCL ING 2003/12/02	SD-87760-109		
			APPROVED BY DATE	SHEET NO.		
			SKTOH 2003/12/11	1 OF 2		
			MATERIAL NO.	DOCUMENT NO.		
			SEE TABLE	SD-87760-109		
			SIZE	THIS DRAWING CONTAINS INFORMATION THAT IS PROPRIETARY TO MOLEX INCORPORATED AND SHOULD NOT BE USED WITHOUT WRITTEN PERMISSION		
			A3			

	10	9	8	7	6	5	4	3	2	1	
	PART NUMBER	VOID PIN LOCATION	CKT SIZE	A	B	M	PACKAGING TYPE				
F	87760-04**	-	04	2.00	4.00	REFER TO NOTE 7.	TRAY				
	87760-06**	-	06	4.00	6.00						
	87760-08**	-	08	6.00	8.00						
	87760-10**	-	10	8.00	10.00						
E	87760-12**	-	12	10.00	12.00						
	87760-14**	-	14	12.00	14.00						
	87760-16**	-	16	14.00	16.00						
	87760-18**	-	18	16.00	18.00						
D	87760-20**	-	20	18.00	20.00						
	87760-22**	-	22	20.00	22.00						
	87760-24**	-	24	22.00	24.00						
	87760-26**	-	26	24.00	26.00						
C	87760-28**	-	28	26.00	28.00						
	87760-30**	-	30	28.00	30.00						
	87760-32**	-	32	30.00	32.00						
	87760-34**	-	34	32.00	34.00						
B	87760-36**	-	36	34.00	36.00						
	87760-38**	-	38	36.00	38.00						
	87760-40**	-	40	38.00	40.00						
	87760-42**	-	42	40.00	42.00						
A	87760-44**	-	44	42.00	44.00						
	87760-46**	-	46	44.00	46.00						
	87760-48**	-	48	46.00	48.00						
	87760-50**	-	50	48.00	50.00						
	87760-5116	5, 6 & 26	50	48.00	50.00						
	87760-5248	-	28	26.00	28.00		TUBE				



PART IN TUBE

0047-DW-SIRIUS EC NO: S2010-0177 DRWN:SKANG 2009/10/21 CHKD:ATSEE 2009/10/22 APPR:MLONG 2009/10/23	QUALITY SYMBOLS	GENERAL TOLERANCES (UNLESS SPECIFIED)		DIMENSION STYLE		SCALE	DESIGN UNITS	THIRD ANGLE PROJECTION	
	=0 =0	mm	INCH	MM ONLY		NTS	METRIC		
	DESCRIPTION	4 PLACES	± ---	± ---	DRAWN BY	DATE	TITLE		
		3 PLACES	± ---	± ---	KSEE	2003/10/15	MGRID, 2MM DUAL ROW HDR. R/A		
	2 PLACES	± 0.2	± ---	CHECKED BY	DATE				
	1 PLACE	± ---	± ---	KCLING	2003/12/02				
	ANGULAR ± 3 °			APPROVED BY	DATE				
	DRAFT WHERE APPLICABLE MUST REMAIN WITHIN DIMENSIONS			SKTOH	2003/12/11	MOLEX INCORPORATED			
				MATERIAL NO.		DOCUMENT NO.		SHEET NO.	
				SEE TABLE		SD-87760-109		2 OF 2	
				SIZE	THIS DRAWING CONTAINS INFORMATION THAT IS PROPRIETARY TO MOLEX INCORPORATED AND SHOULD NOT BE USED WITHOUT WRITTEN PERMISSION				
	A11			A3					