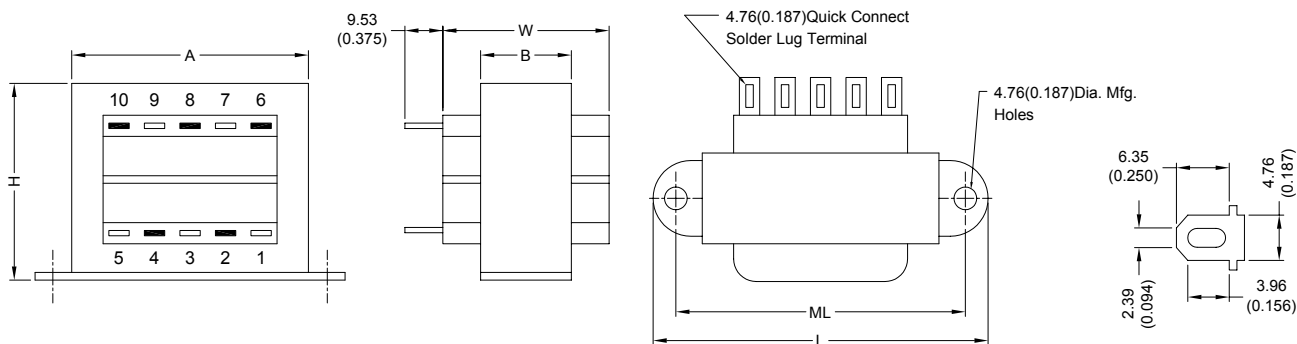


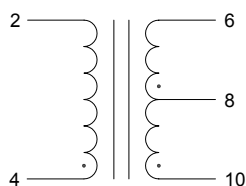
1. CONFIGURATION & DIMENSIONS :



UNIT : mm (inch)

SIZE	VA	L	W	H	A	B	ML	gram
6	30	82.55 (3.250)	42.88 (1.688)	49.23 (1.938)	74.63 (2.938)	27.00 (1.063)	71.45 (2.813)	498.95

2. SCHEMATIC :



" . " indicates polarity

3. ELECTRICAL CHARACTERISTICS (@ 25°C) :

a. Primary Voltage	AC 115 V 60 Hz .
b. No Load Primary Current	Less Than 35mA .
c. Secondary Voltage (±5%)	
Pin 6-10 C.T. Pin 8	AC 47.00 V .
d. Secondary Load Current	0.75A .
e. Full Load Primary Current	Less Than 340mA .
f. Full Load Secondary Voltage (±5%)	40.00V .
Pin 6-10 C.T. Pin 8	
g. DC Resistance	
Pin 2-4	Primary = 22.50 Ohm .
Pin 6-8	Secondary-1 = - Ohm .
Pin 8-10	Secondary-2 = - Ohm .
h. Insulation Resistance	DC 500V 100Meg Ohm Of More .
i. Withstand Voltage (Hi-Pot)	AC 2500V 60Hz 1 Minutes .
j. Temperature Rise	Less Than 60 Deg C .
k. Core Size	EI-57 x 26.00 m/m .
l. Turns & Wire Gauge	
Primary Pin 2-4	884 Turns Diameter 0.28 mm
Secondary Pin 6-8-10	0-140-280 Turns Diameter 0.40 mm



RoHS Compliant

NOTE : Specifications subject to change without notice. Please check our website for latest information.

25.02.2008



SUPERWORLD ELECTRONICS (S) PTE LTD

PG. 1