



# SANYO Semiconductors DATA SHEET



## LC75812PT

CMOS IC

### 1/8, 1/9 Duty Dot Matrix LCD Display Controllers/Drivers with Key Input Function

#### Overview

The LC75812PT is 1/8, 1/9 duty dot matrix LCD display controllers/drivers that support the display of characters, numbers, and symbols. In addition to generating dot matrix LCD drive signals based on data transferred serially from a microcontroller, the LC75812PT also provide on-chip character display ROM and RAM to allow display systems to be implemented easily. These products also provide up to 3 general-purpose output ports and incorporate a key scan circuit that accepts input from up to 35 keys to reduce printed circuit board wiring.

#### Features

- Key input function for up to 35 keys (A key scan is performed only when a key is pressed.)
- Controls and drives a 5×7 or 5×8 dot matrix LCD.
- Supports accessory display segment drive (up to 65 segments)
- Display technique: 1/8 duty 1/4 bias drive (5×7 dots)  
1/9 duty 1/4 bias drive (5×8 dots)
- Display digits: 13 digits×1 line (5×7 dots), 12 digits×1 line (5×8 dots)
- Display control memory
  - CGROM: 240 characters (5×7 or 5×8 dots)
  - CGRAM: 16 characters (5×7 or 5×8 dots)
  - ADRAM: 13×5 bits
  - DCRAM: 52×8 bits
- Instruction function
  - Display on/off control
  - Display shift function

Continued on next page.

- CCB is a registered trademark of SANYO Semiconductor Co., Ltd.
- CCB is SANYO Semiconductor's original bus format. All bus addresses are managed by SANYO Semiconductor for this format.

■ Any and all SANYO Semiconductor Co.,Ltd. products described or contained herein are, with regard to "standard application", intended for the use as general electronics equipment (home appliances, AV equipment, communication device, office equipment, industrial equipment etc.). The products mentioned herein shall not be intended for use for any "special application" (medical equipment whose purpose is to sustain life, aerospace instrument, nuclear control device, burning appliances, transportation machine, traffic signal system, safety equipment etc.) that shall require extremely high level of reliability and can directly threaten human lives in case of failure or malfunction of the product or may cause harm to human bodies, nor shall they grant any guarantee thereof. If you should intend to use our products for applications outside the standard applications of our customer who is considering such use and/or outside the scope of our intended standard applications, please consult with us prior to the intended use. If there is no consultation or inquiry before the intended use, our customer shall be solely responsible for the use.

■ Specifications of any and all SANYO Semiconductor Co.,Ltd. products described or contained herein stipulate the performance, characteristics, and functions of the described products in the independent state, and are not guarantees of the performance, characteristics, and functions of the described products as mounted in the customer's products or equipment. To verify symptoms and states that cannot be evaluated in an independent device, the customer should always evaluate and test devices mounted in the customer's products or equipment.

**SANYO Semiconductor Co., Ltd.**

[www.semiconductor-sanyo.com/network](http://www.semiconductor-sanyo.com/network)

# LC75812PT

Continued from preceding page.

- Sleep mode can be used to reduce current drain.
- Built-in display contrast adjustment circuit
- Switching between key scan output and general-purpose output ports can be controlled with instructions.
- PWM output for adjusting the LED backlight brightness
- The frame frequency of the common and segment output waveforms can be controlled by instructions.
- Serial data control of switching between the RC oscillator operating mode and external clock operating mode.
- Independent LCD driver block power supply  $V_{LCD}$
- A voltage detection type reset circuit is provided to initialize the IC and prevent incorrect display.
- The INH pin is provided. This pin turns off the display, disables key scanning, and forces the general-purpose output ports to the low level.
- RC oscillator circuit

## Specifications

**Absolute Maximum Ratings** at  $T_a = 25^\circ\text{C}$ ,  $V_{SS} = 0\text{V}$

Parameter	Symbol	Conditions	Ratings	Unit
Maximum supply voltage	$V_{DD\ max}$	$V_{DD}$	-0.3 to +4.2	V
	$V_{LCD\ max}$	$V_{LCD}$	-0.3 to +11.0	
Input voltage	$V_{IN1}$	CE, CL, DI, $\overline{INH}$	-0.3 to +4.2	V
		CE, CL, DI, $\overline{INH}$ $V_{DD}=2.7$ to $3.6\text{V}$	-0.3 to +6.5	
	$V_{IN2}$	OSC, KI1 to KI5, TEST	-0.3 to $V_{DD} + 0.3$	
	$V_{IN3}$	$V_{LCD1}$ , $V_{LCD2}$ , $V_{LCD3}$ , $V_{LCD4}$	-0.3 to $V_{LCD} + 0.3$	
Output voltage	$V_{OUT1}$	DO	-0.3 to +6.5	V
	$V_{OUT2}$	OSC, KS1 to KS7, P1 to P3	-0.3 to $V_{DD} + 0.3$	
	$V_{OUT3}$	$V_{LCD0}$ , S1 to S65, COM1 to COM9	-0.3 to $V_{LCD} + 0.3$	
Output current	$I_{OUT1}$	S1 to S65	300	$\mu\text{A}$
	$I_{OUT2}$	COM1 to COM9	3	mA
	$I_{OUT3}$	KS1 to KS7	1	
	$I_{OUT4}$	P1 to P3	5	
Allowable power dissipation	$P_d\ max$	$T_a=85^\circ\text{C}$	200	mW
Operating temperature	$T_{opr}$		-40 to +85	$^\circ\text{C}$
Storage temperature	$T_{stg}$		-55 to +125	$^\circ\text{C}$

**Allowable Operating Range** at  $T_a = -40^\circ\text{C}$  to  $+85^\circ\text{C}$ ,  $V_{SS} = 0\text{V}$

Parameter	Symbol	Conditions	Ratings			unit
			min	typ	max	
Supply voltage	$V_{DD}$	$V_{DD}$	2.7		3.6	V
	$V_{LCD}$	$V_{LCD}$ When the display contrast adjustment circuit is used.	7.0		10.0	
		$V_{LCD}$ When the display contrast adjustment circuit is not used.	4.5		10.0	
Output voltage	$V_{LCD0}$	$V_{LCD0}$	$V_{LCD4} + 4.5$		$V_{LCD}$	V
Input voltage	$V_{LCD1}$	$V_{LCD1}$		3/4 ( $V_{LCD0}$ - $V_{LCD4}$ )	$V_{LCD0}$	V
	$V_{LCD2}$	$V_{LCD2}$		2/4 ( $V_{LCD0}$ - $V_{LCD4}$ )	$V_{LCD0}$	
	$V_{LCD3}$	$V_{LCD3}$		1/4 ( $V_{LCD0}$ - $V_{LCD4}$ )	$V_{LCD0}$	
	$V_{LCD4}$	$V_{LCD4}$	0		1.5	

Continued on next page.

# LC75812PT

Continued from preceding page.

Parameter	Symbol	Conditions	Ratings			unit
			min	typ	max	
Input high level voltage	V <sub>IH1</sub>	CE, CL, DI, $\overline{\text{INH}}$	0.8V <sub>DD</sub>		3.6	V
		CE, CL, DI, $\overline{\text{INH}}$ V <sub>DD</sub> =2.7 to 3.6V	0.8V <sub>DD</sub>		5.5	
	V <sub>IH2</sub>	OSC external clock operating mode	0.8V <sub>DD</sub>		V <sub>DD</sub>	
	V <sub>IH3</sub>	KI1 to KI5	0.6V <sub>DD</sub>		V <sub>DD</sub>	
Input low level voltage	V <sub>IL1</sub>	CE, CL, DI, $\overline{\text{INH}}$ , KI1 to KI5	0		0.2V <sub>DD</sub>	V
	V <sub>IL2</sub>	OSC external clock operating mode	0		0.2V <sub>DD</sub>	
Output pull-up voltage	V <sub>OUP</sub>	DO	0		5.5	V
Recommended external resistor for RC oscillation	R <sub>osc</sub>	OSC RC oscillator operating mode		10		kΩ
Recommended external capacitor for RC oscillation	C <sub>osc</sub>	OSC RC oscillator operating mode		470		pF
Guaranteed range of RC oscillation	f <sub>osc</sub>	OSC RC oscillator operating mode	150	300	600	kHz
External clock operating frequency	f <sub>CK</sub>	OSC external clock operating mode [Figure 4]	100	300	600	kHz
External clock duty cycle	D <sub>CK</sub>	OSC external clock operating mode [Figure 4]	30	50	70	%
Data setup time	t <sub>ds</sub>	CL, DI [Figure 2],[Figure 3]	160			ns
Data hold time	t <sub>dh</sub>	CL, DI [Figure 2],[Figure 3]	160			ns
CE wait time	t <sub>cp</sub>	CE, CL [Figure 2],[Figure 3]	160			ns
CE setup time	t <sub>cs</sub>	CE, CL [Figure 2],[Figure 3]	160			ns
CE hold time	t <sub>ch</sub>	CE, CL [Figure 2],[Figure 3]	160			ns
High level clock pulse width	t <sub>φH</sub>	CL [Figure 2],[Figure 3]	160			ns
Low level clock pulse width	t <sub>φL</sub>	CL [Figure 2],[Figure 3]	160			ns
DO output delay time	t <sub>dc</sub>	DO R <sub>PJ</sub> =4.7kΩ C <sub>L</sub> =10pF *1 [Figure 2],[Figure 3]			1.5	μs
DO rise time	t <sub>dr</sub>	DO R <sub>PJ</sub> =4.7kΩ C <sub>L</sub> =10pF *1 [Figure 2],[Figure 3]			1.5	μs

Note: \*1. Since the DO pin is an open-drain output, these times depend on the values of the pull-up resistor R<sub>PJ</sub> and the load capacitance C<sub>L</sub>.

## Electrical Characteristics for the Allowable Operating Ranges

Parameter	Symbol	Pins	Conditions	Ratings			unit
				min	typ	max	
Hysteresis	V <sub>H</sub>	CE, CL, DI, $\overline{\text{INH}}$ , KI1 to KI5		0.1V <sub>DD</sub>			V
Power-down detection voltage	V <sub>DET</sub>			2.0	2.2	2.4	V
Input high level current	I <sub>IH1</sub>	CE, CL, DI, $\overline{\text{INH}}$	V <sub>I</sub> =3.6V			5.0	μA
			V <sub>I</sub> =5.5V V <sub>DD</sub> =2.7 to 3.6V			5.0	
	I <sub>IH2</sub>	OSC	V <sub>I</sub> =V <sub>DD</sub> external clock operating mode			5.0	
Input low level current	I <sub>IL1</sub>	CE, CL, DI, $\overline{\text{INH}}$	V <sub>I</sub> =0V	-5.0			μA
	I <sub>IL2</sub>	OSC	V <sub>I</sub> =0V external clock operating mode	-5.0			
Input floating voltage	V <sub>IF</sub>	KI1 to KI5				0.05V <sub>DD</sub>	V
Pull-down resistance	R <sub>PD</sub>	KI1 to KI5	V <sub>DD</sub> =3.3V	50	100	250	kΩ
Output off leakage current	I <sub>OFFH</sub>	DO	V <sub>O</sub> =5.5V			6.0	μA
Output high level voltage	V <sub>OH1</sub>	S1 to S65	I <sub>O</sub> =-20μA	V <sub>LCD0-0.6</sub>			V
	V <sub>OH2</sub>	COM1 to COM9	I <sub>O</sub> =-100μA	V <sub>LCD0-0.6</sub>			
	V <sub>OH3</sub>	KS1 to KS7	I <sub>O</sub> =-250μA	V <sub>DD-0.8</sub>	V <sub>DD-0.4</sub>	V <sub>DD-0.1</sub>	
	V <sub>OH4</sub>	P1 to P3	I <sub>O</sub> =-1mA	V <sub>DD-0.9</sub>			
Output low level voltage	V <sub>OL1</sub>	S1 to S65	I <sub>O</sub> =20μA			V <sub>LCD4+0.6</sub>	V
	V <sub>OL2</sub>	COM1 to COM9	I <sub>O</sub> =100μA			V <sub>LCD4+0.6</sub>	
	V <sub>OL3</sub>	KS1 to KS7	I <sub>O</sub> =12.5μA	0.1	0.4	1.2	
	V <sub>OL4</sub>	P1 to P3	I <sub>O</sub> =1mA			0.9	
	V <sub>OL5</sub>	DO	I <sub>O</sub> =1mA		0.1	0.3	

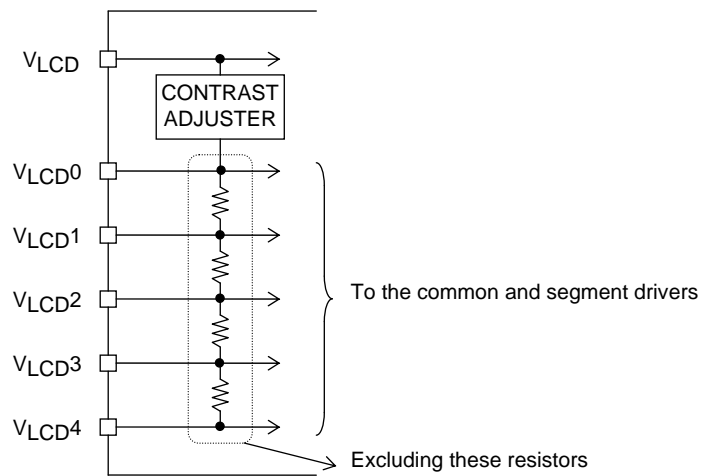
Continued on next page.

# LC75812PT

Continued from preceding page.

Parameter	Symbol	Pins	Conditions	Ratings			unit
				min	typ	max	
Output middle level voltage *2	V <sub>MID1</sub>	S1 to S65	I <sub>O</sub> =±20μA	2/4 (V <sub>LCD0</sub> -V <sub>LCD4</sub> ) -0.6		2/4 (V <sub>LCD0</sub> -V <sub>LCD4</sub> ) +0.6	V
	V <sub>MID2</sub>	COM1 to COM9	I <sub>O</sub> =±100μA	3/4 (V <sub>LCD0</sub> -V <sub>LCD4</sub> ) -0.6		3/4 (V <sub>LCD0</sub> -V <sub>LCD4</sub> ) +0.6	
	V <sub>MID3</sub>	COM1 to COM9	I <sub>O</sub> =±100μA	1/4 (V <sub>LCD0</sub> -V <sub>LCD4</sub> ) -0.6		1/4 (V <sub>LCD0</sub> -V <sub>LCD4</sub> ) +0.6	
Oscillator frequency	f <sub>osc</sub>	OSC	R <sub>osc</sub> =10kΩ, C <sub>osc</sub> =470pF	210	300	390	kHz
Current drain	I <sub>DD1</sub>	V <sub>DD</sub>	sleep mode			100	μA
	I <sub>DD2</sub>	V <sub>DD</sub>	V <sub>DD</sub> =3.6V, output open, f <sub>osc</sub> =300kHz		500	1000	
	I <sub>LCD1</sub>	V <sub>LCD</sub>	sleep mode			15	
	I <sub>LCD2</sub>	V <sub>LCD</sub>	V <sub>LCD</sub> =10.0V, output open, f <sub>osc</sub> =300kHz, When the display contrast adjustment circuit is used.		450	900	
	I <sub>LCD3</sub>	V <sub>LCD</sub>	V <sub>LCD</sub> =10.0V, output open, f <sub>osc</sub> =300kHz, When the display contrast adjustment circuit is not used.		200	400	

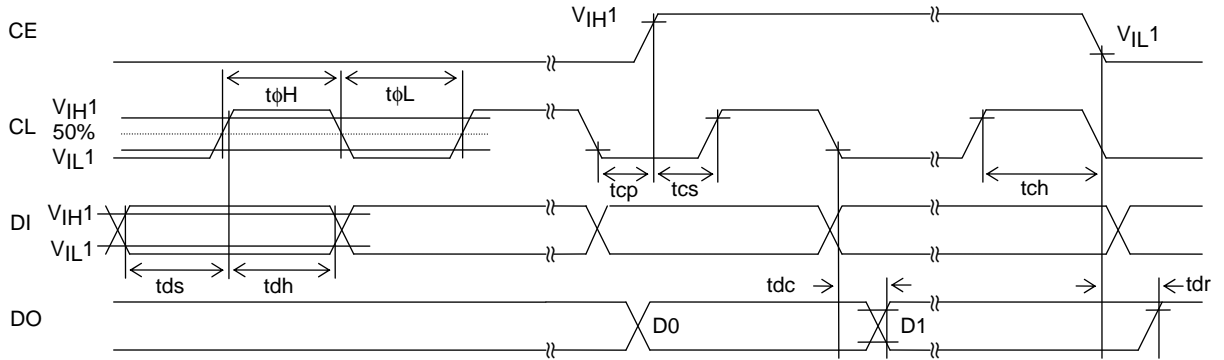
Note: \*2. Excluding the bias voltage generation divider resistor built into the V<sub>LCD0</sub>, V<sub>LCD1</sub>, V<sub>LCD2</sub>, V<sub>LCD3</sub>, and V<sub>LCD4</sub>. (See Figure 1.)



[Figure 1]

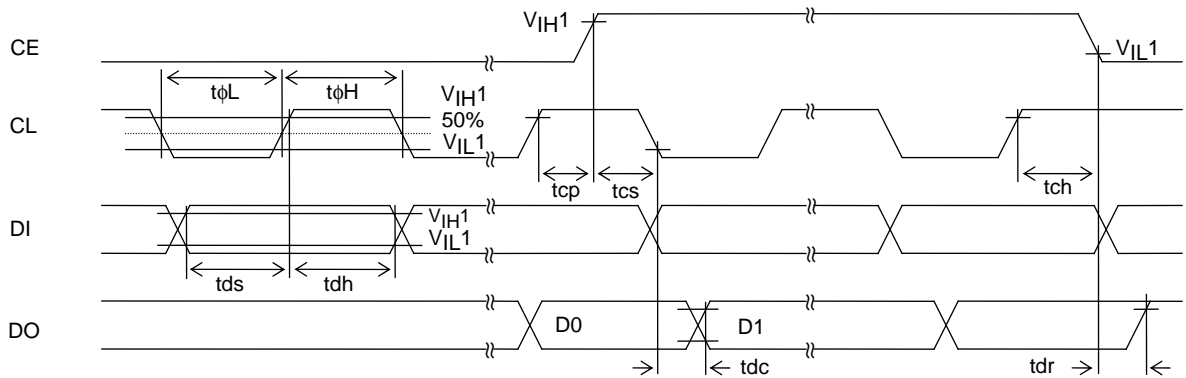
# LC75812PT

(1) When CL is stopped at the low level



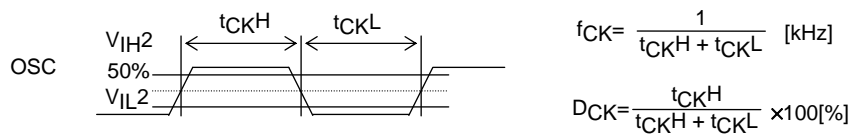
[Figure 2]

(2) When CL is stopped at the high level



[Figure 3]

(3) OSC pin clock timing in external clock operating mode



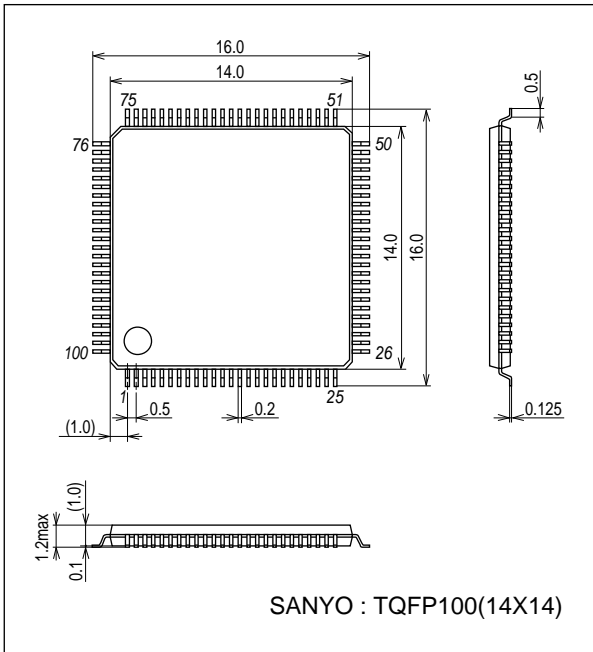
[Figure 4]

# LC75812PT

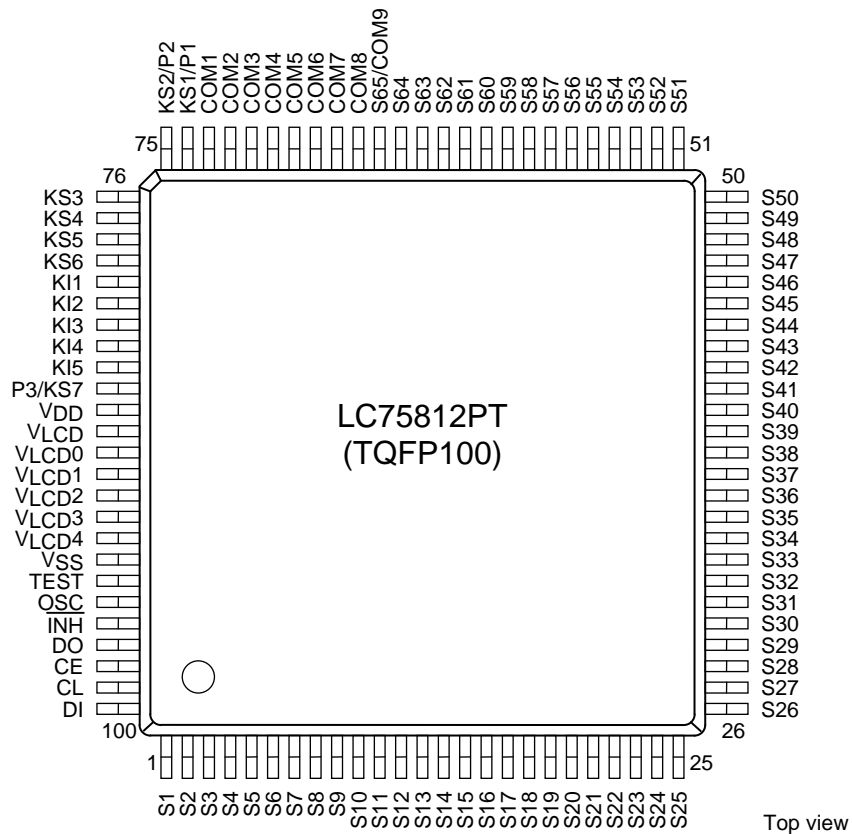
## Package Dimensions

unit : mm (typ)

3274

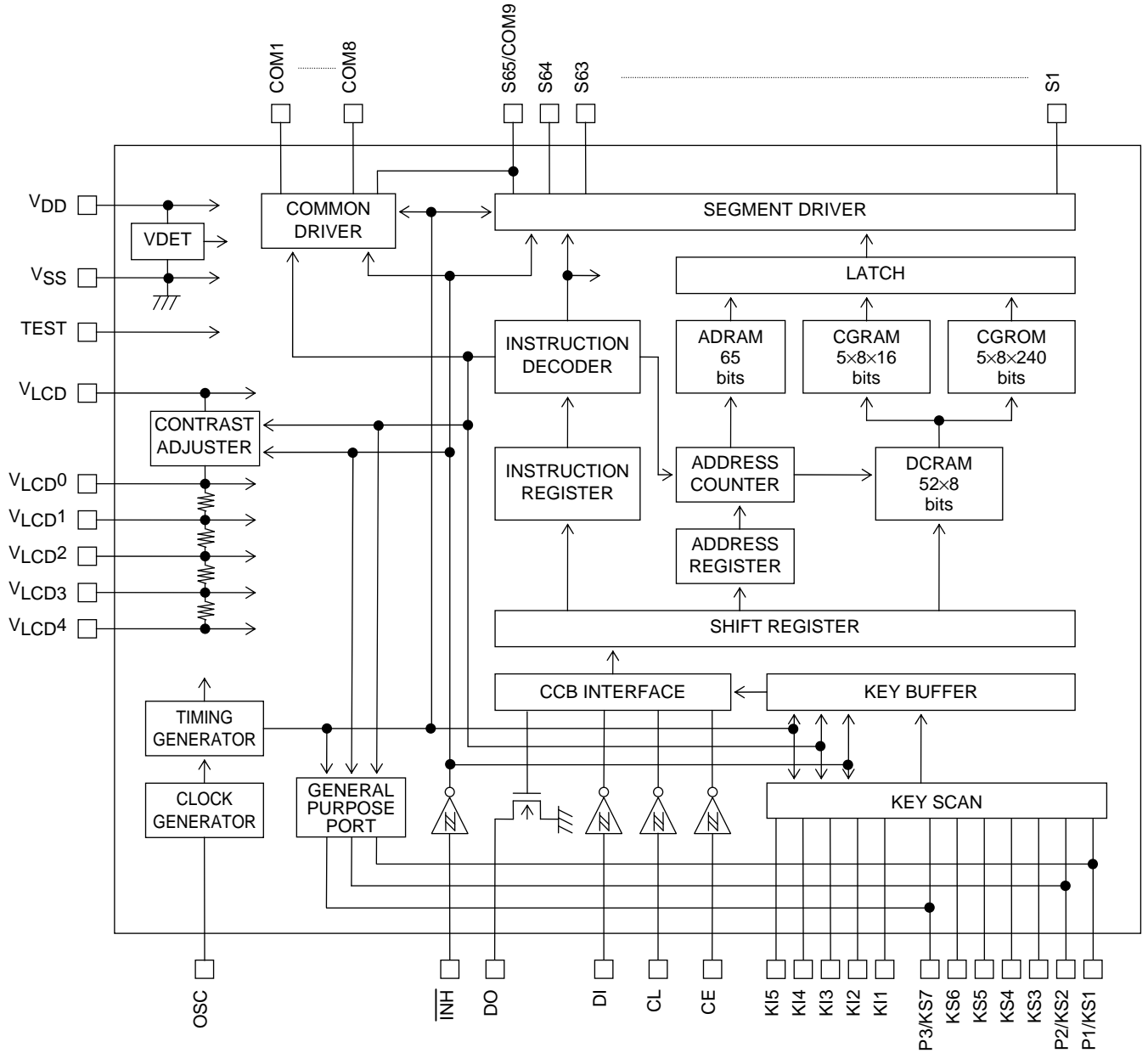


## Pin Assignments



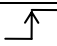
# LC75812PT

## Block Diagram



# LC75812PT

## Pin Functions

Pin	Pin No.	Function	Active	I/O	Handling when unused
S1 to S64 S65/COM9	1 to 64 65	Segment driver outputs. S65/COM9 can be used as common driver output pin under the "set display technique" instruction.	-	O	OPEN
COM1 to COM8	73 to 66	Common driver outputs.	-	O	OPEN
KS1/P1 KS2/P2 KS3 to KS6 KS7/P3	74 75 76 to 79 85	Key scan outputs. Although normal key scan timing lines require diodes to be inserted in the timing lines to prevent shorts, since these outputs are unbalanced CMOS transistor outputs, these outputs will not be damaged by shorting when these outputs are used to form a key matrix. KS1/P1, KS2/P2, and KS7/P3 can be used as general-purpose output ports under the "set key scan output port/general-purpose output port state" instruction.	-	O	OPEN
KI1 to KI5	80 to 84	Key scan inputs. These pins have built-in pull-down resistors.	H	I	GND
OSC	95	Oscillator connections. An oscillator circuit is formed by connecting an external resistor and capacitor to this pin. This pin can also be used as the external clock input pin with the "set display technique" instruction.	-	I/O	V <sub>DD</sub>
CE	98	Serial data interface connections to the controller. Note that DO, being an open-drain output, requires a pull-up resistor. CE: Chip enable CL: Synchronization clock DI: Transfer data DO: Output data	H	I	GND
CL	99			I	
DI	100		-	I	
DO	97		-	O	OPEN
$\overline{\text{INH}}$	96	Input that turns the display off, disables key scanning, and forces the general-purpose output ports low. <ul style="list-style-type: none"> <li>When <math>\overline{\text{INH}}</math> is low (V<sub>SS</sub>): <ul style="list-style-type: none"> <li>Display off S1 to S64="L" (V<sub>LCD4</sub>) S65/COM9="L" (V<sub>LCD4</sub>) COM1 to COM8="L" (V<sub>LCD4</sub>)</li> <li>General-purpose output ports P1 to P3=low (V<sub>SS</sub>)</li> <li>Key scanning disabled: KS1 to KS7=low (V<sub>SS</sub>)</li> <li>All the key data is reset to low.</li> </ul> </li> <li>When <math>\overline{\text{INH}}</math> is high (V<sub>DD</sub>): <ul style="list-style-type: none"> <li>Display on</li> <li>The state of the pins as key scan output pins or general-purpose output ports can be set with the "set key scan output port/general-purpose output port state" instruction.</li> <li>Key scanning is enabled.</li> </ul> </li> </ul> However, serial data can be transferred when the $\overline{\text{INH}}$ pin is low.	L	I	V <sub>DD</sub>
TEST	94	This pin must be connected to ground.	-	I	-
V <sub>LCD0</sub>	88	LCD drive 4/4 bias voltage (high level) supply pin. The level on this pin can be changed by the display contrast adjustment circuit. However, (V <sub>LCD0</sub> - V <sub>LCD4</sub> ) must be greater than or equal to 4.5V. Also, external power must not be applied to this pin since the pin circuit includes the display contrast adjustment circuit.	-	O	OPEN
V <sub>LCD1</sub>	89	LCD drive 3/4 bias voltage (middle level) supply pin. This pin can be used to supply the 3/4 (V <sub>LCD</sub> - V <sub>LCD4</sub> ) voltage level externally.	-	I	OPEN
V <sub>LCD2</sub>	90	LCD drive 2/4 bias voltage (middle level) supply pin. This pin can be used to supply the 2/4 (V <sub>LCD0</sub> - V <sub>LCD4</sub> ) voltage level externally.	-	I	OPEN

Continued on next page.



# LC75812PT

Continued from preceding page.

Pin	Pin No.	Function	Active	I/O	Handling when unused
V <sub>LCD3</sub>	91	LCD drive 1/4 bias voltage (middle level) supply pin. This pin can be used to supply the 1/4 (V <sub>LCD0</sub> - V <sub>LCD4</sub> ) voltage level externally.	-	I	OPEN
V <sub>LCD4</sub>	92	LCD drive 0/4 bias voltage (low level) supply pin. Fine adjustment of the display contrast can be implemented by connecting an external variable resistor to this pin. However, (V <sub>LCD0</sub> - V <sub>LCD4</sub> ) must be greater than or equal to 4.5V, and V <sub>LCD4</sub> must be in the range 0V to 1.5V, inclusive.	-	I	GND
V <sub>DD</sub>	86	Logic block power supply connection. Provide a voltage of between 2.7 to 3.6V.	-	-	-
V <sub>LCD</sub>	87	LCD driver block power supply connection. Provide a voltage of between 7.0 to 10.0V when the display contrast adjustment circuit is used and provide a voltage of between 4.5 to 10.0V when the circuit is not used.	-	-	-
V <sub>SS</sub>	93	Power supply connection. Connect to ground.	-	-	-

## Block Functions

- AC (address counter)

AC is a counter that provides the addresses used for DCRAM and ADRAM. The address is automatically modified internally, and the LCD display state is retained.

- DCRAM (data control RAM)

DCRAM is RAM that is used to store display data expressed as 8-bit character codes. (These character codes are converted to 5×7 or 5×8 dot matrix character patterns using CGROM or CGRAM.) DCRAM has a capacity of 52×8 bits, and can hold 52 characters. The table below lists the correspondence between the 6-bit DCRAM address loaded into AC and the display position on the LCD panel.

- When the DCRAM address loaded into AC is 00H.

Display digit	1	2	3	4	5	6	7	8	9	10	11	12	13
DCRAM address (hexadecimal)	00	01	02	03	04	05	06	07	08	09	0A	0B	0C

However, when the display shift is performed by specifying MDATA, the DCRAM address shifts as shown below.

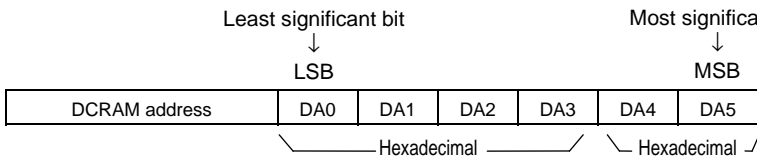
Display digit	1	2	3	4	5	6	7	8	9	10	11	12	13
DCRAM address (hexadecimal)	01	02	03	04	05	06	07	08	09	0A	0B	0C	0D

(shift left)

Display digit	1	2	3	4	5	6	7	8	9	10	11	12	13
DCRAM address (hexadecimal)	33	00	01	02	03	04	05	06	07	08	09	0A	0B

(shift right)

Note: \*3. The DCRAM address is expressed in hexadecimal.



Example: When the DCRAM address is 2EH.

DA0	DA1	DA2	DA3	DA4	DA5
0	1	1	1	0	1

Note: \*4. 5×7 dots ●●●●● 13th digit display 5×7 dots  
 5×8 dots ●●●●● 13th digit display 4×8 dots

# LC75812PT

- **ADRAM (Additional data RAM)**

ADRAM is RAM that is used to store the ADATA display data. ADRAM has a capacity of 13×5 bits, and the stored display data is displayed directly without the use of CGROM or CGRAM. The table below lists the correspondence between the 4-bit ADRAM address loaded into AC and the display position on the LCD panel.

- When the ADRAM address loaded into AC is 0H. (Number of digit displayed: 13)

Display digit	1	2	3	4	5	6	7	8	9	10	11	12	13
ADRAM address (hexadecimal)	0	1	2	3	4	5	6	7	8	9	A	B	C

However, when the display shift is performed by specifying ADATA, the ADRAM address shifts as shown below.

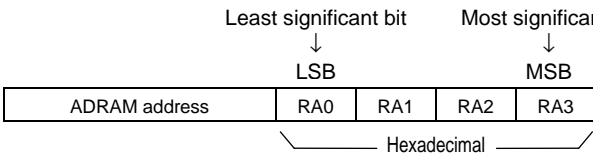
Display digit	1	2	3	4	5	6	7	8	9	10	11	12	13
ADRAM address (hexadecimal)	1	2	3	4	5	6	7	8	9	A	B	C	0

(shift left)

Display digit	1	2	3	4	5	6	7	8	9	10	11	12	13
ADRAM address (hexadecimal)	C	0	1	2	3	4	5	6	7	8	9	A	B

(shift right)

Note: \*5. The ADRAM address is expressed in hexadecimal.



Example: When the ADRAM address is AH.

RA0	RA1	RA2	RA3
0	1	0	1

Note: \*6. 5×7 dots ●●●●● 13th digit display 5 dots  
 5×8 dots ●●●●● 13th digit display 4 dots

- **CGROM (Character generator ROM)**

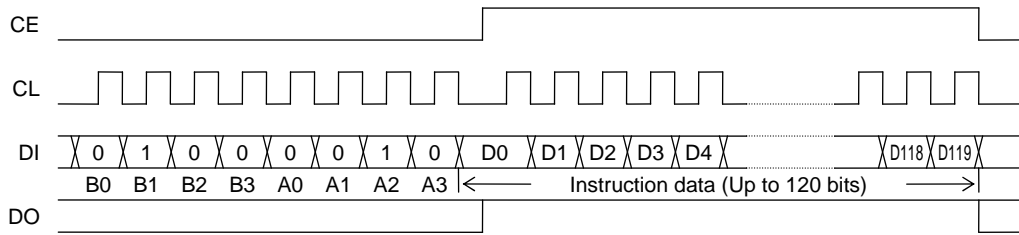
CGROM is ROM that is used to generate the 240 kinds of 5×7 or 5×8 dot matrix character patterns from the 8-bit character codes. CGROM has a capacity of 240×40 bits. When a character code is written to DCRAM, the character pattern stored in CGROM corresponding to the character code is displayed at the position on the LCD corresponding to the DCRAM address loaded into AC.

- **CGRAM (Character generator RAM)**

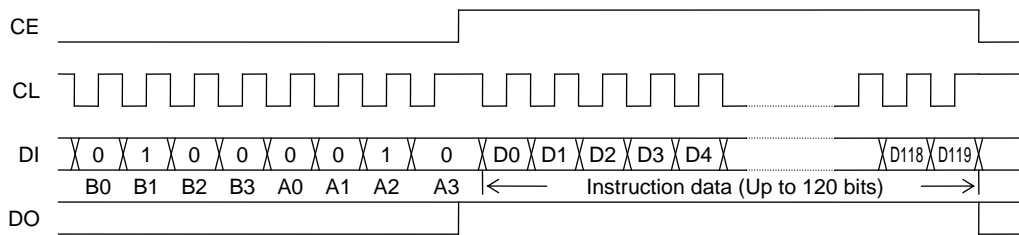
CGRAM is RAM to which user programs can freely write arbitrary character patterns. Up to 16 kinds of 5×7 or 5×8 dot matrix character patterns can be stored. CGRAM has a capacity of 16×40 bits.

**Serial Data Input**

(1) When CL is stopped at the low level



(2) When CL is stopped at the high level



- B0 to B3, A0 to A3: CCB address 42H
- D0 to D119: Instruction data

The data is acquired on the rising edge of the CL signal and latched on the falling edge of the CE signal. When transferring instruction data from the microcontroller, applications must assure that the time from the transfer of one set of instruction data until the next instruction data transfer is significantly longer than the instruction execution time.

Instruction Table

Instruction	D0...D56...D71	D72...D77 D78 D79	D80...D85 D86 D87	D88...D93 D94 D95	D96 D97 D98 D99 D100 D101 D102 D103	D104 D105 D106 D107 D108 D109 D110 D111	D112 D113 D114 D115	D116 D117 D118 D119	Execution time *11
Set display technique *7							DT FC0 FC1 OC	0 0 0 1	0µs/ 108µs *7
Display on/off control				DG1 DG2 DG3 DG4 DG5 DG6 DG7 DG8		DG9 DG10 DG11 DG12 DG13 X X X	M A SC SP	0 0 1 0	0µs/27µs *8
Display shift							M A R/L X	0 0 1 1	27µs
Set AC address						DA0 DA1 DA2 DA3 DA4 DA5 X X	RA0 RA1 RA2 RA3	0 1 0 0	27µs
DCRAM data write *9					AC0 AC1 AC2 AC3 AC4 AC5 AC6 AC7	DA0 DA1 DA2 DA3 DA4 DA5 X X	IM1 IM2 X X	0 1 0 1	27µs/tµs *9
ADRAM data write *10					AD1 AD2 AD3 AD4 AD5 X X X	RA0 RA1 RA2 RA3 X X X X	IM1 IM2 X X	0 1 1 0	27µs/tµs *10
CGRAM data write	... CD1...CD16	CD17 ... CD24	CD25 ... CD32	CD33 ... CD40	X X X X X X X X X X X X	CA0 CA1 CA2 CA3 CA4 CA5 CA6 CA7	X X X X X	0 1 1 1	27µs
Set display contrast						CT0 CT1 CT2 CT3 X X X X	CTC X X X	1 0 0 0	0µs
Set key scan output port/ general-purpose output port state		W10...W15 W20 W21	W22...W25...W33	W34 W35 PC10...PC31	PC32 PF0 PF1 PF2 PF3 KC1 KC2 KC3	KC4 KC5 KC6 KC7 KP1 KP2 KP3 X	X X X X X	1 0 0 1	0µs

X: don't care

- Notes:
- \*7. Be sure to execute the "set display technique" instruction first after power-on (VDET-based system reset). Note that the execution time of this first instruction is 108µs (fosc=300kHz, fCK=300kHz).
  - \*8. When the sleep mode (SP = 1) is set, the execution time is 27µs (when fosc = 300kHz, fCK = 300kHz).
  - \*9. The data format differs when the DCRAM data write instruction is executed in the normal increment mode (IM1=1, IM2=0) or in the super increment mode (IM1=0, IM2=1). Note that the execution time for the DCRAM data write instruction executed in the super increment mode is tµs (fosc=300kHz, fCK=300kHz). (See the detailed descriptions.) (See the detailed descriptions.)
  - \*10. The data format differs when the ADRAM data write instruction is executed in the normal increment mode (IM1=1, IM2=0) or in the super increment mode (IM1=0, IM2=1). Note that the execution time for the ADRAM data write instruction executed in the super increment mode is tµs (fosc=300kHz, fCK=300kHz). (See the detailed descriptions.)
  - \*11. The execution times listed here apply when fosc=300kHz, fCK=300kHz. The execution times differ when the oscillator frequency fosc or the external clock frequency fCK differs.

Example: When fosc = 210kHz, fCK = 210kHz

$$27\mu s \times \frac{300}{210} = 39\mu s, 108\mu s \times \frac{300}{210} = 155\mu s, t\mu s \times \frac{300}{210} = t\mu s \times 1.43\mu s$$

## Detailed Instruction Descriptions

- Set display technique ... <Sets the display technique>  
(Display technique)

Code							
D112	D113	D114	D115	D116	D117	D118	D119
DT	FC0	FC1	OC	0	0	0	1

X: don't care

Note: Be sure to execute the "set display technique" instruction first after power-on (V<sub>DET</sub>-based system reset).

DT: Sets the display technique

DT	Display technique	Output pins
		S65/COM9
0	1/8 duty, 1/4 bias drive	S65
1	1/9 duty, 1/4 bias drive	COM9

Note: \*12. S65: Segment output  
COM9: Common output

FC0, FC1: Sets the frame frequency of the common and segment output waveforms

FC0	FC1	Frame frequency	
		1/8 duty, 1/4 bias drive f8[Hz]	1/9 duty, 1/4 bias drive f9[Hz]
0	0	fosc/3072, f <sub>CK</sub> /3072	fosc/3456, f <sub>CK</sub> /3456
1	0	fosc/1536, f <sub>CK</sub> /1536	fosc/1728, f <sub>CK</sub> /1728
0	1	fosc/768, f <sub>CK</sub> /768	fosc/864, f <sub>CK</sub> /864

OC: Sets the RC oscillator operating mode and external clock operating mode.

OC	OSC pin function
0	RC oscillator operating mode
1	External clock operating mode

Note: \*13. When selecting the RC oscillator operating mode, be sure to connect an external resistor R<sub>osc</sub> and an external capacitor C<sub>osc</sub> to the OSC pin.

- Display on/off control ... <Turns the display on or off>  
(Display ON/OFF control)

Code																							
D96	D97	D98	D99	D100	D101	D102	D103	D104	D105	D106	D107	D108	D109	D110	D111	D112	D113	D114	D115	D116	D117	D118	D119
DG1	DG2	DG3	DG4	DG5	DG6	DG7	DG8	DG9	DG10	DG11	DG12	DG13	X	X	X	M	A	SC	SP	0	0	1	0

X: don't care

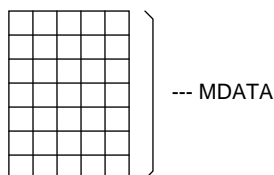
M, A: Specifies the data to be turned on or off

M	A	Display operating state
0	0	Both MDATA and ADATA are turned off (The display is forcibly turned off regardless of the DG1 to DG13 data.)
0	1	Only ADATA is turned on (The ADATA of display digits specified by the DG1 to DG13 data are turned on.)
1	0	Only MDATA is turned on (The MDATA of display digits specified by the DG1 to DG13 data are turned on.)
1	1	Both MDATA and ADATA are turned on (The MDATA and ADATA of display digits specified by the DG1 to DG13 data are turned on.)

Note: \*14. MDATA, ADATA

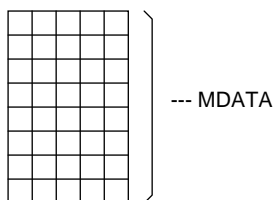
5×7 dot matrix display

○ ○ ○ ○ ○ ----- ADATA



5×8 dot matrix display

○ ○ ○ ○ ○ ----- ADATA



# LC75812PT

**DG1 to DG13: Specifies the display digit**

Display digit	1	2	3	4	5	6	7	8	9	10	11	12	13
Display digit data	DG1	DG2	DG3	DG4	DG5	DG6	DG7	DG8	DG9	DG10	DG11	DG12	DG13

For example, if DG1 to DG7 are 1, and DG8 to DG13 are 0, then display digits 1 to 7 will be turned on, and display digits 8 to 13 will be turned off (blanked).

**SC: Controls the common and segment output pins**

SC	Common and segment output pin states
0	Output of LCD drive waveforms
1	Fixed at the $V_{LCD4}$ level (all segments off)

Note: \*15. When SC is 1, the S1 to S65 and COM1 to COM9 output pins are set to the  $V_{LCD4}$  level, regardless of the M, A, and DG1 to DG13 data.

**SP: Controls the normal mode and sleep mode**

SP	Mode
0	Normal mode
1	<p>Sleep mode</p> <p>The common and segment pins go to the <math>V_{LCD4}</math> level and the oscillator on the OSC pin is stopped (although it operates during key scan operations) in RC oscillator operating mode (OC="0") and reception of the external clock is stopped (external clock is received during key scan operations) in external clock operating mode (OC="1"), to reduce current drain.</p> <p>Although the "display on/off control", "set display contrast" and "set key scan output port/general-purpose output port state" (disallowed to set pins P1 to P3 for PWM signal output and pin P3 for clock signal output) instructions can be executed in this mode, applications must return the IC to normal mode to execute any of the other instruction setting. When the IC is in external clock operating mode, be sure to stop the external clock input after the lapse of the instruction execution time (<math>27\mu\text{s}</math>: <math>f_{CK}=300\text{kHz}</math>).</p>

- Display shift ... <Shifts the display>  
(Display shift)

Code							
D112	D113	D114	D115	D116	D117	D118	D119
M	A	R/L	X	0	0	1	1

X: don't care

**M, A: Specifies the data to be shifted**

M	A	Shift operating state
0	0	Neither MDATA nor ADATA is shifted
0	1	Only ADATA is shifted
1	0	Only MDATA is shifted
1	1	Both MDATA and ADATA are shifted

**R/L: Specifies the shift direction**

R/L	Shift direction
0	Shift left
1	Shift right

## LC75812PT

- Set AC address... <Specifies the DCRAM and ADRAM address for AC>  
(Set AC)

Code															
D104	D105	D106	D107	D108	D109	D110	D111	D112	D113	D114	D115	D116	D117	D118	D119
DA0	DA1	DA2	DA3	DA4	DA5	X	X	RA0	RA1	RA2	RA3	0	1	0	0

X: don't care

DA0 to DA5: DCRAM address

DA0	DA1	DA2	DA3	DA4	DA5
LSB			MSB		
↑					↑

Least significant bit

Most significant bit

RA0 to RA3: ADRAM address

RA0	RA1	RA2	RA3
LSB		MSB	
↑		↑	

Least significant bit    Most significant bit

This instruction loads the 6-bit DCRAM address DA0 to DA5 and the 4-bit ADRAM address RA0 to RA3 into the AC.

- DCRAM data write ... <Specifies the DCRAM address and stores data at that address>  
(Write data to DCRAM)

Code																							
D96	D97	D98	D99	D100	D101	D102	D103	D104	D105	D106	D107	D108	D109	D110	D111	D112	D113	D114	D115	D116	D117	D118	D119
AC0	AC1	AC2	AC3	AC4	AC5	AC6	AC7	DA0	DA1	DA2	DA3	DA4	DA5	X	X	IM1	IM2	X	X	0	1	0	1

X: don't care

DA0 to DA5: DCRAM address

DA0	DA1	DA2	DA3	DA4	DA5
LSB			MSB		
↑					↑

Least significant bit

Most significant bit

AC0 to AC7: DCRAM data (character code)

AC0	AC1	AC2	AC3	AC4	AC5	AC6	AC7
LSB				MSB			
↑							↑

Least significant bit

Most significant bit

This instruction writes the 8 bits of data AC0 to AC7 to DCRAM. This data is a character code, and is converted to a 5×7 or 5×8 dot matrix display data using CGROM or CGRAM.

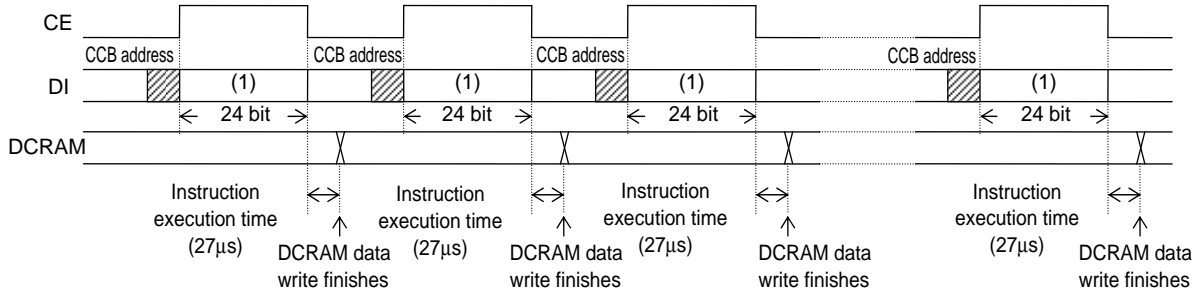
IM1, IM2: Sets the method of writing data to DCRAM

IM1	IM2	DCRAM data write method
0	0	Normal DCRAM data write (Specifies the DCRAM address and writes the DCRAM data.)
1	0	Normal increment mode DCRAM data write (Increments the DCRAM address by +1 each time data is written to DCRAM.)
0	1	Super increment mode DCRAM data write (Writes 2 to 13 characters of DCRAM data in single operation.)

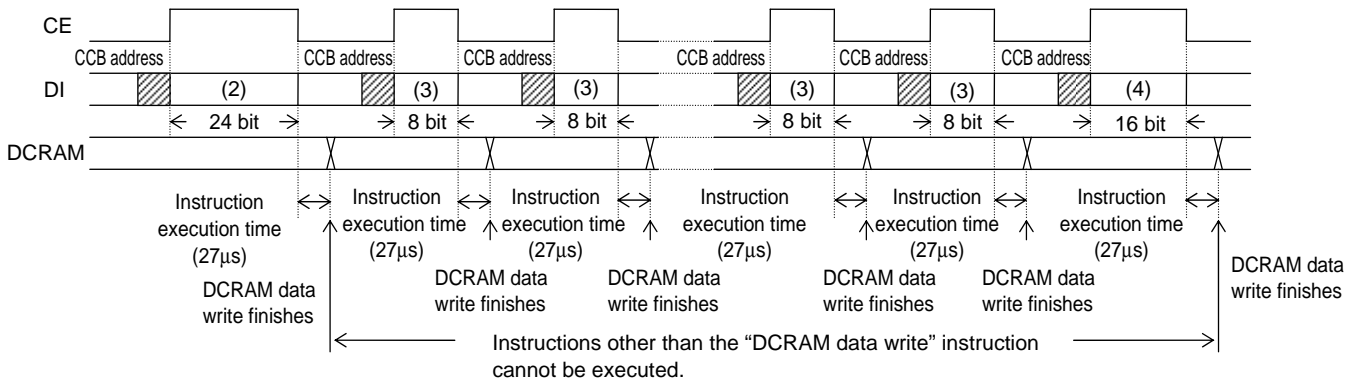
# LC75812PT

Notes: \*16.

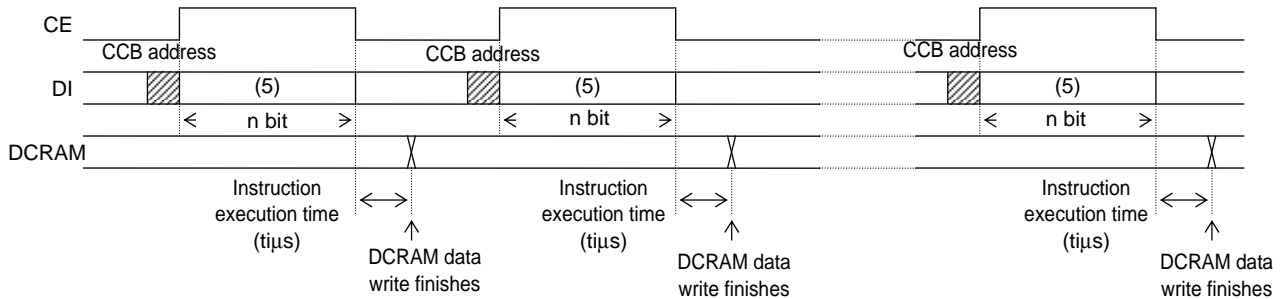
- DCRAM data write method when IM1 = 0, IM2 = 0



- DCRAM data write method when IM1 = 1, IM2 = 0  
(Instructions other than the “DCRAM data write” instruction cannot be executed.)



- DCRAM data write method when IM1 = 0, IM2 = 1



$$t_i = 13.5 \mu s \times \left( \frac{n}{8} - 1 \right)$$

( $n = 8m + 16$ ,  $m$  is an integer between 2 and 13 that is the number of characters written as DCRAM data.)

For example

$$\begin{cases} \text{When } n = 32 \text{ bits (} m = 2 \text{): } t_i = 40.5 \mu s \text{ (} f_{osc} = 300 \text{kHz, } f_{CK} = 300 \text{kHz)} \\ \text{When } n = 80 \text{ bits (} m = 8 \text{): } t_i = 121.5 \mu s \text{ (} f_{osc} = 300 \text{kHz, } f_{CK} = 300 \text{kHz)} \\ \text{When } n = 120 \text{ bits (} m = 13 \text{): } t_i = 189.0 \mu s \text{ (} f_{osc} = 300 \text{kHz, } f_{CK} = 300 \text{kHz)} \end{cases}$$

Note that the instruction execution time of 27µs and  $t_i$  values in µs apply when  $f_{osc} = 300 \text{kHz}$  and  $f_{CK} = 300 \text{kHz}$ , and that these execution times will differ when the CR oscillator frequency  $f_{osc}$  and external clock frequency  $f_{CK}$  differ.



# LC75812PT

## Data format at (1) (24 bits)

Code																							
D96	D97	D98	D99	D100	D101	D102	D103	D104	D105	D106	D107	D108	D109	D110	D111	D112	D113	D114	D115	D116	D117	D118	D119
AC0	AC1	AC2	AC3	AC4	AC5	AC6	AC7	DA0	DA1	DA2	DA3	DA4	DA5	X	X	0	0	X	X	0	1	0	1

X: don't care

## Data format at (2) (24 bits)

Code																							
D96	D97	D98	D99	D100	D101	D102	D103	D104	D105	D106	D107	D108	D109	D110	D111	D112	D113	D114	D115	D116	D117	D118	D119
AC0	AC1	AC2	AC3	AC4	AC5	AC6	AC7	DA0	DA1	DA2	DA3	DA4	DA5	X	X	1	0	X	X	0	1	0	1

X: don't care

## Data format at (3) (8 bits)

Code							
D112	D113	D114	D115	D116	D117	D118	D119
AC0	AC1	AC2	AC3	AC4	AC5	AC6	AC7

## Data format at (4) (16 bits)

Code															
D104	D105	D106	D107	D108	D109	D110	D111	D112	D113	D114	D115	D116	D117	D118	D119
AC0	AC1	AC2	AC3	AC4	AC5	AC6	AC7	0	0	X	X	0	1	0	1

## Data format at (5) (n bit)

Code																							
Dz	Dz+1	Dz+2	Dz+3	Dz+4	Dz+5	Dz+6	Dz+7	.....								D88	D89	D90	D91	D92	D93	D94	D95
AC0 <sub>1</sub>	AC1 <sub>1</sub>	AC2 <sub>1</sub>	AC3 <sub>1</sub>	AC4 <sub>1</sub>	AC5 <sub>1</sub>	AC6 <sub>1</sub>	AC7 <sub>1</sub>	.....								AC0 <sub>m-1</sub>	AC1 <sub>m-1</sub>	AC2 <sub>m-1</sub>	AC3 <sub>m-1</sub>	AC4 <sub>m-1</sub>	AC5 <sub>m-1</sub>	AC6 <sub>m-1</sub>	AC7 <sub>m-1</sub>

Code																							
D96	D97	D98	D99	D100	D101	D102	D103	D104	D105	D106	D107	D108	D109	D110	D111	D112	D113	D114	D115	D116	D117	D118	D119
AC0 <sub>m</sub>	AC1 <sub>m</sub>	AC2 <sub>m</sub>	AC3 <sub>m</sub>	AC4 <sub>m</sub>	AC5 <sub>m</sub>	AC6 <sub>m</sub>	AC7 <sub>m</sub>	DA0 <sub>1</sub>	DA1 <sub>1</sub>	DA2 <sub>1</sub>	DA3 <sub>1</sub>	DA4 <sub>1</sub>	DA5 <sub>1</sub>	X	X	0	1	X	X	0	1	0	1

X: don't care

Here,  $n=8m+16$ ,  $z=104-8m$  ( $m$  is an integer between 2 and 13 that is the number of characters written as DCRAM data.)

## Correspondence between the DCRAM address and the DCRAM data

DCRAM address	DCRAM data
DA0 <sub>1</sub> to DA5 <sub>1</sub>	AC0 <sub>1</sub> to AC7 <sub>1</sub>
(DA0 <sub>1</sub> to DA5 <sub>1</sub> )+1	AC0 <sub>2</sub> to AC7 <sub>2</sub>
(DA0 <sub>1</sub> to DA5 <sub>1</sub> )+2	AC0 <sub>3</sub> to AC7 <sub>3</sub>
⋮	⋮
(DA0 <sub>1</sub> to DA5 <sub>1</sub> )+(m-3)	AC0 <sub>m-2</sub> to AC7 <sub>m-2</sub>
(DA0 <sub>1</sub> to DA5 <sub>1</sub> )+(m-2)	AC0 <sub>m-1</sub> to AC7 <sub>m-1</sub>
(DA0 <sub>1</sub> to DA5 <sub>1</sub> )+(m-1)	AC0 <sub>m</sub> to AC7 <sub>m</sub>

# LC75812PT

Example 1: When n=32 bits (m=2: 2 characters DCRAM data write operation)

Code															
D88	D89	D90	D91	D92	D93	D94	D95	D96	D97	D98	D99	D100	D101	D102	D103
AC0 <sub>1</sub>	AC1 <sub>1</sub>	AC2 <sub>1</sub>	AC3 <sub>1</sub>	AC4 <sub>1</sub>	AC5 <sub>1</sub>	AC6 <sub>1</sub>	AC7 <sub>1</sub>	AC0 <sub>2</sub>	AC1 <sub>2</sub>	AC2 <sub>2</sub>	AC3 <sub>2</sub>	AC4 <sub>2</sub>	AC5 <sub>2</sub>	AC6 <sub>2</sub>	AC7 <sub>2</sub>

Code															
D104	D105	D106	D107	D108	D109	D110	D111	D112	D113	D114	D115	D116	D117	D118	D119
DA0 <sub>1</sub>	DA1 <sub>1</sub>	DA2 <sub>1</sub>	DA3 <sub>1</sub>	DA4 <sub>1</sub>	DA5 <sub>1</sub>	X	X	0	1	X	X	0	1	0	1

X: don't care

Correspondence between the DCRAM address and the DCRAM data

DCRAM address	DCRAM data
DA0 <sub>1</sub> to DA5 <sub>1</sub>	AC0 <sub>1</sub> to AC7 <sub>1</sub>
(DA0 <sub>1</sub> to DA5 <sub>1</sub> )+1	AC0 <sub>2</sub> to AC7 <sub>2</sub>

Example 2: When n=80 bits (m=8: 8 characters DCRAM data write operation)

Code															
D40	D41	D42	D43	D44	D45	D46	D47	D48	D49	D50	D51	D52	D53	D54	D55
AC0 <sub>1</sub>	AC1 <sub>1</sub>	AC2 <sub>1</sub>	AC3 <sub>1</sub>	AC4 <sub>1</sub>	AC5 <sub>1</sub>	AC6 <sub>1</sub>	AC7 <sub>1</sub>	AC0 <sub>2</sub>	AC1 <sub>2</sub>	AC2 <sub>2</sub>	AC3 <sub>2</sub>	AC4 <sub>2</sub>	AC5 <sub>2</sub>	AC6 <sub>2</sub>	AC7 <sub>2</sub>

Code															
D56	D57	D58	D59	D60	D61	D62	D63	D64	D65	D66	D67	D68	D69	D70	D71
AC0 <sub>3</sub>	AC1 <sub>3</sub>	AC2 <sub>3</sub>	AC3 <sub>3</sub>	AC4 <sub>3</sub>	AC5 <sub>3</sub>	AC6 <sub>3</sub>	AC7 <sub>3</sub>	AC0 <sub>4</sub>	AC1 <sub>4</sub>	AC2 <sub>4</sub>	AC3 <sub>4</sub>	AC4 <sub>4</sub>	AC5 <sub>4</sub>	AC6 <sub>4</sub>	AC7 <sub>4</sub>

Code															
D72	D73	D74	D75	D76	D77	D78	D79	D80	D81	D82	D83	D84	D85	D86	D87
AC0 <sub>5</sub>	AC1 <sub>5</sub>	AC2 <sub>5</sub>	AC3 <sub>5</sub>	AC4 <sub>5</sub>	AC5 <sub>5</sub>	AC6 <sub>5</sub>	AC7 <sub>5</sub>	AC0 <sub>6</sub>	AC1 <sub>6</sub>	AC2 <sub>6</sub>	AC3 <sub>6</sub>	AC4 <sub>6</sub>	AC5 <sub>6</sub>	AC6 <sub>6</sub>	AC7 <sub>6</sub>

Code															
D88	D89	D90	D91	D92	D93	D94	D95	D96	D97	D98	D99	D100	D101	D102	D103
AC0 <sub>7</sub>	AC1 <sub>7</sub>	AC2 <sub>7</sub>	AC3 <sub>7</sub>	AC4 <sub>7</sub>	AC5 <sub>7</sub>	AC6 <sub>7</sub>	AC7 <sub>7</sub>	AC0 <sub>8</sub>	AC1 <sub>8</sub>	AC2 <sub>8</sub>	AC3 <sub>8</sub>	AC4 <sub>8</sub>	AC5 <sub>8</sub>	AC6 <sub>8</sub>	AC7 <sub>8</sub>

Code															
D104	D105	D106	D107	D108	D109	D110	D111	D112	D113	D114	D115	D116	D117	D118	D119
DA0 <sub>1</sub>	DA1 <sub>1</sub>	DA2 <sub>1</sub>	DA3 <sub>1</sub>	DA4 <sub>1</sub>	DA5 <sub>1</sub>	X	X	0	1	X	X	0	1	0	1

X: don't care

Correspondence between the DCRAM address and the DCRAM data

DCRAM address	DCRAM data
DA0 <sub>1</sub> to DA5 <sub>1</sub>	AC0 <sub>1</sub> to AC7 <sub>1</sub>
(DA0 <sub>1</sub> to DA5 <sub>1</sub> )+1	AC0 <sub>2</sub> to AC7 <sub>2</sub>
(DA0 <sub>1</sub> to DA5 <sub>1</sub> )+2	AC0 <sub>3</sub> to AC7 <sub>3</sub>
(DA0 <sub>1</sub> to DA5 <sub>1</sub> )+3	AC0 <sub>4</sub> to AC7 <sub>4</sub>
(DA0 <sub>1</sub> to DA5 <sub>1</sub> )+4	AC0 <sub>5</sub> to AC7 <sub>5</sub>
(DA0 <sub>1</sub> to DA5 <sub>1</sub> )+5	AC0 <sub>6</sub> to AC7 <sub>6</sub>
(DA0 <sub>1</sub> to DA5 <sub>1</sub> )+6	AC0 <sub>7</sub> to AC7 <sub>7</sub>
(DA0 <sub>1</sub> to DA5 <sub>1</sub> )+7	AC0 <sub>8</sub> to AC7 <sub>8</sub>

# LC75812PT

Example 3: When n=120 bits (m=13: 13 characters DCRAM data write operation)

Code															
D0	D1	D2	D3	D4	D5	D6	D7	D8	D9	D10	D11	D12	D13	D14	D15
AC0 <sub>1</sub>	AC1 <sub>1</sub>	AC2 <sub>1</sub>	AC3 <sub>1</sub>	AC4 <sub>1</sub>	AC5 <sub>1</sub>	AC6 <sub>1</sub>	AC7 <sub>1</sub>	AC0 <sub>2</sub>	AC1 <sub>2</sub>	AC2 <sub>2</sub>	AC3 <sub>2</sub>	AC4 <sub>2</sub>	AC5 <sub>2</sub>	AC6 <sub>2</sub>	AC7 <sub>2</sub>

Code															
D16	D17	D18	D19	D20	D21	D22	D23	D24	D25	D26	D27	D28	D29	D30	D31
AC0 <sub>3</sub>	AC1 <sub>3</sub>	AC2 <sub>3</sub>	AC3 <sub>3</sub>	AC4 <sub>3</sub>	AC5 <sub>3</sub>	AC6 <sub>3</sub>	AC7 <sub>3</sub>	AC0 <sub>4</sub>	AC1 <sub>4</sub>	AC2 <sub>4</sub>	AC3 <sub>4</sub>	AC4 <sub>4</sub>	AC5 <sub>4</sub>	AC6 <sub>4</sub>	AC7 <sub>4</sub>

Code															
D32	D33	D34	D35	D36	D37	D38	D39	D40	D41	D42	D43	D44	D45	D46	D47
AC0 <sub>5</sub>	AC1 <sub>5</sub>	AC2 <sub>5</sub>	AC3 <sub>5</sub>	AC4 <sub>5</sub>	AC5 <sub>5</sub>	AC6 <sub>5</sub>	AC7 <sub>5</sub>	AC0 <sub>6</sub>	AC1 <sub>6</sub>	AC2 <sub>6</sub>	AC3 <sub>6</sub>	AC4 <sub>6</sub>	AC5 <sub>6</sub>	AC6 <sub>6</sub>	AC7 <sub>6</sub>

Code															
D48	D49	D50	D51	D52	D53	D54	D55	D56	D57	D58	D59	D60	D61	D62	D63
AC0 <sub>7</sub>	AC1 <sub>7</sub>	AC2 <sub>7</sub>	AC3 <sub>7</sub>	AC4 <sub>7</sub>	AC5 <sub>7</sub>	AC6 <sub>7</sub>	AC7 <sub>7</sub>	AC0 <sub>8</sub>	AC1 <sub>8</sub>	AC2 <sub>8</sub>	AC3 <sub>8</sub>	AC4 <sub>8</sub>	AC5 <sub>8</sub>	AC6 <sub>8</sub>	AC7 <sub>8</sub>

Code															
D64	D65	D66	D67	D68	D69	D70	D71	D72	D73	D74	D75	D76	D77	D78	D79
AC0 <sub>9</sub>	AC1 <sub>9</sub>	AC2 <sub>9</sub>	AC3 <sub>9</sub>	AC4 <sub>9</sub>	AC5 <sub>9</sub>	AC6 <sub>9</sub>	AC7 <sub>9</sub>	AC0 <sub>10</sub>	AC1 <sub>10</sub>	AC2 <sub>10</sub>	AC3 <sub>10</sub>	AC4 <sub>10</sub>	AC5 <sub>10</sub>	AC6 <sub>10</sub>	AC7 <sub>10</sub>

Code															
D80	D81	D82	D83	D84	D85	D86	D87	D88	D89	D90	D91	D92	D93	D94	D95
AC0 <sub>11</sub>	AC1 <sub>11</sub>	AC2 <sub>11</sub>	AC3 <sub>11</sub>	AC4 <sub>11</sub>	AC5 <sub>11</sub>	AC6 <sub>11</sub>	AC7 <sub>11</sub>	AC0 <sub>12</sub>	AC1 <sub>12</sub>	AC2 <sub>12</sub>	AC3 <sub>12</sub>	AC4 <sub>12</sub>	AC5 <sub>12</sub>	AC6 <sub>12</sub>	AC7 <sub>12</sub>

Code															
D96	D97	D98	D99	D100	D101	D102	D103	D104	D105	D106	D107	D108	D109	D110	D111
AC0 <sub>13</sub>	AC1 <sub>13</sub>	AC2 <sub>13</sub>	AC3 <sub>13</sub>	AC4 <sub>13</sub>	AC5 <sub>13</sub>	AC6 <sub>13</sub>	AC7 <sub>13</sub>	DA0 <sub>1</sub>	DA1 <sub>1</sub>	DA2 <sub>1</sub>	DA3 <sub>1</sub>	DA4 <sub>1</sub>	DA5 <sub>1</sub>	X	X

Code							
D112	D113	D114	D115	D116	D117	D118	D119
0	1	X	X	0	1	0	1

X: don't care

Correspondence between the DCRAM address and the DCRAM data

DCRAM address	DCRAM data
DA0 <sub>1</sub> to DA5 <sub>1</sub>	AC0 <sub>1</sub> to AC7 <sub>1</sub>
(DA0 <sub>1</sub> to DA5 <sub>1</sub> )+1	AC0 <sub>2</sub> to AC7 <sub>2</sub>
(DA0 <sub>1</sub> to DA5 <sub>1</sub> )+2	AC0 <sub>3</sub> to AC7 <sub>3</sub>
(DA0 <sub>1</sub> to DA5 <sub>1</sub> )+3	AC0 <sub>4</sub> to AC7 <sub>4</sub>
(DA0 <sub>1</sub> to DA5 <sub>1</sub> )+4	AC0 <sub>5</sub> to AC7 <sub>5</sub>
(DA0 <sub>1</sub> to DA5 <sub>1</sub> )+5	AC0 <sub>6</sub> to AC7 <sub>6</sub>
(DA0 <sub>1</sub> to DA5 <sub>1</sub> )+6	AC0 <sub>7</sub> to AC7 <sub>7</sub>

DCRAM address	DCRAM data
(DA0 <sub>1</sub> to DA5 <sub>1</sub> )+7	AC0 <sub>8</sub> to AC7 <sub>8</sub>
(DA0 <sub>1</sub> to DA5 <sub>1</sub> )+8	AC0 <sub>9</sub> to AC7 <sub>9</sub>
(DA0 <sub>1</sub> to DA5 <sub>1</sub> )+9	AC0 <sub>10</sub> to AC7 <sub>10</sub>
(DA0 <sub>1</sub> to DA5 <sub>1</sub> )+10	AC0 <sub>11</sub> to AC7 <sub>11</sub>
(DA0 <sub>1</sub> to DA5 <sub>1</sub> )+11	AC0 <sub>12</sub> to AC7 <sub>12</sub>
(DA0 <sub>1</sub> to DA5 <sub>1</sub> )+12	AC0 <sub>13</sub> to AC7 <sub>13</sub>

# LC75812PT

- ADRAM data write ... <Specifies the ADRAM address and stores data at that address>  
(Write data to ADRAM)

Code																							
D96	D97	D98	D99	D100	D101	D102	D103	D104	D105	D106	D107	D108	D109	D110	D111	D112	D113	D114	D115	D116	D117	D118	D119
AD1	AD2	AD3	AD4	AD5	X	X	X	RA0	RA1	RA2	RA3	X	X	X	X	IM1	IM2	X	X	0	1	1	0

X: don't care

RA0 to RA3:ADRAM address

RA0	RA1	RA2	RA3
-----	-----	-----	-----

LSB

MSB

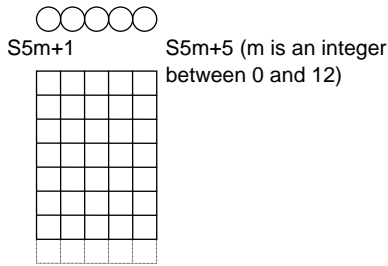


Least significant bit

Most significant bit

AD1 to AD5: ADATA display data

In addition to the 5×7 or 5×8 dot matrix display data (MDATA), this IC supports direct display of the five accessory display segments provided in each digit as ADATA. This display function does not use CGROM or CGRAM. The figure below shows the correspondence between the data and the display. When AD<sub>n</sub> = 1 (where n is an integer between 1 and 5) the segment corresponding to that data will be turned on.



ADATA	Corresponding output pin
AD1	$S5m+1$ (m is an integer between 0 and 12)
AD2	$S5m+2$
AD3	$S5m+3$
AD4	$S5m+4$
AD5	$S5m+5$

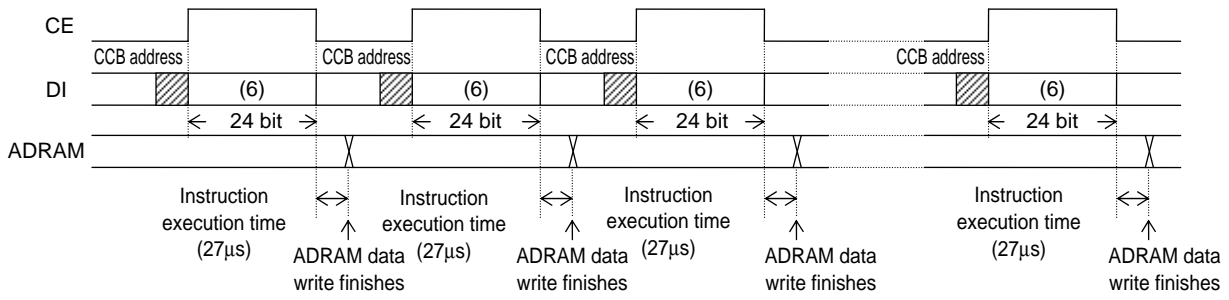
IM1, IM2: Sets the method of writing data to ADRAM

IM1	IM2	ADRAM data write method
0	0	Normal ADRAM data write (Specifies the ADRAM address and writes the ADRAM data.)
1	0	Normal increment mode ADRAM data write (Increments the ADRAM address by +1 each time data is written to ADRAM.)
0	1	Super increment mode ADRAM data write (Writes 2 to 13 digits of ADRAM data in single operation.)

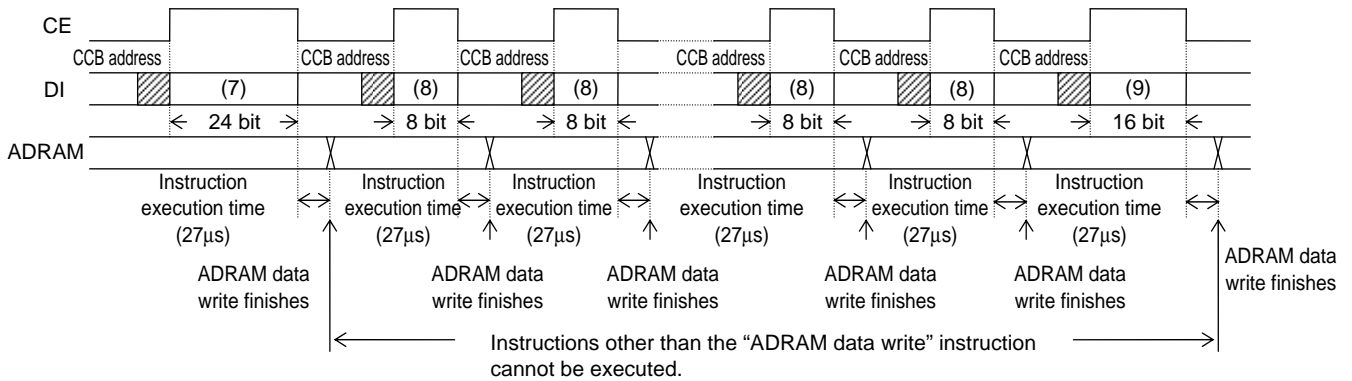
# LC75812PT

Notes: \*17.

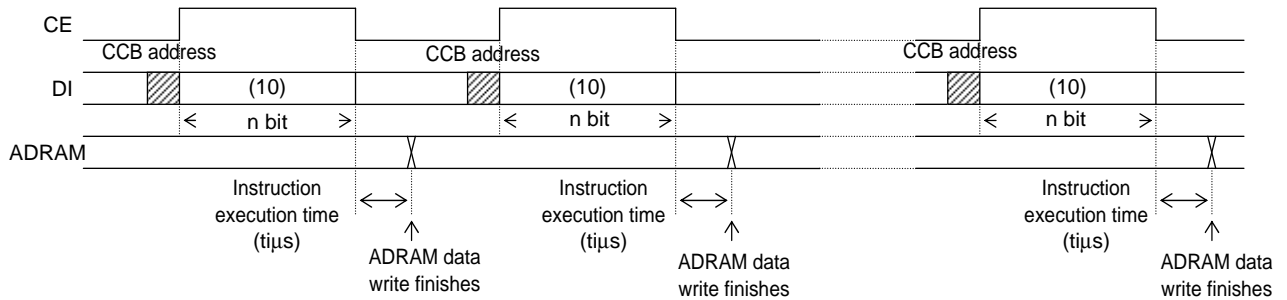
- ADRAM data write method when IM1 = 0, IM2 = 0



- ADRAM data write method when IM1 = 1, IM2 = 0  
(Instructions other than the “ADRAM data write” instruction cannot be executed.)



- ADRAM data write method when IM1 = 0, IM2 = 1



$$t_i = 13.5\mu s \times \left(\frac{n}{8} - 1\right)$$

( $n=8m+16$ ,  $m$  is an integer between 2 and 13 that is the number of characters written as ADRAM data.)

For example

$$\begin{cases} \text{When } n=32 \text{ bits (} m=2\text{): } t_i=40.5\mu s \text{ (} f_{osc}=300\text{kHz, } f_{CK}=300\text{kHz)} \\ \text{When } n=80 \text{ bits (} m=8\text{): } t_i=121.5\mu s \text{ (} f_{osc}=300\text{kHz, } f_{CK}=300\text{kHz)} \\ \text{When } n=120 \text{ bits (} m=13\text{): } t_i=189.0\mu s \text{ (} f_{osc}=300\text{kHz, } f_{CK}=300\text{kHz)} \end{cases}$$

Note that the instruction execution time of 27µs and  $t_i$  values in µs apply when  $f_{osc}=300\text{kHz}$  and  $f_{CK}=300\text{kHz}$ , and that these execution times will differ when the CR oscillator frequency  $f_{osc}$  and external clock frequency  $f_{CK}$  differ.

# LC75812PT

## Data format at (6) (24 bits)

Code																							
D96	D97	D98	D99	D100	D101	D102	D103	D104	D105	D106	D107	D108	D109	D110	D111	D112	D113	D114	D115	D116	D117	D118	D119
AD1	AD2	AD3	AD4	AD5	X	X	X	RA0	RA1	RA2	RA3	X	X	X	X	0	0	X	X	0	1	1	0

X: don't care

## Data format at (7) (24 bits)

Code																							
D96	D97	D98	D99	D100	D101	D102	D103	D104	D105	D106	D107	D108	D109	D110	D111	D112	D113	D114	D115	D116	D117	D118	D119
AD1	AD2	AD3	AD4	AD5	X	X	X	RA0	RA1	RA2	RA3	X	X	X	X	1	0	X	X	0	1	1	0

X: don't care

## Data format at (8) (8 bits)

Code							
D112	D113	D114	D115	D116	D117	D118	D119
AD1	AD2	AD3	AD4	AD5	X	X	X

## Data format at (9) (16 bits)

Code															
D104	D105	D106	D107	D108	D109	D110	D111	D112	D113	D114	D115	D116	D117	D118	D119
AD1	AD2	AD3	AD4	AD5	X	X	X	0	0	X	X	0	1	1	0

X: don't care

## Data format at (10) (n bit)

Code																							
Dz	Dz+1	Dz+2	Dz+3	Dz+4	Dz+5	Dz+6	Dz+7	.....								D88	D89	D90	D91	D92	D93	D94	D95
AD <sub>1</sub>	AD <sub>2</sub>	AD <sub>3</sub>	AD <sub>4</sub>	AD <sub>5</sub>	X	X	X	.....								AD <sub>1<sub>m-1</sub></sub>	AD <sub>2<sub>m-1</sub></sub>	AD <sub>3<sub>m-1</sub></sub>	AD <sub>4<sub>m-1</sub></sub>	AD <sub>5<sub>m-1</sub></sub>	X	X	X

Code																							
D96	D97	D98	D99	D100	D101	D102	D103	D104	D105	D106	D107	D108	D109	D110	D111	D112	D113	D114	D115	D116	D117	D118	D119
AD <sub>1<sub>m</sub></sub>	AD <sub>2<sub>m</sub></sub>	AD <sub>3<sub>m</sub></sub>	AD <sub>4<sub>m</sub></sub>	AD <sub>5<sub>m</sub></sub>	X	X	X	RA <sub>0<sub>1</sub></sub>	RA <sub>1<sub>1</sub></sub>	RA <sub>2<sub>1</sub></sub>	RA <sub>3<sub>1</sub></sub>	X	X	X	X	0	1	X	X	0	1	1	0

X: don't care

Here,  $n=8m+16$ ,  $z=104-8m$

(m is an integer between 2 and 13 that is the number of characters written as ADRAM data.)

## Correspondence between the ADRAM address and the ADRAM data

ADRAM address	ADRAM data
RA <sub>0<sub>1</sub></sub> to RA <sub>3<sub>1</sub></sub>	AD <sub>1<sub>1</sub></sub> to AD <sub>5<sub>1</sub></sub>
(RA <sub>0<sub>1</sub></sub> to RA <sub>3<sub>1</sub></sub> )+1	AD <sub>1<sub>2</sub></sub> to AD <sub>5<sub>2</sub></sub>
(RA <sub>0<sub>1</sub></sub> to RA <sub>3<sub>1</sub></sub> )+2	AD <sub>1<sub>3</sub></sub> to AD <sub>5<sub>3</sub></sub>
⋮	⋮
(RA <sub>0<sub>1</sub></sub> to RA <sub>3<sub>1</sub></sub> )+(m-3)	AD <sub>1<sub>m-2</sub></sub> to AD <sub>5<sub>m-2</sub></sub>
(RA <sub>0<sub>1</sub></sub> to RA <sub>3<sub>1</sub></sub> )+(m-2)	AD <sub>1<sub>m-1</sub></sub> to AD <sub>5<sub>m-1</sub></sub>
(RA <sub>0<sub>1</sub></sub> to RA <sub>3<sub>1</sub></sub> )+(m-1)	AD <sub>1<sub>m</sub></sub> to AD <sub>5<sub>m</sub></sub>

## LC75812PT

Example 1: When n=32 bits (m=2: 2 characters ADRAM data write operation)

Code															
D88	D89	D90	D91	D92	D93	D94	D95	D96	D97	D98	D99	D100	D101	D102	D103
AD <sub>1_1</sub>	AD <sub>2_1</sub>	AD <sub>3_1</sub>	AD <sub>4_1</sub>	AD <sub>5_1</sub>	X	X	X	AD <sub>1_2</sub>	AD <sub>2_2</sub>	AD <sub>3_2</sub>	AD <sub>4_2</sub>	AD <sub>5_2</sub>	X	X	X

Code															
D104	D105	D106	D107	D108	D109	D110	D111	D112	D113	D114	D115	D116	D117	D118	D119
RA <sub>0_1</sub>	RA <sub>1_1</sub>	RA <sub>2_1</sub>	RA <sub>3_1</sub>	X	X	X	X	0	1	X	X	0	1	1	0

X: don't care

Correspondence between the ADRAM address and the ADRAM data

ADRAM address	ADRAM data
RA <sub>0_1</sub> to RA <sub>3_1</sub>	AD <sub>1_1</sub> to AD <sub>5_1</sub>
(RA <sub>0_1</sub> to RA <sub>3_1</sub> )+1	AD <sub>1_2</sub> to AD <sub>5_2</sub>

Example 2: When n=80 bits (m=8: 8 characters ADRAM data write operation)

Code															
D40	D41	D42	D43	D44	D45	D46	D47	D48	D49	D50	D51	D52	D53	D54	D55
AD <sub>1_1</sub>	AD <sub>2_1</sub>	AD <sub>3_1</sub>	AD <sub>4_1</sub>	AD <sub>5_1</sub>	X	X	X	AD <sub>1_2</sub>	AD <sub>2_2</sub>	AD <sub>3_2</sub>	AD <sub>4_2</sub>	AD <sub>5_2</sub>	X	X	X

Code															
D56	D57	D58	D59	D60	D61	D62	D63	D64	D65	D66	D67	D68	D69	D70	D71
AD <sub>1_3</sub>	AD <sub>2_3</sub>	AD <sub>3_3</sub>	AD <sub>4_3</sub>	AD <sub>5_3</sub>	X	X	X	AD <sub>1_4</sub>	AD <sub>2_4</sub>	AD <sub>3_4</sub>	AD <sub>4_4</sub>	AD <sub>5_4</sub>	X	X	X

Code															
D72	D73	D74	D75	D76	D77	D78	D79	D80	D81	D82	D83	D84	D85	D86	D87
AD <sub>1_5</sub>	AD <sub>2_5</sub>	AD <sub>3_5</sub>	AD <sub>4_5</sub>	AD <sub>5_5</sub>	X	X	X	AD <sub>1_6</sub>	AD <sub>2_6</sub>	AD <sub>3_6</sub>	AD <sub>4_6</sub>	AD <sub>5_6</sub>	X	X	X

Code															
D88	D89	D90	D91	D92	D93	D94	D95	D96	D97	D98	D99	D100	D101	D102	D103
AD <sub>1_7</sub>	AD <sub>2_7</sub>	AD <sub>3_7</sub>	AD <sub>4_7</sub>	AD <sub>5_7</sub>	X	X	X	AD <sub>1_8</sub>	AD <sub>2_8</sub>	AD <sub>3_8</sub>	AD <sub>4_8</sub>	AD <sub>5_8</sub>	X	X	X

Code															
D104	D105	D106	D107	D108	D109	D110	D111	D112	D113	D114	D115	D116	D117	D118	D119
RA <sub>0_1</sub>	RA <sub>1_1</sub>	RA <sub>2_1</sub>	RA <sub>3_1</sub>	X	X	X	X	0	1	X	X	0	1	1	0

X: don't care

Correspondence between the ADRAM address and the ADRAM data

ADRAM address	ADRAM data
RA <sub>0_1</sub> to RA <sub>3_1</sub>	AD <sub>1_1</sub> to AD <sub>5_1</sub>
(RA <sub>0_1</sub> to RA <sub>3_1</sub> )+1	AD <sub>1_2</sub> to AD <sub>5_2</sub>
(RA <sub>0_1</sub> to RA <sub>3_1</sub> )+2	AD <sub>1_3</sub> to AD <sub>5_3</sub>
(RA <sub>0_1</sub> to RA <sub>3_1</sub> )+3	AD <sub>1_4</sub> to AD <sub>5_4</sub>
(RA <sub>0_1</sub> to RA <sub>3_1</sub> )+4	AD <sub>1_5</sub> to AD <sub>5_5</sub>
(RA <sub>0_1</sub> to RA <sub>3_1</sub> )+5	AD <sub>1_6</sub> to AD <sub>5_6</sub>
(RA <sub>0_1</sub> to RA <sub>3_1</sub> )+6	AD <sub>1_7</sub> to AD <sub>5_7</sub>
(RA <sub>0_1</sub> to RA <sub>3_1</sub> )+7	AD <sub>1_8</sub> to AD <sub>5_8</sub>

# LC75812PT

Example 3: When n=120 bits (m=13: 13 characters ADRAM data write operation)

Code															
D0	D1	D2	D3	D4	D5	D6	D7	D8	D9	D10	D11	D12	D13	D14	D15
AD1 <sub>1</sub>	AD2 <sub>1</sub>	AD3 <sub>1</sub>	AD4 <sub>1</sub>	AD5 <sub>1</sub>	X	X	X	AD1 <sub>2</sub>	AD2 <sub>2</sub>	AD3 <sub>2</sub>	AD4 <sub>2</sub>	AD5 <sub>2</sub>	X	X	X

Code															
D16	D17	D18	D19	D20	D21	D22	D23	D24	D25	D26	D27	D28	D29	D30	D31
AD1 <sub>3</sub>	AD2 <sub>3</sub>	AD3 <sub>3</sub>	AD4 <sub>3</sub>	AD5 <sub>3</sub>	X	X	X	AD1 <sub>4</sub>	AD2 <sub>4</sub>	AD3 <sub>4</sub>	AD4 <sub>4</sub>	AD5 <sub>4</sub>	X	X	X

Code															
D32	D33	D34	D35	D36	D37	D38	D39	D40	D41	D42	D43	D44	D45	D46	D47
AD1 <sub>5</sub>	AD2 <sub>5</sub>	AD3 <sub>5</sub>	AD4 <sub>5</sub>	AD5 <sub>5</sub>	X	X	X	AD1 <sub>6</sub>	AD2 <sub>6</sub>	AD3 <sub>6</sub>	AD4 <sub>6</sub>	AD5 <sub>6</sub>	X	X	X

Code															
D48	D49	D50	D51	D52	D53	D54	D55	D56	D57	D58	D59	D60	D61	D62	D63
AD1 <sub>7</sub>	AD2 <sub>7</sub>	AD3 <sub>7</sub>	AD4 <sub>7</sub>	AD5 <sub>7</sub>	X	X	X	AD1 <sub>8</sub>	AD2 <sub>8</sub>	AD3 <sub>8</sub>	AD4 <sub>8</sub>	AD5 <sub>8</sub>	X	X	X

Code															
D64	D65	D66	D67	D68	D69	D70	D71	D72	D73	D74	D75	D76	D77	D78	D79
AD1 <sub>9</sub>	AD2 <sub>9</sub>	AD3 <sub>9</sub>	AD4 <sub>9</sub>	AD5 <sub>9</sub>	X	X	X	AD1 <sub>10</sub>	AD2 <sub>10</sub>	AD3 <sub>10</sub>	AD4 <sub>10</sub>	AD5 <sub>10</sub>	X	X	X

Code															
D80	D81	D82	D83	D84	D85	D86	D87	D88	D89	D90	D91	D92	D93	D94	D95
AD1 <sub>11</sub>	AD2 <sub>11</sub>	AD3 <sub>11</sub>	AD4 <sub>11</sub>	AD5 <sub>11</sub>	X	X	X	AD1 <sub>12</sub>	AD2 <sub>12</sub>	AD3 <sub>12</sub>	AD4 <sub>12</sub>	AD5 <sub>12</sub>	X	X	X

Code															
D96	D97	D98	D99	D100	D101	D102	D103	D104	D105	D106	D107	D108	D109	D110	D111
AD1 <sub>13</sub>	AD2 <sub>13</sub>	AD3 <sub>13</sub>	AD4 <sub>13</sub>	AD5 <sub>13</sub>	X	X	X	RA0 <sub>1</sub>	RA1 <sub>1</sub>	RA2 <sub>1</sub>	RA3 <sub>1</sub>	X	X	X	X

Code							
D112	D113	D114	D115	D116	D117	D118	D119
0	1	X	X	0	1	1	0

X: don't care

Correspondence between the ADRAM address and the ADRAM data

ADRAM address	ADRAM data
RA0 <sub>1</sub> to RA3 <sub>1</sub>	AD1 <sub>1</sub> to AD5 <sub>1</sub>
(RA0 <sub>1</sub> to RA3 <sub>1</sub> )+1	AD1 <sub>2</sub> to AD5 <sub>2</sub>
(RA0 <sub>1</sub> to RA3 <sub>1</sub> )+2	AD1 <sub>3</sub> to AD5 <sub>3</sub>
(RA0 <sub>1</sub> to RA3 <sub>1</sub> )+3	AD1 <sub>4</sub> to AD5 <sub>4</sub>
(RA0 <sub>1</sub> to RA3 <sub>1</sub> )+4	AD1 <sub>5</sub> to AD5 <sub>5</sub>
(RA0 <sub>1</sub> to RA3 <sub>1</sub> )+5	AD1 <sub>6</sub> to AD5 <sub>6</sub>
(RA0 <sub>1</sub> to RA3 <sub>1</sub> )+6	AD1 <sub>7</sub> to AD5 <sub>7</sub>

ADRAM address	ADRAM data
(RA0 <sub>1</sub> to RA3 <sub>1</sub> )+7	AD1 <sub>8</sub> to AD5 <sub>8</sub>
(RA0 <sub>1</sub> to RA3 <sub>1</sub> )+8	AD1 <sub>9</sub> to AD5 <sub>9</sub>
(RA0 <sub>1</sub> to RA3 <sub>1</sub> )+9	AD1 <sub>10</sub> to AD5 <sub>10</sub>
(RA0 <sub>1</sub> to RA3 <sub>1</sub> )+10	AD1 <sub>11</sub> to AD5 <sub>11</sub>
(RA0 <sub>1</sub> to RA3 <sub>1</sub> )+11	AD1 <sub>12</sub> to AD5 <sub>12</sub>
(RA0 <sub>1</sub> to RA3 <sub>1</sub> )+12	AD1 <sub>13</sub> to AD5 <sub>13</sub>



# LC75812PT

- CGRAM data write ... <Specifies the CGRAM address and stores data at that address>  
(Write data to CGRAM)

Code															
D56	D57	D58	D59	D60	D61	D62	D63	D64	D65	D66	D67	D68	D69	D70	D71
CD1	CD2	CD3	CD4	CD5	CD6	CD7	CD8	CD9	CD10	CD11	CD12	CD13	CD14	CD15	CD16

Code															
D72	D73	D74	D75	D76	D77	D78	D79	D80	D81	D82	D83	D84	D85	D86	D87
CD17	CD18	CD19	CD20	CD21	CD22	CD23	CD24	CD25	CD26	CD27	CD28	CD29	CD30	CD31	CD32

Code															
D88	D89	D90	D91	D92	D93	D94	D95	D96	D97	D98	D99	D100	D101	D102	D103
CD33	CD34	CD35	CD36	CD37	CD38	CD39	CD40	X	X	X	X	X	X	X	X

Code															
D104	D105	D106	D107	D108	D109	D110	D111	D112	D113	D114	D115	D116	D117	D118	D119
CA0	CA1	CA2	CA3	CA4	CA5	CA6	CA7	X	X	X	X	0	1	1	1

X: don't care

### CA0 to CA7: CGRAM address

CA0	CA1	CA2	CA3	CA4	CA5	CA6	CA7
-----	-----	-----	-----	-----	-----	-----	-----

LSB



Least significant bit

MSB



Most significant bit

### CD1 to CD40: CGRAM data (5×7 or 5×8 dot matrix display data)

The bit CD<sub>n</sub> (where n is an integer between 1 and 40) corresponds to the 5×7 or 5×8 dot matrix display data.

The figure below shows that correspondence. When CD<sub>n</sub> is 1 the dots which correspond to that data will be turned on.

CD1	CD2	CD3	CD4	CD5
CD6	CD7	CD8	CD9	CD10
CD11	CD12	CD13	CD14	CD15
CD16	CD17	CD18	CD19	CD20
CD21	CD22	CD23	CD24	CD25
CD26	CD27	CD28	CD29	CD30
CD31	CD32	CD33	CD34	CD35
CD36	CD37	CD38	CD39	CD40

Note: \*18. CD1 to CD35: 5×7 dot matrix display data  
CD1 to CD40: 5×8 dot matrix display data

## LC75812PT

- Set display contrast... <Sets the display contrast>  
(Set display contrast)

Code															
D104	D105	D106	D107	D108	D109	D110	D111	D112	D113	D114	D115	D116	D117	D118	D119
CT0	CT1	CT2	CT3	X	X	X	X	CTC	X	X	X	1	0	0	0

X: don't care

CT0 to CT3: Sets the display contrast (11 steps)

CT0	CT1	CT2	CT3	LCD drive 4/4 bias voltage supply $V_{LCD0}$ level
0	0	0	0	$0.94V_{LCD}=V_{LCD}-(0.03V_{LCD}\times 2)$
1	0	0	0	$0.91V_{LCD}=V_{LCD}-(0.03V_{LCD}\times 3)$
0	1	0	0	$0.88V_{LCD}=V_{LCD}-(0.03V_{LCD}\times 4)$
1	1	0	0	$0.85V_{LCD}=V_{LCD}-(0.03V_{LCD}\times 5)$
0	0	1	0	$0.82V_{LCD}=V_{LCD}-(0.03V_{LCD}\times 6)$
1	0	1	0	$0.79V_{LCD}=V_{LCD}-(0.03V_{LCD}\times 7)$
0	1	1	0	$0.76V_{LCD}=V_{LCD}-(0.03V_{LCD}\times 8)$
1	1	1	0	$0.73V_{LCD}=V_{LCD}-(0.03V_{LCD}\times 9)$
0	0	0	1	$0.70V_{LCD}=V_{LCD}-(0.03V_{LCD}\times 10)$
1	0	0	1	$0.67V_{LCD}=V_{LCD}-(0.03V_{LCD}\times 11)$
0	1	0	1	$0.64V_{LCD}=V_{LCD}-(0.03V_{LCD}\times 12)$

CTC: Sets the display contrast adjustment circuit state

CTC	Display contrast adjustment circuit state
0	The display contrast adjustment circuit is disabled, and the $V_{LCD0}$ pin level is forced to the $V_{LCD}$ level.
1	The display contrast adjustment circuit operates, and the display contrast is adjusted.

Note that although the display contrast can be adjusted by operating the built-in display contrast adjustment circuit, it is also possible to apply fine adjustments to the contrast by connecting an external variable resistor to the  $V_{LCD4}$  pin and modifying the  $V_{LCD4}$  pin voltage. However, the following conditions must be met:  $V_{LCD0}-V_{LCD4}\geq 4.5V$ , and  $1.5V\geq V_{LCD4}\geq 0V$ .

## LC75812PT

- Set key scan output port/general-purpose output port state  
 ... <Sets the key scan output port and general-purpose output port states>  
 (Key scan output port and General-purpose output port control)

Code																							
D72	D73	D74	D75	D76	D77	D78	D79	D80	D81	D82	D83	D84	D85	D86	D87	D88	D89	D90	D91	D92	D93	D94	D95
W10	W11	W12	W13	W14	W15	W20	W21	W22	W23	W24	W25	W30	W31	W32	W33	W34	W35	PC10	PC11	PC20	PC21	PC30	PC31

Code																							
D96	D97	D98	D99	D100	D101	D102	D103	D104	D105	D106	D107	D108	D109	D110	D111	D112	D113	D114	D115	D116	D117	D118	D119
PC32	PF0	PF1	PF2	PF3	KC1	KC2	KC3	KC4	KC5	KC6	KC7	KP1	KP2	KP3	X	X	X	X	X	1	0	0	1

X: don't care

KP1 to KP3: Set the output pins KS1/P1, KS2/P2, and KS7/P3 as either key scan output ports or general-purpose output ports.

KP1	KP2	KP3	Output pin			Max. Key Input Number	General-purpose Output Port Number
			KS1/P1	KS2/P2	KS7/P3		
0	0	0	KS1	KS2	KS7	35	0
1	0	0	P1	KS2	KS7	30	1
0	1	0	KS1	P2	KS7	30	1
0	0	1	KS1	KS2	P3	30	1
1	1	0	P1	P2	KS7	25	2
0	1	1	KS1	P2	P3	25	2
1	0	1	P1	KS2	P3	25	2
1	1	1	P1	P2	P3	20	3

\*19) KSn(n=1,2,7): Key scan output port  
 Pn(n=1 to 3): General-purpose output port

KC1 to KC7: Sets the key scan output pin KS1 to KS7 state

Output pin	KS1	KS2	KS3	KS4	KS5	KS6	KS7
Key scan output state setting data	KC1	KC2	KC3	KC4	KC5	KC6	KC7

If, for example, the output pins KS1/P1, KS2/P2, and KS7/P3 are set as key scan output ports, the output pins KS1 to KS3 will go high ( $V_{DD}$ ) and KS4 to KS7 go low ( $V_{SS}$ ) in the key scan standby state when KC1 to KC3 are set to 1 and KC4 to KC7 are set to 0. Note that key scan output signals are not output from output pins that are set to the low level.

PC10, PC11: Sets the general-purpose output port P1 state

PC10	PC11	Output pin (P1) state
0	0	"L"( $V_{SS}$ )
1	0	"H"( $V_{DD}$ )
0	1	PWM signal output

PC20, PC21: Sets the general-purpose output port P2 state

PC20	PC21	Output pin (P2) state
0	0	"L"( $V_{SS}$ )
1	0	"H"( $V_{DD}$ )
0	1	PWM signal output

PC30 to PC32: Sets the general-purpose output port P3 state

PC30	PC31	PC32	Output pin (P3) state
0	0	0	"L"( $V_{SS}$ )
1	0	0	"H"( $V_{DD}$ )
0	1	0	PWM signal output
1	1	0	Clock signal output ( $f_{osc}/2$ , $f_{CK}/2$ )
0	0	1	Clock signal output ( $f_{osc}/8$ , $f_{CK}/8$ )

## LC75812PT

PF0 to PF3: Set the frame frequency of the PWM output waveforms.

(when general-purpose output ports P1 to P3 are set to select the PWM signal generation function.)

PF0	PF1	PF2	PF3	PWM Output Waveform Frame Frequency fp[Hz]
0	0	0	0	$f_{osc}/1536, f_{CK}/1536$
1	0	0	0	$f_{osc}/1408, f_{CK}/1408$
0	1	0	0	$f_{osc}/1280, f_{CK}/1280$
1	1	0	0	$f_{osc}/1152, f_{CK}/1152$
0	0	1	0	$f_{osc}/1024, f_{CK}/1024$
1	0	1	0	$f_{osc}/896, f_{CK}/896$
0	1	1	0	$f_{osc}/768, f_{CK}/768$
1	1	1	0	$f_{osc}/640, f_{CK}/640$
0	0	0	1	$f_{osc}/512, f_{CK}/512$
1	0	0	1	$f_{osc}/384, f_{CK}/384$
0	1	0	1	$f_{osc}/256, f_{CK}/256$

W10 to W15, W20 to W25, W30 to W35: Set the pulse width of the PWM output waveforms.

(when general-purpose output ports P1 to P3 are set to select the PWM signal generation function.)

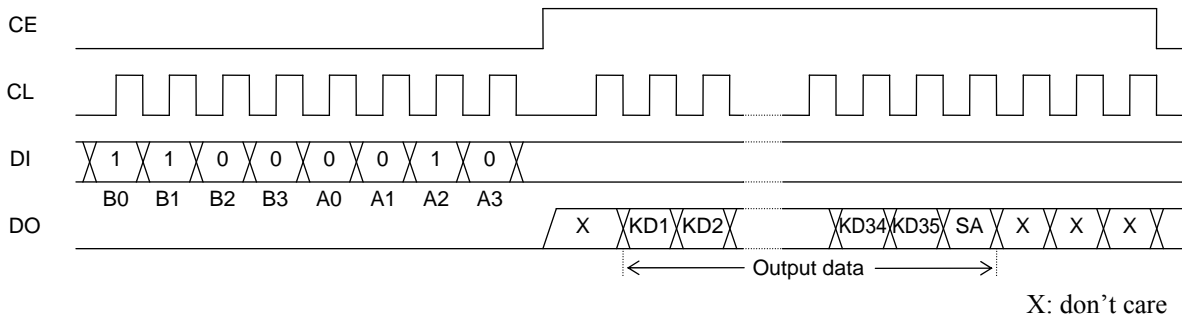
Wn0	Wn1	Wn2	Wn3	Wn4	Wn5	PWM Signal Pn Pulse Width	Wn0	Wn1	Wn2	Wn3	Wn4	Wn5	PWM Signal Pn Pulse Width
0	0	0	0	0	0	$(1/64) \times T_p$	0	0	0	0	0	1	$(33/64) \times T_p$
1	0	0	0	0	0	$(2/64) \times T_p$	1	0	0	0	0	1	$(34/64) \times T_p$
0	1	0	0	0	0	$(3/64) \times T_p$	0	1	0	0	0	1	$(35/64) \times T_p$
1	1	0	0	0	0	$(4/64) \times T_p$	1	1	0	0	0	1	$(36/64) \times T_p$
0	0	1	0	0	0	$(5/64) \times T_p$	0	0	1	0	0	1	$(37/64) \times T_p$
1	0	1	0	0	0	$(6/64) \times T_p$	1	0	1	0	0	1	$(38/64) \times T_p$
0	1	1	0	0	0	$(7/64) \times T_p$	0	1	1	0	0	1	$(39/64) \times T_p$
1	1	1	0	0	0	$(8/64) \times T_p$	1	1	1	0	0	1	$(40/64) \times T_p$
0	0	0	1	0	0	$(9/64) \times T_p$	0	0	0	1	0	1	$(41/64) \times T_p$
1	0	0	1	0	0	$(10/64) \times T_p$	1	0	0	1	0	1	$(42/64) \times T_p$
0	1	0	1	0	0	$(11/64) \times T_p$	0	1	0	1	0	1	$(43/64) \times T_p$
1	1	0	1	0	0	$(12/64) \times T_p$	1	1	0	1	0	1	$(44/64) \times T_p$
0	0	1	1	0	0	$(13/64) \times T_p$	0	0	1	1	0	1	$(45/64) \times T_p$
1	0	1	1	0	0	$(14/64) \times T_p$	1	0	1	1	0	1	$(46/64) \times T_p$
0	1	1	1	0	0	$(15/64) \times T_p$	0	1	1	1	0	1	$(47/64) \times T_p$
1	1	1	1	0	0	$(16/64) \times T_p$	1	1	1	1	0	1	$(48/64) \times T_p$
0	0	0	0	1	0	$(17/64) \times T_p$	0	0	0	0	1	1	$(49/64) \times T_p$
1	0	0	0	1	0	$(18/64) \times T_p$	1	0	0	0	1	1	$(50/64) \times T_p$
0	1	0	0	1	0	$(19/64) \times T_p$	0	1	0	0	1	1	$(51/64) \times T_p$
1	1	0	0	1	0	$(20/64) \times T_p$	1	1	0	0	1	1	$(52/64) \times T_p$
0	0	1	0	1	0	$(21/64) \times T_p$	0	0	1	0	1	1	$(53/64) \times T_p$
1	0	1	0	1	0	$(22/64) \times T_p$	1	0	1	0	1	1	$(54/64) \times T_p$
0	1	1	0	1	0	$(23/64) \times T_p$	0	1	1	0	1	1	$(55/64) \times T_p$
1	1	1	0	1	0	$(24/64) \times T_p$	1	1	1	0	1	1	$(56/64) \times T_p$
0	0	0	1	1	0	$(25/64) \times T_p$	0	0	0	1	1	1	$(57/64) \times T_p$
1	0	0	1	1	0	$(26/64) \times T_p$	1	0	0	1	1	1	$(58/64) \times T_p$
0	1	0	1	1	0	$(27/64) \times T_p$	0	1	0	1	1	1	$(59/64) \times T_p$
1	1	0	1	1	0	$(28/64) \times T_p$	1	1	0	1	1	1	$(60/64) \times T_p$
0	0	1	1	1	0	$(29/64) \times T_p$	0	0	1	1	1	1	$(61/64) \times T_p$
1	0	1	1	1	0	$(30/64) \times T_p$	1	0	1	1	1	1	$(62/64) \times T_p$
0	1	1	1	1	0	$(31/64) \times T_p$	0	1	1	1	1	1	$(63/64) \times T_p$
1	1	1	1	1	0	$(32/64) \times T_p$	1	1	1	1	1	1	$(64/64) \times T_p$

Note: \*20. Wn0 to Wn5 (n=1 to 3): PWM data for the PWM output waveforms at general-purpose output ports Pn (n=1 to 3).

$$T_p = \frac{1}{f_p}$$

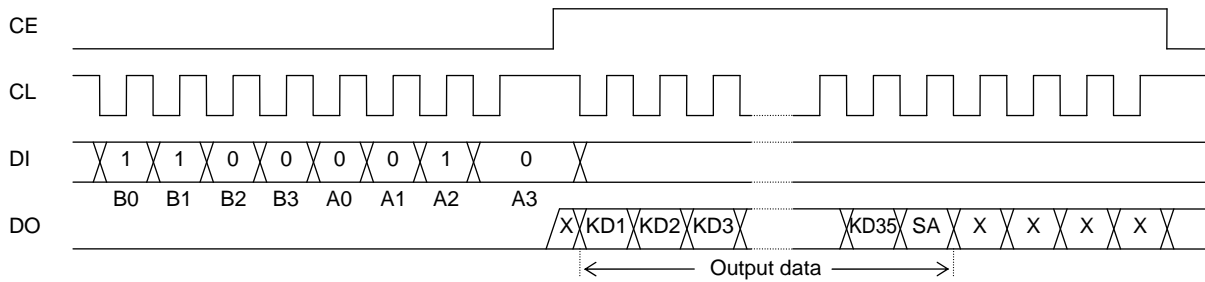
**Serial Data Output**

(1) When CL is stopped at the low level



X: don't care

(2) When CL is stopped at the high level



X: don't care

- B0 to B3, A0 to A3: CCB address 43H
- KD1 to KD35: Key data
- SA: Sleep acknowledge data

Note: \*21. When key data read operation is executed with DO set high (no key data read request present), the key data (KD1 to KD35) and sleep acknowledge data (SA) are invalid.

**Output Data**

(1) KD1 to KD35: Key data

When a key matrix of up to 35 keys is formed from the KS1 to KS7 output pins and the KI1 to KI5 input pins and one of those keys is pressed, the key output data corresponding to that key will be set to 1. The table shows the relationship between those pins and the key data bits.

	KI1	KI2	KI3	KI4	KI5
KS1/P1	KD1	KD2	KD3	KD4	KD5
KS2/P1	KD6	KD7	KD8	KD9	KD10
KS3	KD11	KD12	KD13	KD14	KD15
KS4	KD16	KD17	KD18	KD19	KD20
KS5	KD21	KD22	KD23	KD24	KD25
KS6	KD26	KD27	KD28	KD29	KD30
KS7/P3	KD31	KD32	KD33	KD34	KD35

KD1 to KD10 are all set to 0 when the output pins KS1/P1 and KS2/P2 are set as general-purpose output ports with the "set key scan output port/general-purpose output port state" instruction and a key matrix of maximum 25 keys is formed from the output pins KS3 to KS6 and KS7/P3 and the input pins KI1 to KI5.

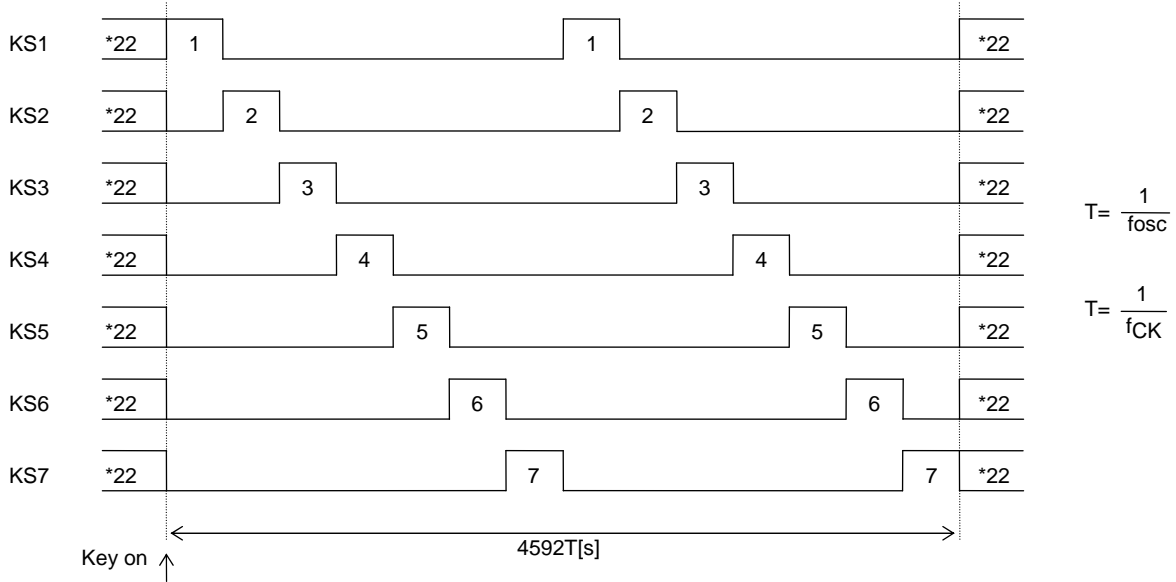
(2) SA: Sleep acknowledge data

This output data bit is set to the state when the key was pressed. Also, while DO will be low in this case, if serial data is input and the mode is set (to normal or sleep mode) during this period, that mode will be set. SA will be 1 in Sleep mode and 0 in normal mode.

**Key Scan Operation Functions**

(1) Key scan timing

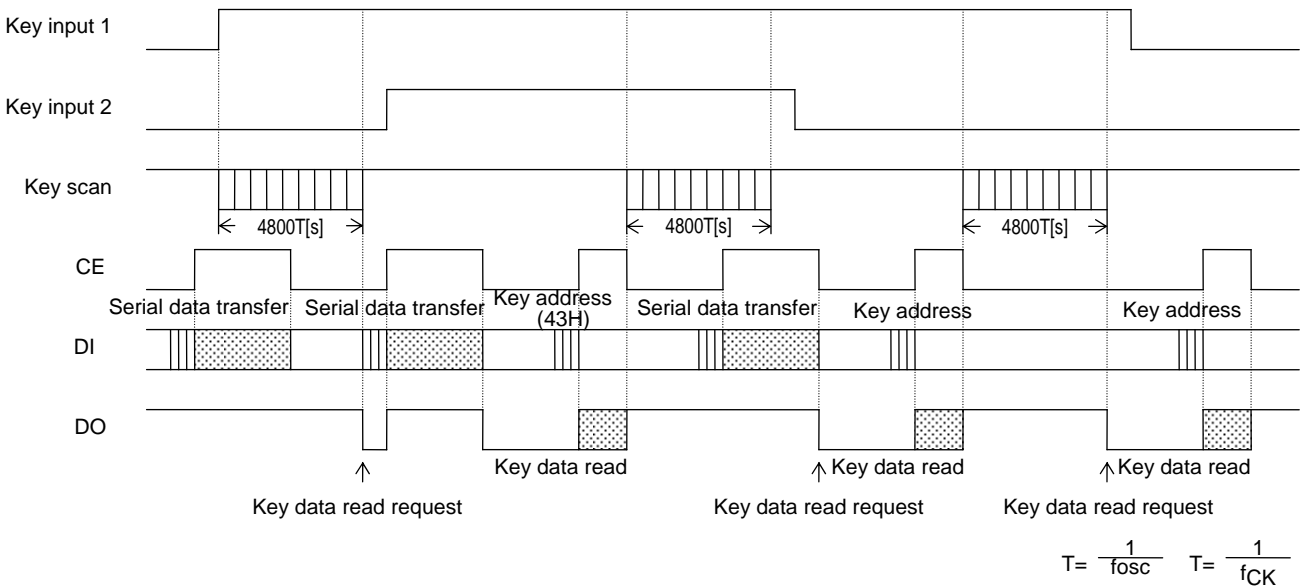
The key scan period is 2296T(s). To reliably determine the on/off state of the keys, the LC75812PT scans the keys twice and determines that a key has been pressed when the key data agrees. It outputs a key data read request (a low level on DO) 4800T(s) after starting a key scan. If the key data dose not agree and a key was pressed at that point, it scans the keys again. Thus the LC75812PT cannot detect a key press shorter than 4800T(s).



Note: \*22. Not that the high/low states of these pins are determined by the "set key scan output port/general-purpose output port state" instruction, and that key scan output signals are not output from pins that are set to low.

(2) In normal mode

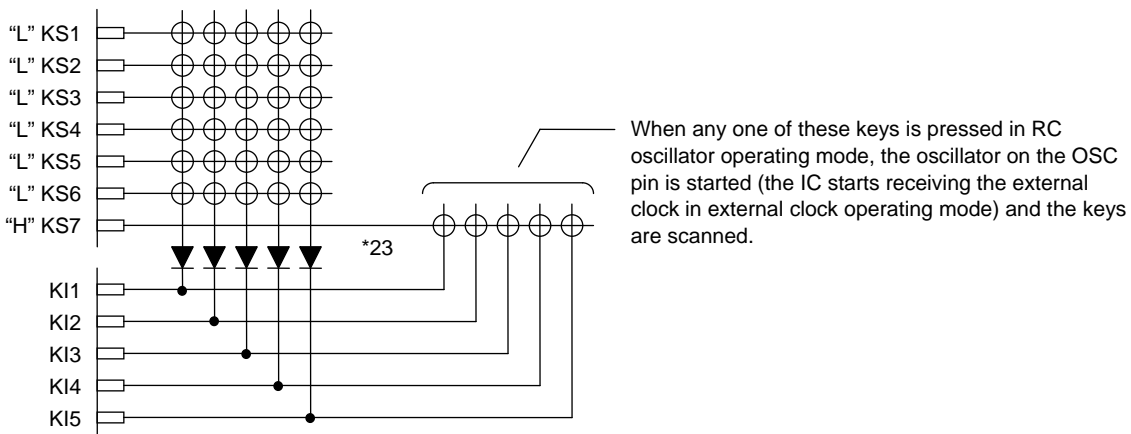
- The pins KS1 to KS7 are set to high or low with the "set key scan output port/general-purpose output port state" instruction.
- If a key on one of the lines corresponding to a KS1 to KS7 pin which is set high is pressed, a key scan is started and the keys are scanned until all keys are released. Multiple key presses are recognized by determining whether multiple key data bits are set.
- If a key is pressed for longer than 4800T(s) (Where  $T=1/f_{osc}$ ,  $T=1/f_{CK}$ ) the LC75812PT outputs a key data read request (a low level on DO) to the controller. The controller acknowledges this request and reads the key data. However, if CE is high during a serial data transfer, DO will be set high.
- After the controller reads the key data, the key data read request is cleared (DO is set high) and the LC75812PT performs another key scan. Also note that DO, being an open-drain output, requires a pull-up resistor (between 1kΩ and 10kΩ).



### (3) In sleep mode

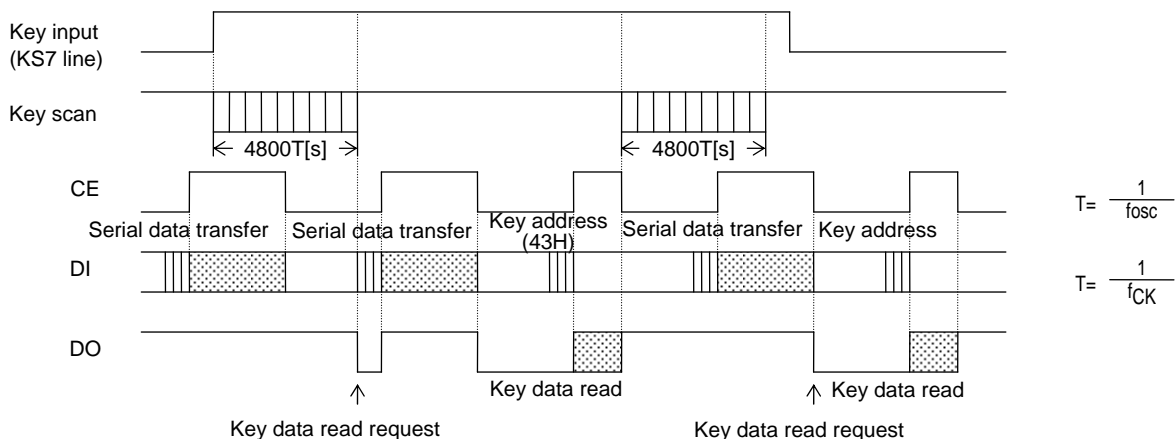
- The pins KS1 to KS7 are set to high or low with the "set key scan output port/general-purpose output port state" instruction.
- If a key on one of the lines corresponding to a KS1 to KS7 pin which is set high is pressed in the RC oscillator operating mode, the oscillator on the OSC pin is started (the IC starts receiving the external clock in external clock operating mode) and a key scan is performed. Keys are scanned until all keys released. Multiple key presses are recognized by determining whether multiple key data bits are set.
- If a key is pressed for longer than 4800T(s) (Where  $T=1/f_{osc}$ ,  $T=1/f_{CK}$ ) the LC75812PT outputs a key data read request (a low level on DO) to the controller. The controller acknowledges this request and reads the key data. However, if CE is high during a serial data transfer, DO will be set high.
- After the controller reads the key data, the key data read request is cleared (DO is set high) and the LC75812PT performs another key scan. However, this does not clear sleep mode. Also note that DO, being an open-drain output, requires a pull-up resistor (between 1kΩ and 10kΩ).
- Sleep mode key scan example

Example: When a "display on/off control (SP=1)" instruction and a "set key scan output port/general-purpose output port state (KP1 to KP3=0, KC1 to KC6=0, KC7=1)" instruction are executed. (i.e. sleep mode with only KS7 high.)



Note: \*23. These diodes are required to reliably recognize multiple key presses on the KS7 line when sleep mode state with only KS7 high, as in the above example.

That is, these diodes prevent incorrect operations due to sneak currents in the KS7 key scan output signal when keys on the KS1 to KS6 lines are pressed at the same time.

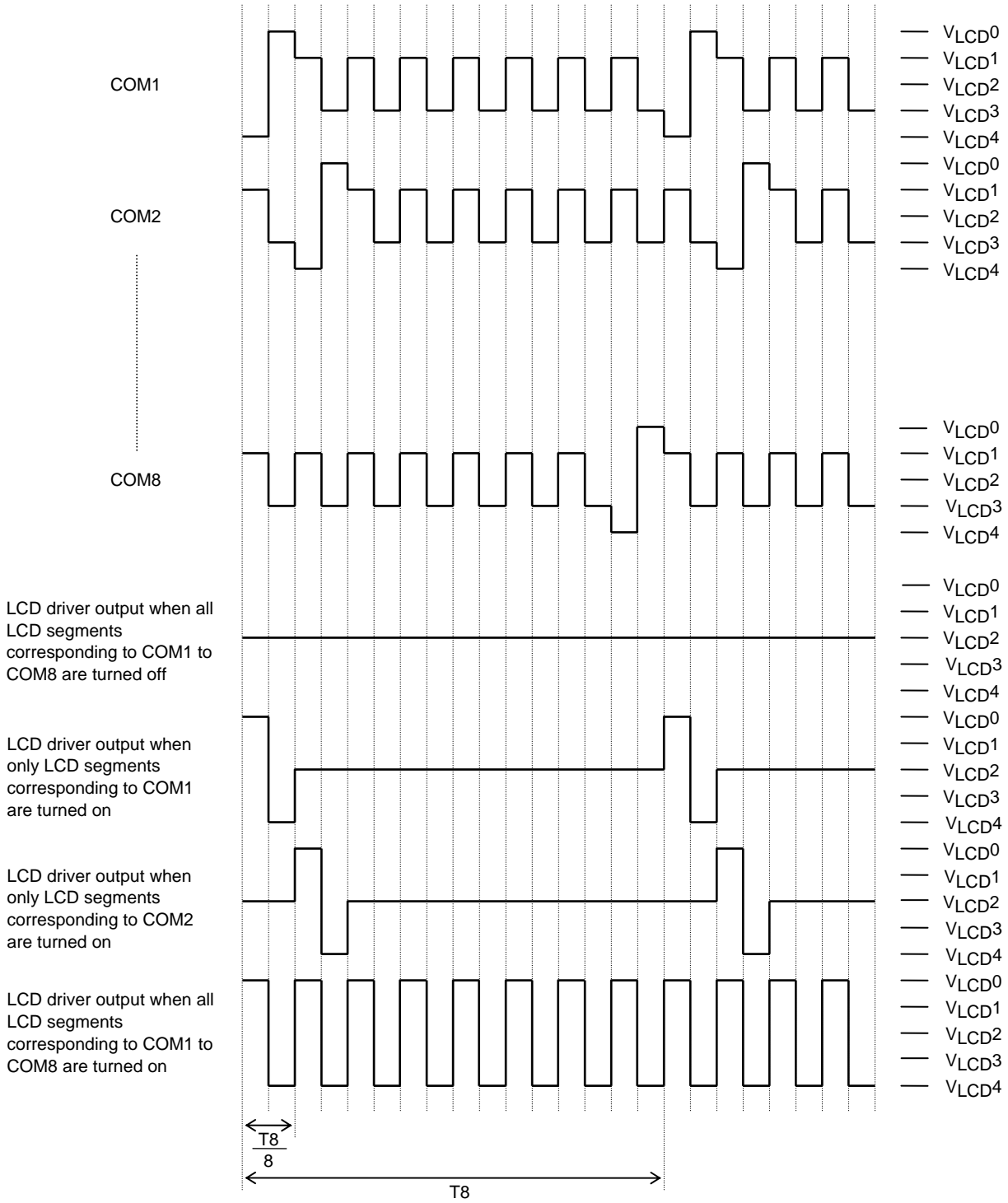


### Multiple Key Presses

Although the LC75812PT is capable of key scanning without inserting diodes for dual key presses, triple key presses on the KI1 to KI5 input pin lines, or multiple key presses on the KS1 to KS7 output pin lines, multiple presses other than these cases may result in keys that were not pressed recognized as having been pressed.

Therefore, a diode must be inserted in series with each key. Applications that do not recognize multiple key presses of three or more keys should check the key data for three or more 1 bits and ignore such data.

1/8 Duty, 1/4 Bias Drive Technique

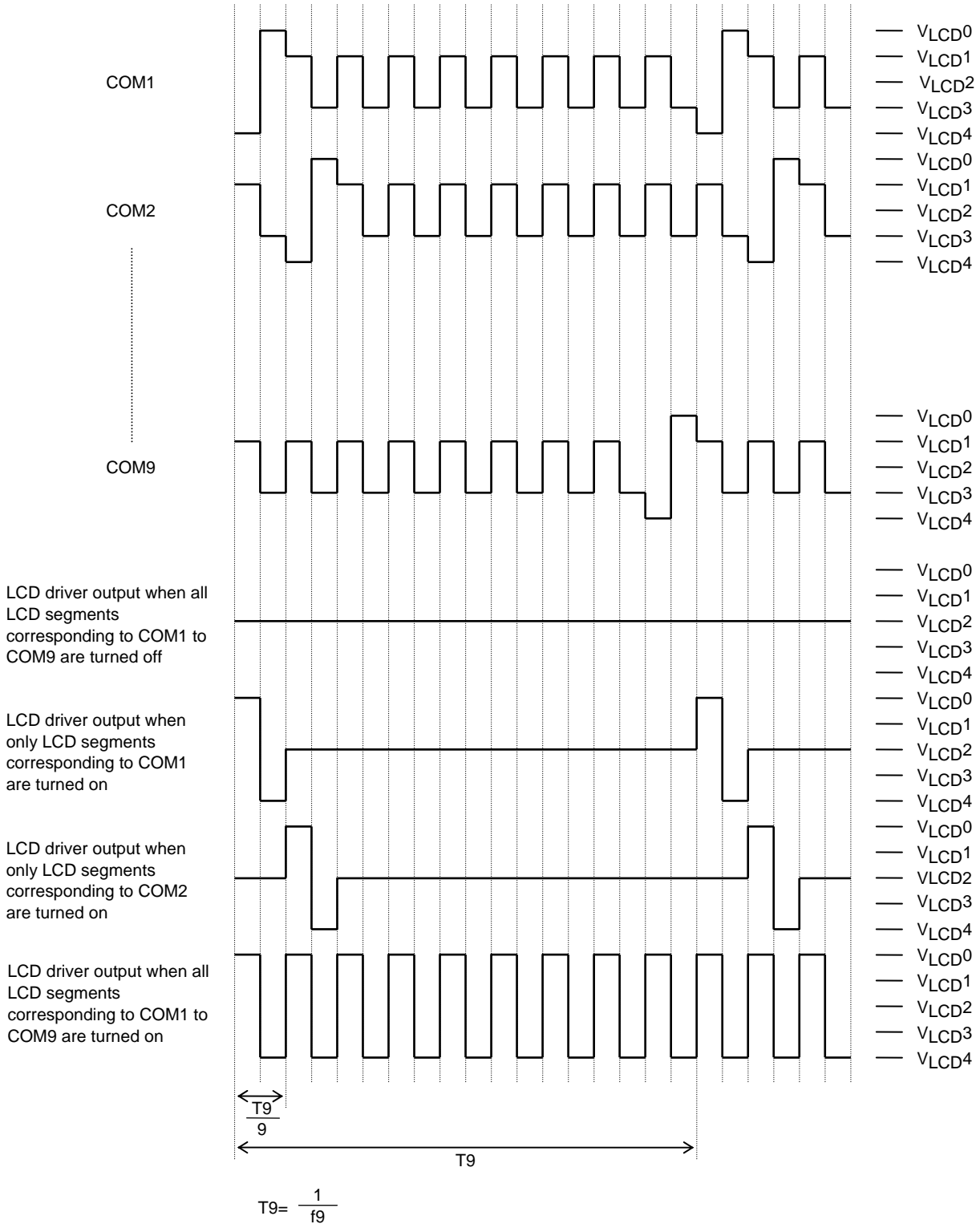


$$T8 = \frac{1}{f8}$$

- When a "set display technique" instruction with FC0 = 0, FC1 = 0 are executed:  $f8 = \frac{fosc}{3072}$  ,  $f8 = \frac{fCK}{3072}$
- When a "set display technique" instruction with FC0 = 1, FC1 = 0 are executed:  $f8 = \frac{fosc}{1536}$  ,  $f8 = \frac{fCK}{1536}$
- When a "set display technique" instruction with FC0 = 0, FC1 = 1 are executed:  $f8 = \frac{fosc}{768}$  ,  $f8 = \frac{fCK}{768}$



1/9 Duty, 1/4 Bias Drive Technique



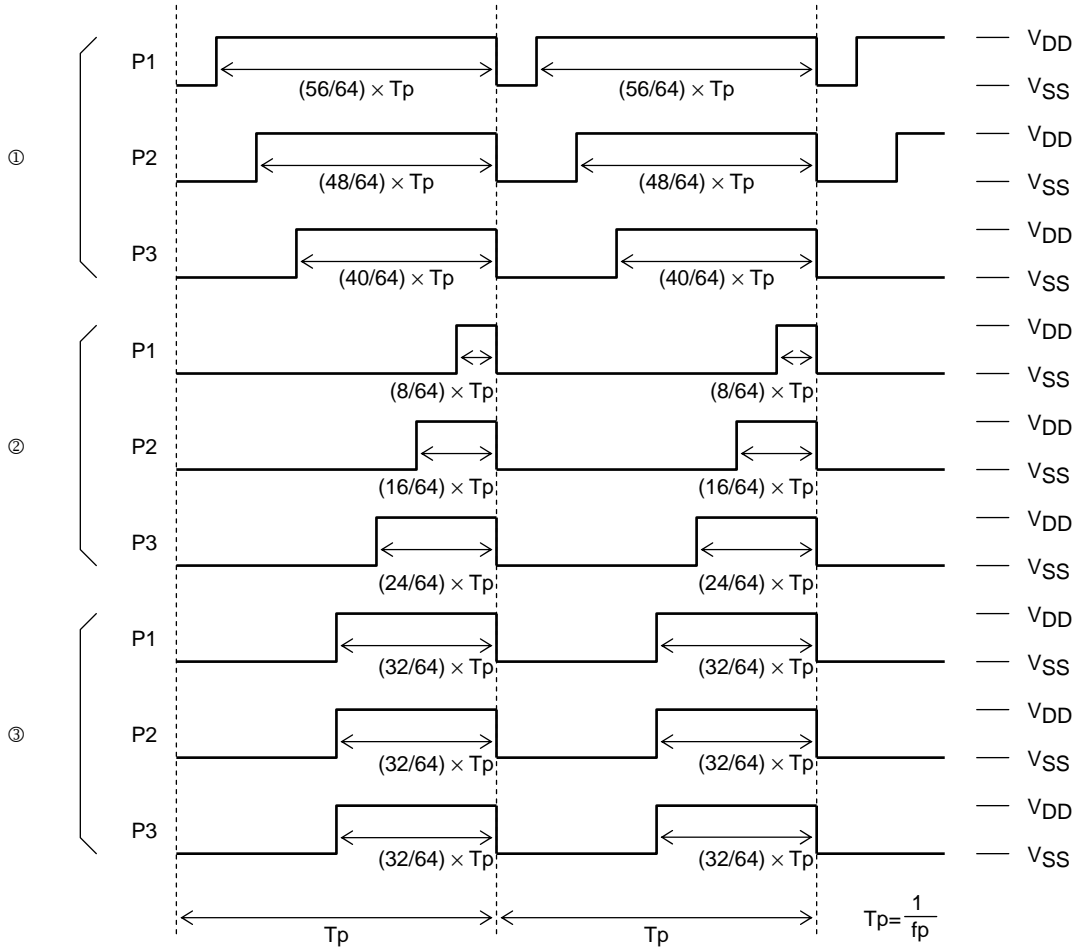
When a "set display technique" instruction with FC0 = 0, FC1 = 0 are executed:  $f_9 = \frac{f_{osc}}{3456}$ ,  $f_9 = \frac{f_{CK}}{3456}$

When a "set display technique" instruction with FC0 = 1, FC1 = 0 are executed:  $f_9 = \frac{f_{osc}}{1728}$ ,  $f_9 = \frac{f_{CK}}{1728}$

When a "set display technique" instruction with FC0 = 0, FC1 = 1 are executed:  $f_9 = \frac{f_{osc}}{864}$ ,  $f_9 = \frac{f_{CK}}{864}$

# LC75812PT

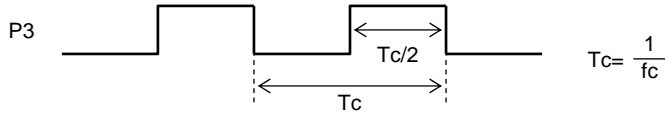
## PWM Output Waveform



"Set key scan output port/general-purpose output port state" Instruction Data																	PWM Output Waveform of General-purpose Output Ports P1 to P3	
W10	W11	W12	W13	W14	W15	W20	W21	W22	W23	W24	W25	W30	W31	W32	W33	W34		W35
1	1	1	0	1	1	1	1	1	1	0	1	1	1	1	0	0	1	①
1	1	1	0	0	0	1	1	1	1	0	0	1	1	1	0	1	0	②
1	1	1	1	1	0	1	1	1	1	1	0	1	1	1	1	1	0	③

"Set key scan output port/general-purpose output port state" Instruction Data				PWM Output Waveform Frame Frequency $f_p$ [Hz]
PF0	PF1	PF2	PF3	
0	0	0	0	$f_{osc}/1536, f_{CK}/1536$
1	0	0	0	$f_{osc}/1408, f_{CK}/1408$
0	1	0	0	$f_{osc}/1280, f_{CK}/1280$
1	1	0	0	$f_{osc}/1152, f_{CK}/1152$
0	0	1	0	$f_{osc}/1024, f_{CK}/1024$
1	0	1	0	$f_{osc}/896, f_{CK}/896$
0	1	1	0	$f_{osc}/768, f_{CK}/768$
1	1	1	0	$f_{osc}/640, f_{CK}/640$
0	0	0	1	$f_{osc}/512, f_{CK}/512$
1	0	0	1	$f_{osc}/384, f_{CK}/384$
0	1	0	1	$f_{osc}/256, f_{CK}/256$

## Clock Signal Output Waveform



"Set Key Scan Output Port/ General-purpose Port State" Instruction Data			General-purpose port P3 clock signal frequency $f_c (=1/T_c)$ [Hz]
PC30	PC31	PC32	
1	1	0	Clock signal output ( $f_{osc}/2, f_{CK}/2$ )
0	0	1	Clock signal output ( $f_{osc}/8, f_{CK}/8$ )

## Voltage Detection Type Reset Circuit (VDET)

This circuit generates an output signal and resets the system when logic block power is first applied and when the voltage drops, i.e., when the logic block power supply voltage is less than or equal to the power down detection voltage  $V_{DET}$ , which is 2.2V, typical. To assure that this function operates reliably, a capacitor must be added to the logic block power supply line so that the logic block power supply voltage  $V_{DD}$  rise time when the logic block power is first applied and the logic block power supply voltage  $V_{DD}$  fall time when the voltage drops are both at least 1ms. (See Figure 5.)

## Power Supply Sequence

The following sequences must be observed when power is turned on and off. (See Figure 5.)

- Power on: Logic block power supply ( $V_{DD}$ ) on → LCD driver block power supply ( $V_{LCD}$ ) on
- Power off: LCD driver block power supply ( $V_{LCD}$ ) off → Logic block power supply ( $V_{DD}$ ) off

When 5V signal is applied to the CE, CL, DI, and  $\overline{INH}$  pins which are to be connected to the controller and if the logic block power supply ( $V_{DD}$ ) is off, set the input voltage at the CE, CL, DI, and  $\overline{INH}$  pins to 0V and apply the 5V signal to these pins after turning on the logic block power supply ( $V_{DD}$ ).

## System Reset

### 1. Reset function

The LC75812PT performs a system reset with the  $V_{DET}$ . When a system reset is applied, the display is turned off, key scanning is disabled, the key data is reset, and the general-purpose output ports are set to and held at the low level ( $V_{SS}$ ).

These states that are created as a result of the system reset can be cleared by executing the instruction described below. (See Figure 5.)

- Clearing the display off state

Display operation can be enabled by executing a "display on/off control" instruction. However, since the contents of the DGRAM, ADRAM, and CGRAM are undefined, applications must set the contents of these memories before turning on display with the "display on/off control" instruction. That is, applications must execute the following instructions.

- Set display technique (The "set display technique" instruction must be executed first.)
- DGRAM data write
- ADRAM data write (If the ADRAM is used.)
- CGRAM data write (If the CGRAM is used.)
- Set AC address
- Set display contrast (If the display contrast adjustment circuit is used.)

After executing the above instructions, applications must turn on the display with a "display on/off control" instruction.

Note that when applications turn off in the normal mode, applications must turn off the display with a "display on/off control" instruction or the  $\overline{INH}$  pin.

## LC75812PT

- Clearing the key scan disable and key data reset states

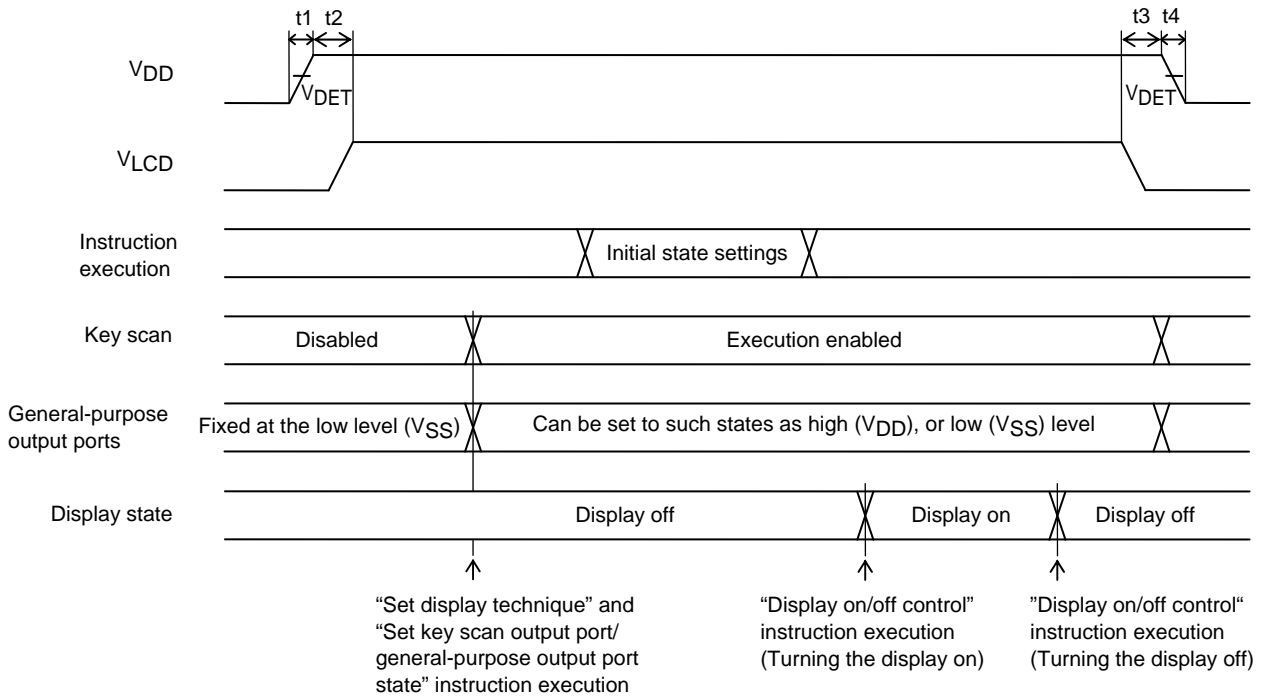
By executing the following instructions not only create a state in which key scanning can be performed, but also clear the key data reset.

- Set display technique (The "set display technique" instruction must be executed first.)
- Set key scan output port/general-purpose output port state

- Clearing the general-purpose output ports locked at the low level ( $V_{SS}$ ) state

By executing the following instructions clear the general-purpose output ports locked at the low level ( $V_{SS}$ ) state and set the states of the general-purpose output ports.

- Set display technique (The "set display technique" instruction must be executed first.)
- Set key scan output port/general-purpose output port state



- $t_1 \geq 1$  [ms] (Logic block power supply voltage  $V_{DD}$  rise time)
- $t_2 \geq 0$
- $t_3 \geq 0$
- $t_4 \geq 1$  [ms] (Logic block power supply voltage  $V_{DD}$  fall time)
- Initial state settings
  - Set display technique (The "set display technique" instruction must be executed first.)
  - DCRAM data write
  - ADRAM data write (If the ADRAM is used.)
  - CGRAM data write (If the CGRAM is used.)
  - Set AC address
  - Set display contrast (If the display contrast adjustment circuit is used.)

[Figure 5]

## 2. Block states during a system reset

### (1) CLOCK GENERATOR, TIMING GENERATOR

When a reset is applied, these circuits are forcibly initialized internally. Then, when the "set display technique" instruction is executed, oscillation of the OSC pin starts in RC oscillator operating mode (the IC starts receiving the external clock in external clock operating mode), execution of the instruction is enabled.

### (2) INSTRUCTION REGISTER, INSTRUCTION DECODER

When a reset is applied, these circuits are forcibly initialized internally. Then, when instruction execution starts, the IC operates according to those instructions.

### (3) ADDRESS REGISTER, ADDRESS COUNTER

When a reset is applied, these circuits are forcibly initialized internally. Then, the DCRAM and the ADRAM addresses are set when "Set AC address" instruction is executed.

### (4) DCRAM, ADRAM, CGRAM

Since the contents of the DCRAM, ADRAM, and CGRAM become undefined during a reset, applications must execute "DCRAM data write", "ADRAM data write (If the ADRAM is used.)", and "CGRAM data write (If the CGRAM is used.)" instructions before executing a "display on/off control" instruction.

### (5) CGROM

Character patterns are stored in this ROM.

### (6) LATCH

Although the value of the data in the latch is undefined during a reset, the ADRAM, CGROM, and CGRAM data is stored by executing a "display on/off control" instruction.

### (7) COMMON DRIVER, SEGMENT DRIVER

These circuits are forced to the display off state when a reset is applied.

### (8) CONTRAST ADJUSTER

Display contrast adjustment circuit operation is disabled when a reset is applied. After that, the display contrast can be set by executing a "set display contrast" instruction.

### (9) KEY SCAN, KEY BUFFER

When a reset is applied, these circuits are forcibly initialized internally, and key scan operation is disabled. Also, the key data is all set to 0. After that, key scanning can be performed by executing a "set key scan output port/general-purpose output port state" instruction.

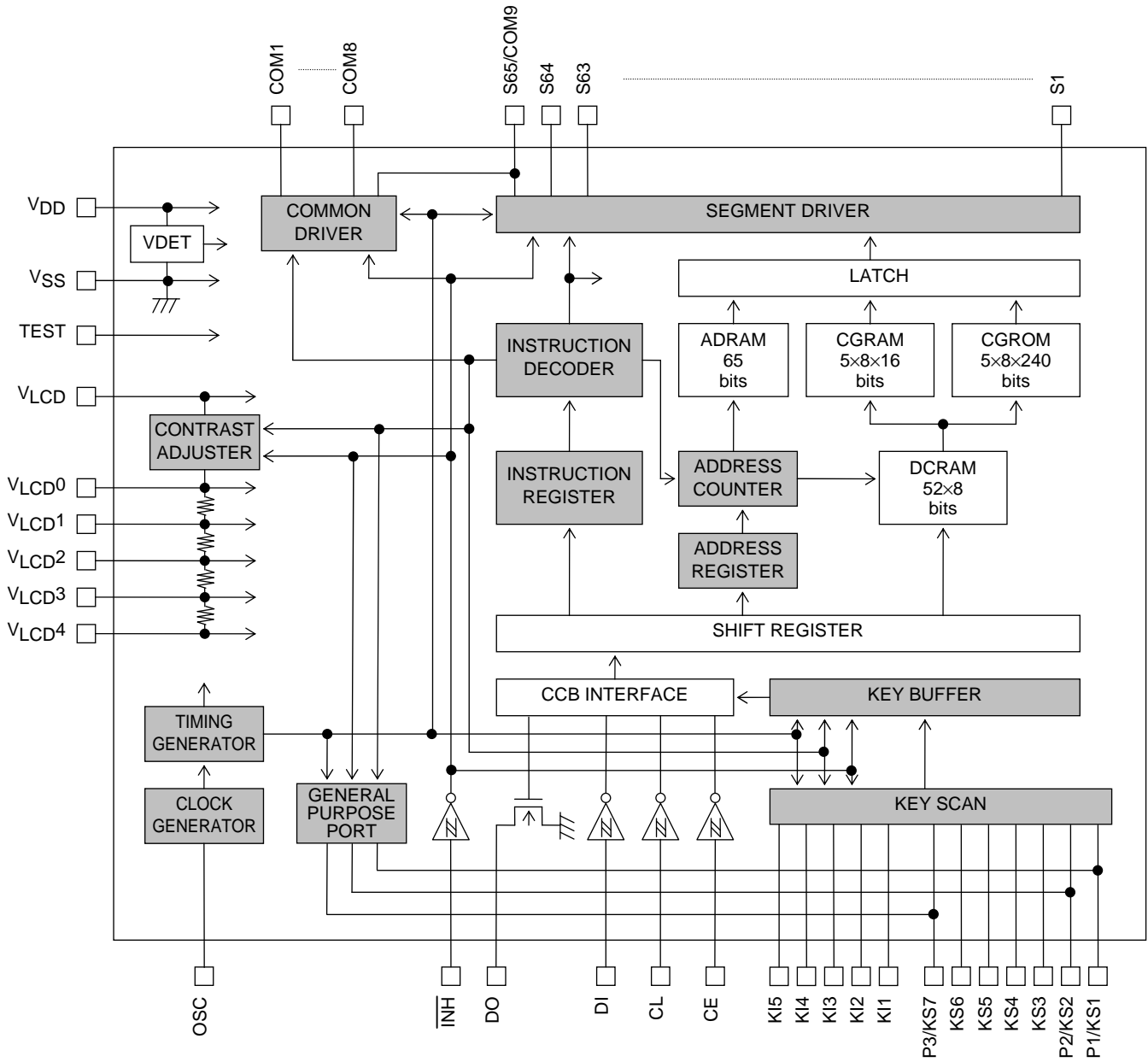
### (10) GENERAL PURPOSE PORT

When a reset is applied, the general-purpose output port state is locked at the low level (VSS).

### (11) CCB INTERFACE, SHIFT REGISTER

These circuits go to the serial data input wait state.

# LC75812PT



Blocks that are reset

### (3) Output pin states during the reset period

Output pin	State during reset	
S1 to S64	L (VLCD4)	
S65/COM9	L (VLCD4)	*24
COM1 to COM8	L (VLCD4)	
KS1/P1, KS2/P2	L (VSS)	*25
KS3 to KS6	L (VSS)	
KS7/P3	L (VSS)	*25
OSC	Z (high-impedance)	*26
DO	H	*27

\*24 This output pin is forcibly set to the segment output function and held low (VLCD4). If the "set display technique" instruction is executed, however, either segment output or common output is selected according to the instruction.

\*25 This output pin is forcibly set to general-purpose output port and held low (VSS). If the "set display technique" and the "set key scan output port/general-purpose output port state" instructions are executed, however, either key scan output port or general-purpose output port is selected according to the instructions.

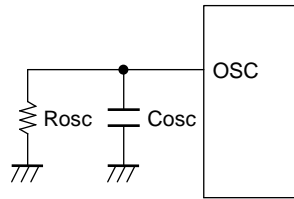
\*26 This I/O pin is forcibly set to the high-impedance state.

\*27 Since this output pin is an open-drain output, a pull-up resistor (between 1kΩ and 10kΩ) is required. This pin is held at the high level even if a key data read operation is performed before executing the "set display technique" or "set key scan output port/general-purpose output port state" instruction.

## OSC Pin Peripheral Circuit

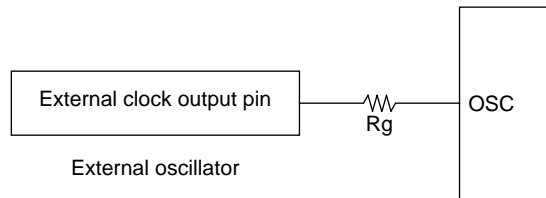
(1) RC oscillator operating mode (when the "set display technique (OC=0)" instruction is executed)

When RC oscillator operating mode is selected, an external resistor  $R_{osc}$  and an external capacitor  $C_{osc}$  must be connected between the OSC pin and GND.



(2) External clock operating mode (when the "set display technique (OC=1)" instruction is executed)

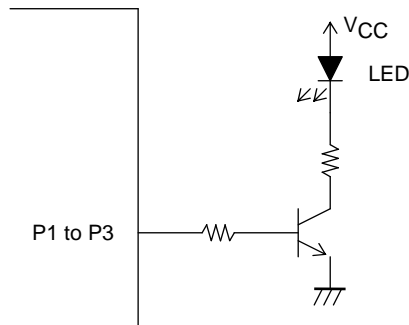
When selecting the external clock operating mode, connect a current protection resistor  $R_g$  (2.2 to 22k $\Omega$ ) between the OSC pin and external clock output pin (external oscillator). Determine the value of the resistance according to the maximum allowable current value at the external clock output pin. Also make sure that the waveform of the external clock is not heavily distorted.



Note: \*28. Allowable current value at external clock output pin  $> \frac{V_{DD}}{R_g}$

## Pins P1 to P3 peripheral circuit

It is recommended that the following circuit be used when adjusting the brightness of the LED backlight in PWM mode using the general-purpose output ports P1 to P3 (when PWM signal output function is selected with the general-purpose output ports P1 to P3 under the "set key scan output port/general-purpose output port state" instruction):



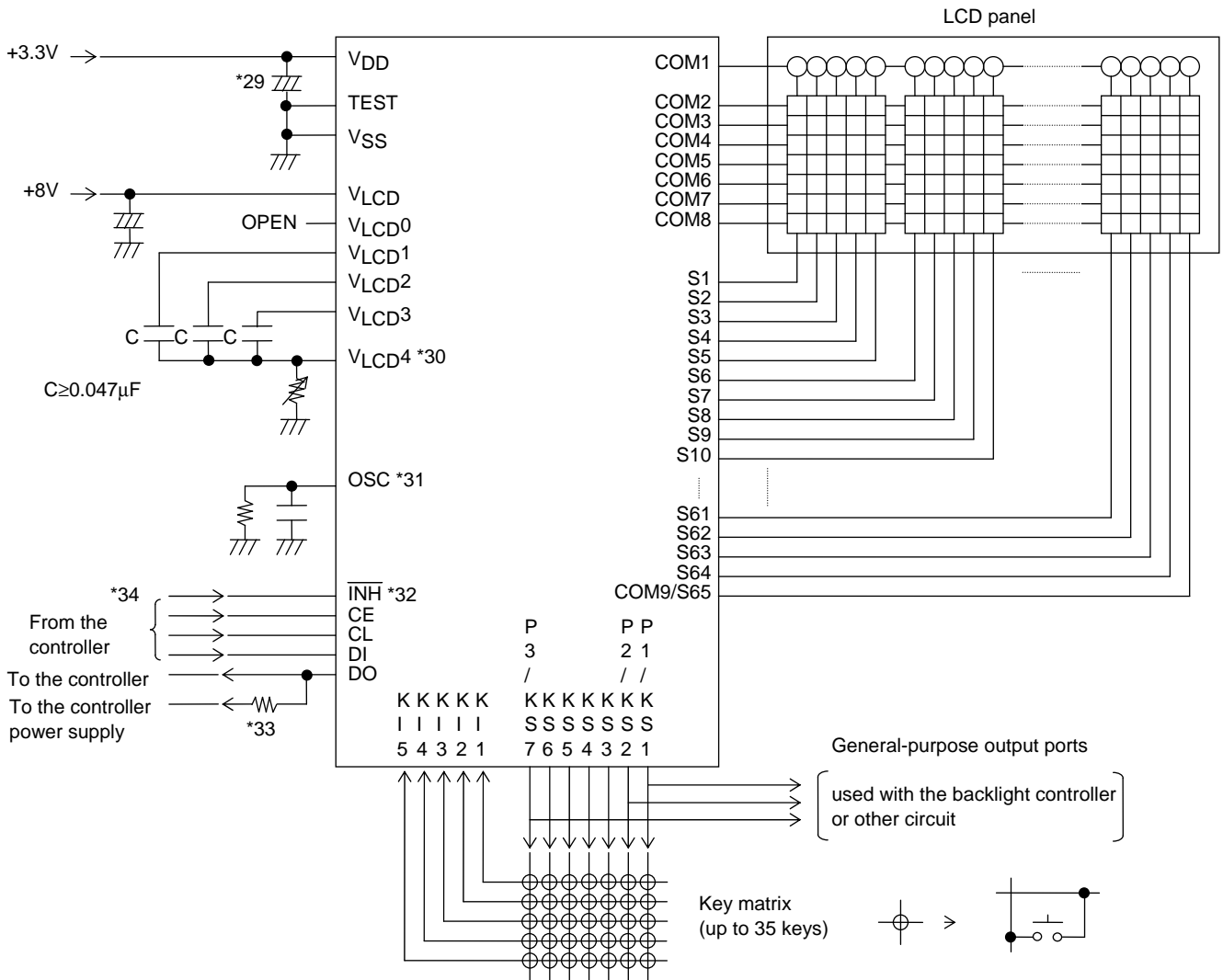
## Note when applying a 5V signal to the CE, CL, DI, and $\overline{INH}$ pins

When applying a 5V signal to the  $\overline{CE}$ , CL, DI, and  $\overline{INH}$  pins which are to be connected to the controller, set the input voltage to the  $\overline{CE}$ , CL, DI, and  $\overline{INH}$  pins to 0V if the logic block power supply ( $V_{DD}$ ) is off, and apply the 5V signal to those pins after turning on the logic block power supply ( $V_{DD}$ ).

# LC75812PT

## Sample Application Circuit 1

1/8 duty, 1/4 bias drive technique (for use with normal panels)



Note \*29. Add a capacitor to the logic block power supply line so that the logic block power supply voltage  $V_{DD}$  rise time when power is applied and the logic block power supply voltage  $V_{DD}$  fall time when power drops are both at least 1 ms, as the LC75812PT is reset by the  $V_{DET}$ .

\*30. If a variable resistor is not used for display contrast fine adjustment, the  $V_{LCD4}$  pin must be connected to ground.

\*31. In RC oscillator operating mode, an external resistor,  $R_{osc}$ , and an external capacitor,  $C_{osc}$ , must be connected between the OSC pin and ground. When selecting the external clock operating mode, connect a current protection resistor  $R_g$  (2.2 to 22k $\Omega$ ) between the OSC pin and the external clock output pin (external oscillator). (See the "OSC Pin Peripheral Circuit" section.)

\*32. If the function of INH pin is not used, the INH pin must be connected to the logic block power supply  $V_{DD}$ .

\*33. The DO pin, being an open-drain output, requires a pull-up resistor. Select a resistance (between 1k $\Omega$  and 10k $\Omega$ ) appropriate for the capacitance of the external wiring so that signal waveforms are not degraded.

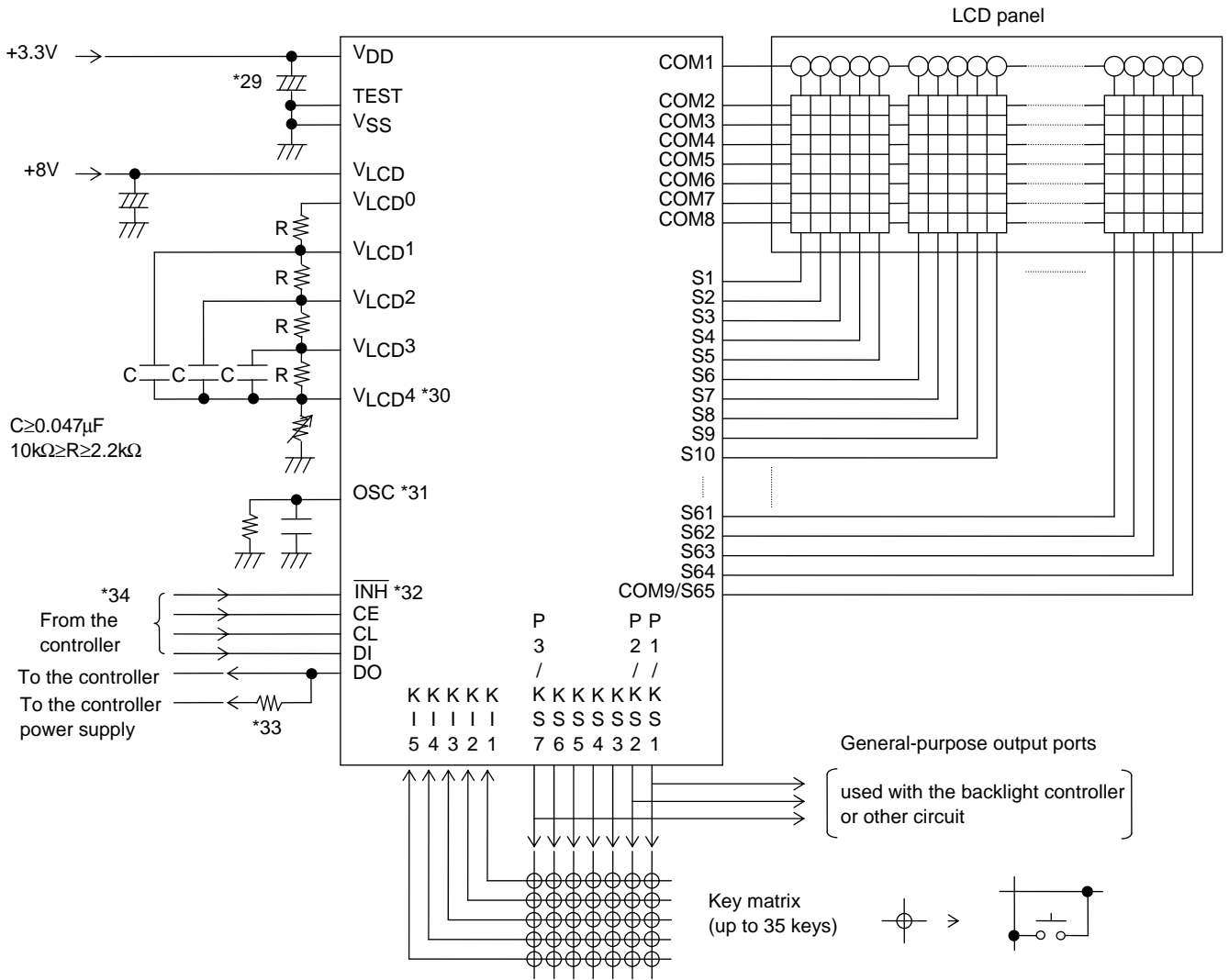
\*34. When applying a 5V signal to the CE, CL, DI, and INH pins, set the input voltage to 0V if the logic block power supply ( $V_{DD}$ ) is off and apply the 5V signal to those pins after turning on the logic block power supply ( $V_{DD}$ ).



# LC75812PT

## Sample Application Circuit 2

1/8 duty, 1/4 bias drive technique (for use with large panels)



Note \*29. Add a capacitor to the logic block power supply line so that the logic block power supply voltage  $V_{DD}$  rise time when power is applied and the logic block power supply voltage  $V_{DD}$  fall time when power drops are both at least 1 ms, as the LC75812PT is reset by the  $V_{DET}$ .

\*30. If a variable resistor is not used for display contrast fine adjustment, the  $V_{LCD4}$  pin must be connected to ground.

\*31. In RC oscillator operating mode, an external resistor,  $R_{osc}$ , and an external capacitor,  $C_{osc}$ , must be connected between the OSC pin and ground. When selecting the external clock operating mode, connect a current protection resistor  $R_g$  (2.2 to 22k $\Omega$ ) between the OSC pin and the external clock output pin (external oscillator). (See the “OSC Pin Peripheral Circuit” section.)

\*32. If the function of INH pin is not used, the INH pin must be connected to the logic block power supply  $V_{DD}$ .

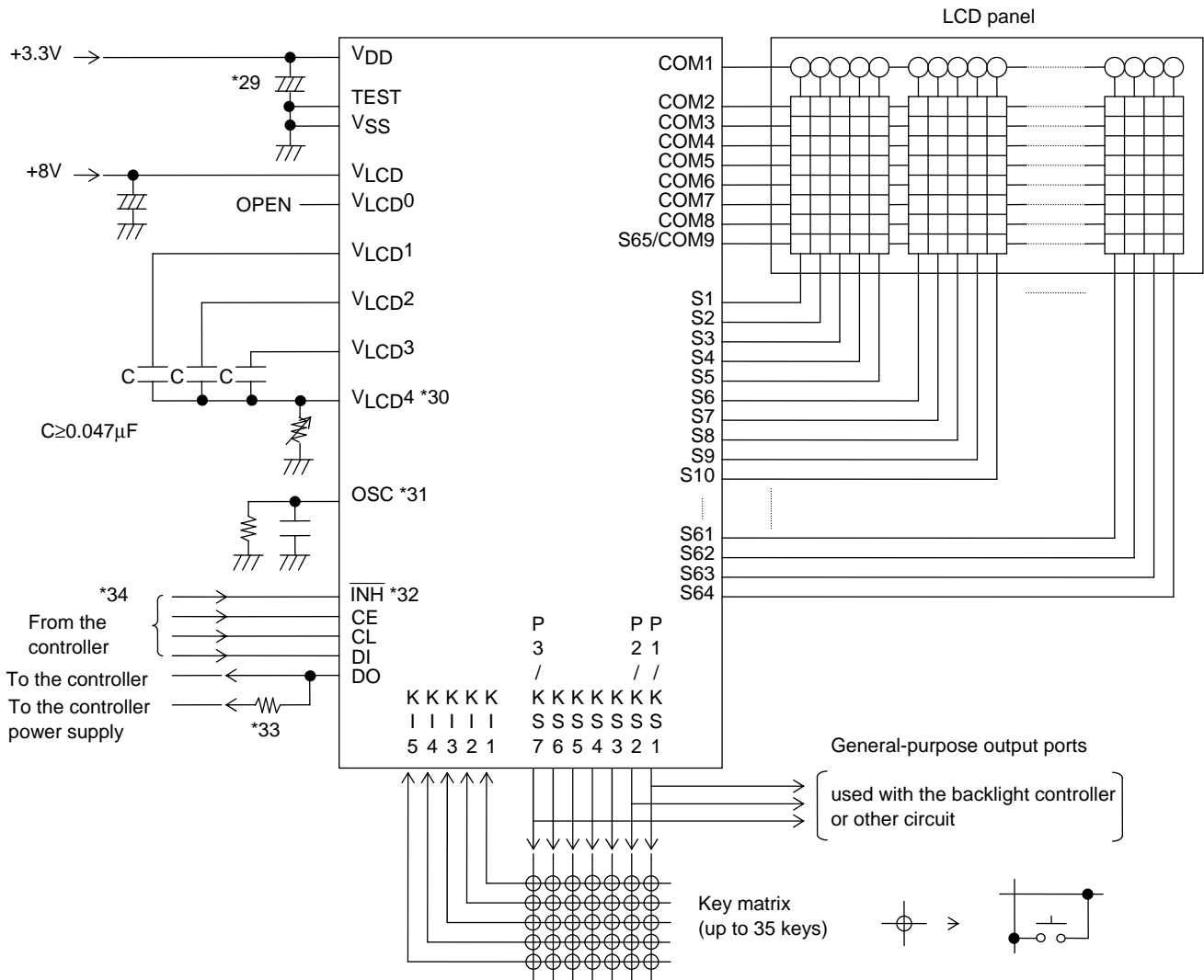
\*33. The DO pin, being an open-drain output, requires a pull-up resistor. Select a resistance (between 1k $\Omega$  and 10k $\Omega$ ) appropriate for the capacitance of the external wiring so that signal waveforms are not degraded.

\*34. When applying a 5V signal to the CE, CL, DI, and INH pins, set the input voltage to 0V if the logic block power supply ( $V_{DD}$ ) is off and apply the 5V signal to those pins after turning on the logic block power supply ( $V_{DD}$ ).

# LC75812PT

## Sample Application Circuit 3

1/9 duty, 1/4 bias drive technique (for use with normal panels)



Note \*29. Add a capacitor to the logic block power supply line so that the logic block power supply voltage  $V_{DD}$  rise time when power is applied and the logic block power supply voltage  $V_{DD}$  fall time when power drops are both at least 1 ms, as the LC75812PT is reset by the  $V_{DET}$ .

\*30. If a variable resistor is not used for display contrast fine adjustment, the  $V_{LCD4}$  pin must be connected to ground.

\*31. In RC oscillator operating mode, an external resistor,  $R_{osc}$ , and an external capacitor,  $C_{osc}$ , must be connected between the OSC pin and ground. When selecting the external clock operating mode, connect a current protection resistor  $R_g$  (2.2 to 22k $\Omega$ ) between the OSC pin and the external clock output pin (external oscillator). (See the "OSC Pin Peripheral Circuit" section.)

\*32. If the function of INH pin is not used, the INH pin must be connected to the logic block power supply  $V_{DD}$ .

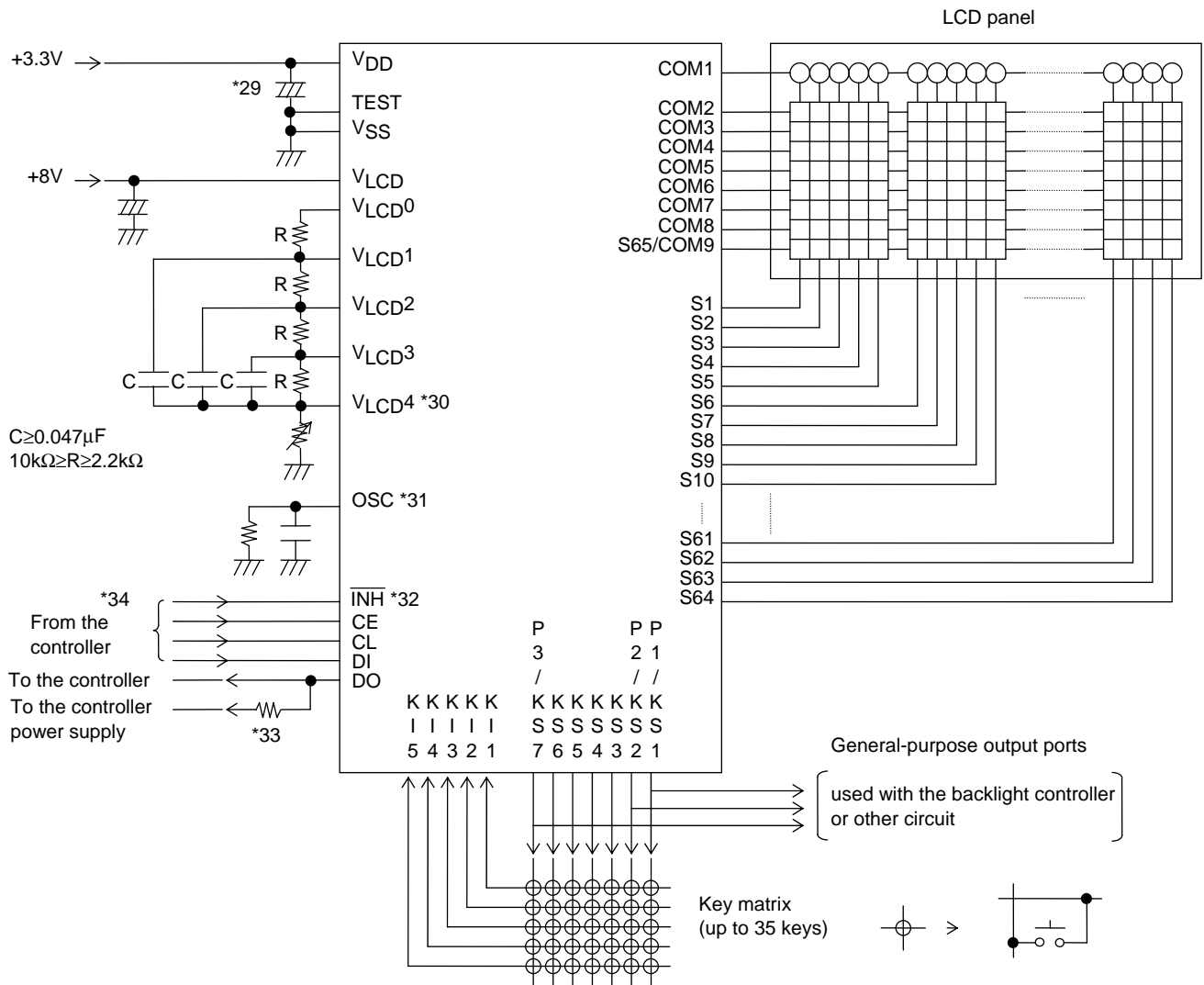
\*33. The DO pin, being an open-drain output, requires a pull-up resistor. Select a resistance (between 1k $\Omega$  and 10k $\Omega$ ) appropriate for the capacitance of the external wiring so that signal waveforms are not degraded.

\*34. When applying a 5V signal to the CE, CL, DI, and INH pins, set the input voltage to 0V if the logic block power supply ( $V_{DD}$ ) is off and apply the 5V signal to those pins after turning on the logic block power supply ( $V_{DD}$ ).

# LC75812PT

## Sample Application Circuit 4

1/9 duty, 1/4 bias drive technique (for use with large panels)



Note \*29. Add a capacitor to the logic block power supply line so that the logic block power supply voltage  $V_{DD}$  rise time when power is applied and the logic block power supply voltage  $V_{DD}$  fall time when power drops are both at least 1 ms, as the LC75812PT is reset by the  $V_{DET}$ .

\*30. If a variable resistor is not used for display contrast fine adjustment, the  $V_{LCD4}$  pin must be connected to ground.

\*31. In RC oscillator operating mode, an external resistor,  $R_{osc}$ , and an external capacitor,  $C_{osc}$ , must be connected between the OSC pin and ground. When selecting the external clock operating mode, connect a current protection resistor  $R_g$  (2.2 to 22k $\Omega$ ) between the OSC pin and the external clock output pin (external oscillator). (See the "OSC Pin Peripheral Circuit" section.)

\*32. If the function of INH pin is not used, the INH pin must be connected to the logic block power supply  $V_{DD}$ .

\*33. The DO pin, being an open-drain output, requires a pull-up resistor. Select a resistance (between 1k $\Omega$  and 10k $\Omega$ ) appropriate for the capacitance of the external wiring so that signal waveforms are not degraded.

\*34. When applying a 5V signal to the CE, CL, DI, and INH pins, set the input voltage to 0V if the logic block power supply ( $V_{DD}$ ) is off and apply the 5V signal to those pins after turning on the logic block power supply ( $V_{DD}$ ).

# LC75812PT

## Sample Correspondence between Instructions and the Display (When the LC75812PT-8565 is used)

No.	Instruction (hexadecimal)						Display	Operation	
	LSB D96 to D99	D100 to D103	D104 to D107	D108 to D111	D112 to D115	MSB D116 to D119			
1	Power application (Initialization with the V <sub>DET</sub> )						[ ]	Initializes the IC. The display is in the off state.	
2	Set display technique						[ ]	Sets to 1/8 duty 1/4 bias display drive technique	
3	DCRAM data write (normal increment mode)						[ ]	Writes the display data " " to DCRAM address 00H	
	0	2	0	0	1	A			
4	DCRAM data write (normal increment mode)						[ ]	Writes the display data "S" to DCRAM address 01H	
									3
5	DCRAM data write (normal increment mode)						[ ]	Writes the display data "A" to DCRAM address 02H	
									1
6	DCRAM data write (normal increment mode)						[ ]	Writes the display data "N" to DCRAM address 03H	
									E
7	DCRAM data write (normal increment mode)						[ ]	Writes the display data "Y" to DCRAM address 04H	
									9
8	DCRAM data write (normal increment mode)						[ ]	Writes the display data "O" to DCRAM address 05H	
									F
9	DCRAM data write (normal increment mode)						[ ]	Writes the display data " " to DCRAM address 06H	
									0
10	DCRAM data write (normal increment mode)						[ ]	Writes the display data "L" to DCRAM address 07H	
									C
11	DCRAM data write (normal increment mode)						[ ]	Writes the display data "S" to DCRAM address 08H	
									3
12	DCRAM data write (normal increment mode)						[ ]	Writes the display data "I" to DCRAM address 09H	
									9
13	DCRAM data write (normal increment mode)						[ ]	Writes the display data " " to DCRAM address 0AH	
									0
14	DCRAM data write (normal increment mode)						[ ]	Writes the display data "L" to DCRAM address 0BH	
									C
15	DCRAM data write (normal increment mode)						[ ]	Writes the display data "C" to DCRAM address 0CH	
									3
16	DCRAM data write (normal increment mode)						[ ]	Writes the display data "7" to DCRAM address 0DH	
									7
17	DCRAM data write (normal increment mode)						[ ]	Writes the display data "5" to DCRAM address 0EH	
									5
18	DCRAM data write (normal increment mode)						[ ]	Writes the display data "8" to DCRAM address 0FH	
									8
19	DCRAM data write (normal increment mode)						[ ]	Writes the display data "1" to DCRAM address 10H	
									1
20	DCRAM data write (normal increment mode)						[ ]	Writes the display data "2" to DCRAM address 11H	
									2
21	DCRAM data write (normal increment mode)						[ ]	Writes the display data " " to DCRAM address 12H	
									0

Continued on next page.

# LC75812PT

Continued from preceding page.

No.	Instruction (hexadecimal)						Display	Operation
	LSB D96 to D99	D100 to D103	D104 to D107	D108 to D111	D112 to D115	MSB D116 to D119		
22	Set AC address							Loads the DGRAM address 00H and the ADRAM address 0H into AC
	0 0 0 0 2							
23	Display on/off control						S A N Y O L S I L C	Turns on the LCD for all digits (13 digits) in MDATA
	F	F	F	1	1	4		
24	Display shift						S A N Y O L S I L C 7	Shifts the display (MDATA only) to the left
	1 C							
25	Display shift						A N Y O L S I L C 7 5	Shifts the display (MDATA only) to the left
	1 C							
26	Display shift						N Y O L S I L C 7 5 8	Shifts the display (MDATA only) to the left
	1 C							
27	Display shift						Y O L S I L C 7 5 8 1	Shifts the display (MDATA only) to the left
	1 C							
28	Display shift						O L S I L C 7 5 8 1 2	Shifts the display (MDATA only) to the left
	1 C							
29	Display shift						L S I L C 7 5 8 1 2	Shifts the display (MDATA only) to the left
	1 C							
30	Display on/off control							Set to sleep mode, turns off the LCD for all digits
	0	0	0	0	8	4		
31	Display on/off control						L S I L C 7 5 8 1 2	Turns on the LCD for all digits (13 digits) in MDATA
	F	F	F	1	1	4		
32	Set AC address						S A N Y O L S I L C	Loads the DGRAM address 00H and the ADRAM address 0H into AC
	0 0 0 0 2							

\*35) The sample correspondence between the instructions and the display assumes the use of 13 digits×1 row 5×7 dot matrix LCD. Neither CGRAM nor ADRAM are used.

## LC75812PT

\*36) Given below are the data formats of the "DCRAM data write" instructions (No. 3 to No. 21) for the sample correspondence between the instructions and the display executed in the super increment mode. In the super increment mode processing example shown below, 19 characters of DCRAM data is divided and written into DCRAM in two operations.

No.	Instruction (HEX)											
	LSB											MSB
	D0 to D3	D4 to D7	D8 to D11	D12 to D15	D16 to D19	D20 to D23	D24 to D27	D28 to D31	D32 to D35	D36 to D39	D40 to D43	D44 to D47
3 to 15	DCRAM data write (Super increment mode)											
	0	2	3	5	1	4	E	4	9	5	F	4
16 to 21	DCRAM data write (Super increment mode)											

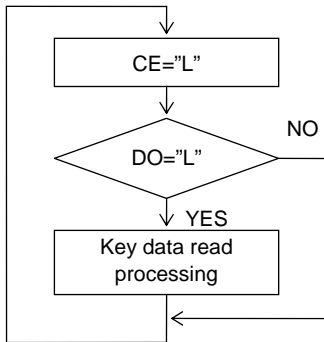
No.	Instruction (HEX)											
	LSB											MSB
	D48 to D51	D52 to D55	D56 to D59	D60 to D63	D64 to D67	D68 to D71	D72 to D75	D76 to D79	D80 to D83	D84 to D87	D88 to D91	D92 to D95
3 to 15	DCRAM data write (Super increment mode)											
	0	2	C	4	3	5	9	4	0	2	C	4
16 to 21	DCRAM data write (Super increment mode)											
			7	3	5	3	8	3	1	3	2	3

No.	Instruction (HEX)						Operation
	LSB					MSB	
	D96 to D99	D100 to D103	D104 to D107	D108 to D111	D112 to D115	D116 to D119	
3 to 15	DCRAM data write (Super increment mode)						Display data " " "S" "A" "N" "Y" "O" " " "L" "S" "I" " " "L" "C" are written sequentially to DCRAM addresses 00H to 0CH.
	3	4	0	0	2	A	
16 to 21	DCRAM data write (Super increment mode)						Display data "7" "5" "8" "1" "2" " " are written sequentially to DCRAM addresses 0DH to 12H.
	0	2	D	0	2	A	

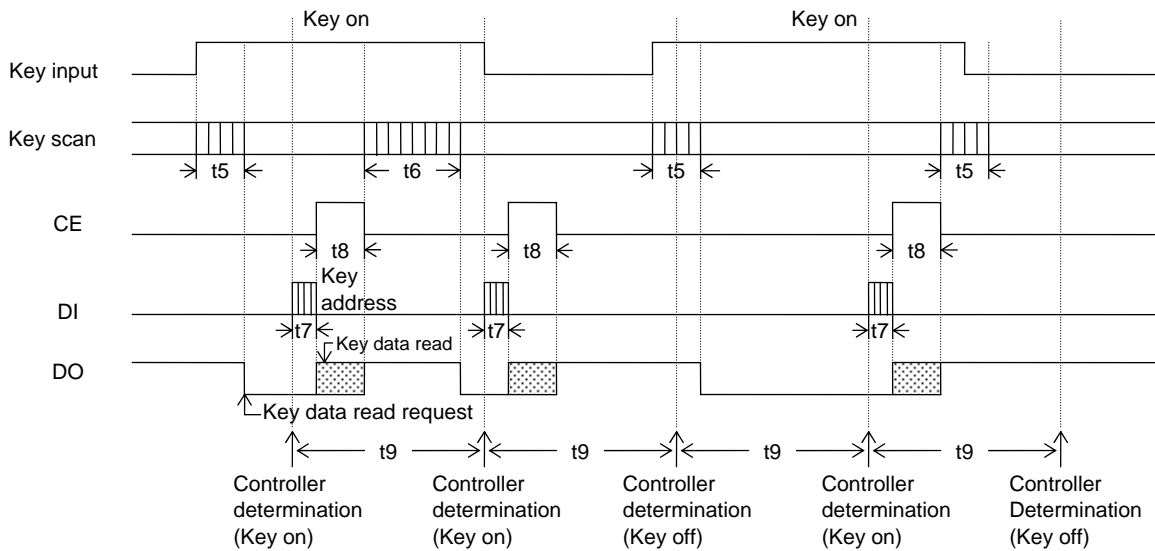
Notes on the controller key data read techniques

1. Timer based key data acquisition

- Flowchart



- Timing chart



t5: Key scan execution time when the key data agreed for two key scans. (4800T(s))

t6: Key scan execution time when the key data did not agree for two key scans and the key scan was executed again. (9600T(s))

t7: Key address (43H) transfer time

t8: Key data read time

$$T = \frac{1}{f_{osc}} \quad T = \frac{1}{f_{CK}}$$

- Explanation

In this technique, the controller uses a timer to determine key on/off states and read the key data. The controller must check the DO state when CE is low every t9 period without fail. If DO is low, the controller recognizes that a key has been pressed and executes the key data read operation.

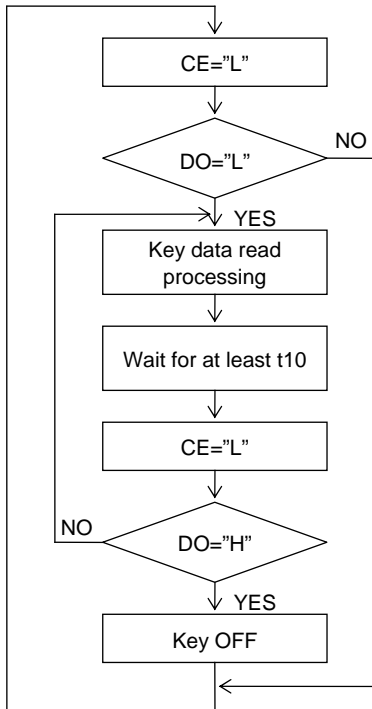
The period t9 in this technique must satisfy the following condition.

$$t9 > t6 + t7 + t8$$

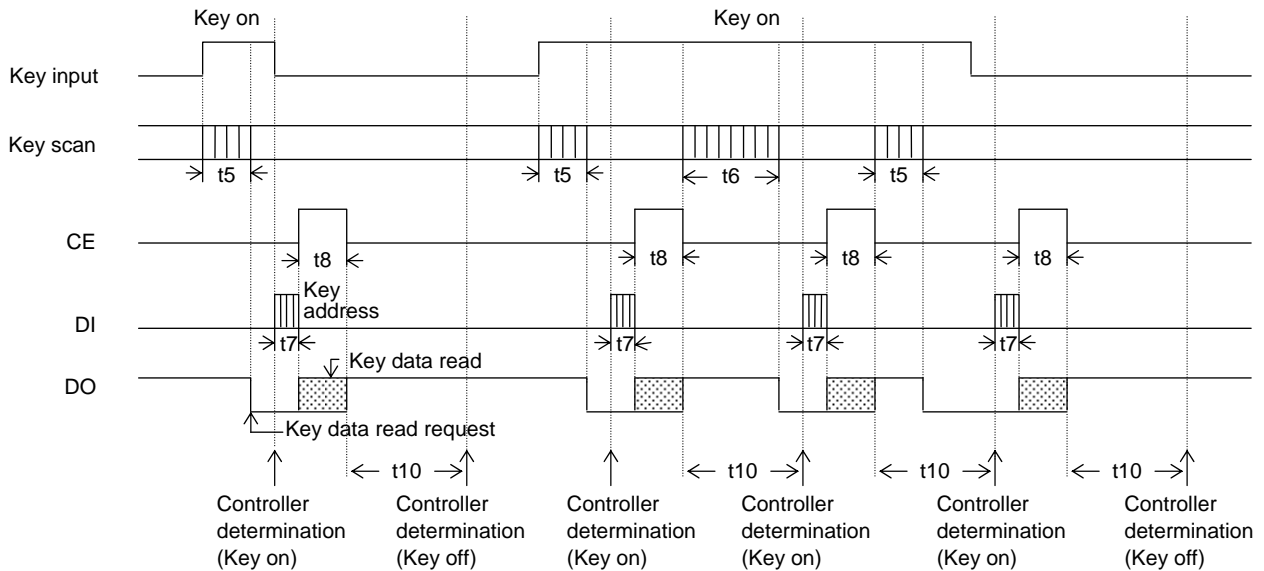
When key data read operation is executed with DO set high (no key data read request present), the key data (KD1 to KD35) and sleep acknowledge data (SA) are invalid.

2. Interrupt based key data acquisition

• Flowchart



• Timing chart



t5: Key scan execution time when the key data agreed for two key scans. (4800T(s))

t6: Key scan execution time when the key data did not agree for two key scans and the key scan was executed again. (9600T(s))

t7: Key address (43H) transfer time

t8: Key data read time

$$T = \frac{1}{f_{osc}} \quad T = \frac{1}{f_{CK}}$$

• Explanation

In this technique, the controller uses interrupts to determine key on/off states and read the key data. The controller must check the DO state when CE is low. If DO is low, the controller recognizes that a key has been pressed and executes the key data read operation. After that the next key on/off determination is performed after the time t10 has elapsed by checking the DO state when CE is low and reading the key data. The period t10 in this technique must satisfy the following condition.

$$t10 > t6$$

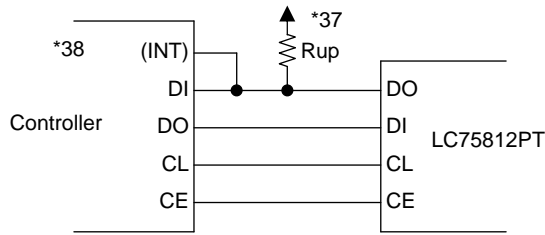
When key data read operation is executed with DO set high (no key data read request present), the key data (KD1 to KD35) and sleep acknowledge data (SA) are invalid.



## About Data Communication Method with The Controller

### 1. About data communication method of 4 line type CCB format

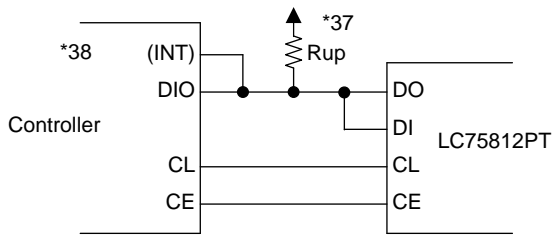
The 4 line type CCB format is the data communication method of before. The LC75812PT must connect to the controller as followings.



Note: \*37. Connect the pull-up resistor  $R_{up}$ . Select a resistance (between 1 to 10k $\Omega$ ) appropriate for the capacitance of the external wiring so that signal waveforms are not degraded.  
 \*38. The (INT) pin is an input port for the key data read request signal (a low level on DO) detection.

### 2. About data communication method of 3 line type CCB format

The 3 line type CCB format is the data communication method that made a common use of the data input DI in the data output DO. The LC75812PT must connect to the controller as followings.



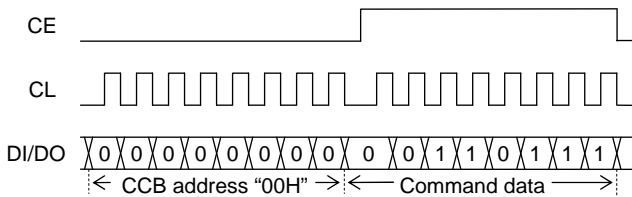
Note: \*37. Connect the pull-up resistor  $R_{up}$ . Select a resistance (between 1 to 10k $\Omega$ ) appropriate for the capacitance of the external wiring so that signal waveforms are not degraded.  
 \*38. The (INT) pin is an input port for the key data read request signal (a low level on DO) detection.

In this case, Applications must transfer the data communication start command before the serial data input (CCB address "42H", display data and control data transfer) or serial data output (CCB address "43H" transfer, key data read) to avoid the collision of the data input signal DI and the data output signal DO.

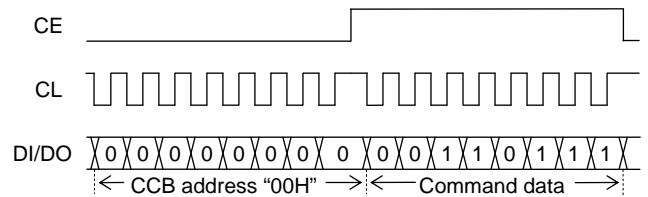
Then applications must transfer the data communication stop command when the controller wants to detect the key data read request signal (a low level on DO) during a movement stop of the serial data input and the serial data output.

#### <1> Data communication start command

(1) When CL is stopped at the low level

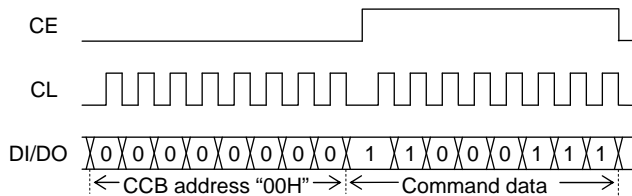


(2) When CL is stopped at the high level

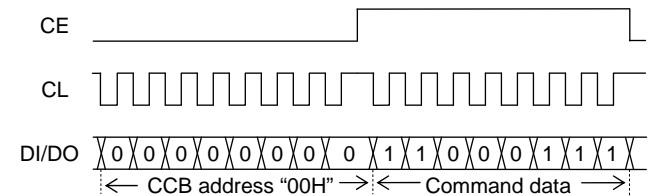


#### <2> Data communication stop command

(1) When CL is stopped at the low level

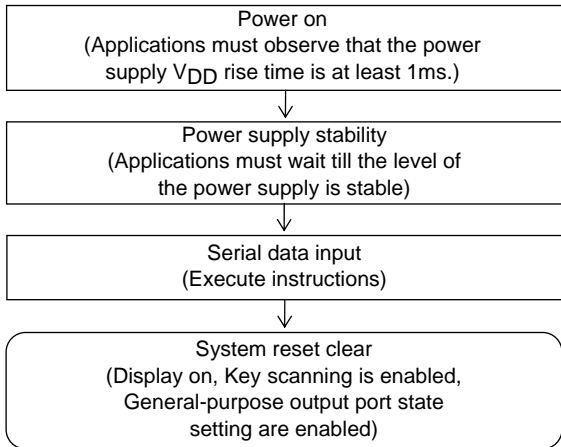


(2) When CL is stopped at the high level



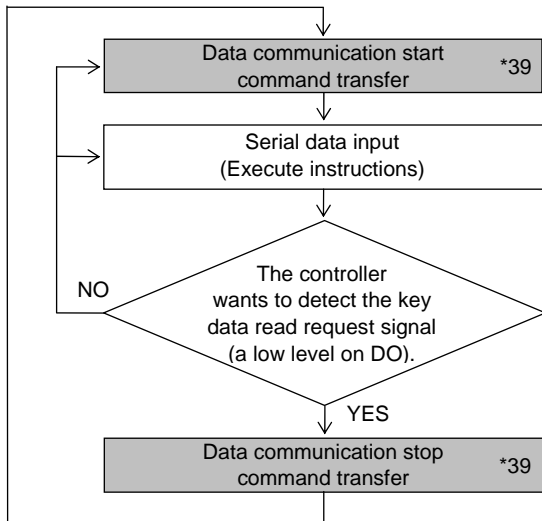
**Data Communication Flowchart of 4 Line Type or 3 Line Type CCB Format**

1. Flowchart of the initial setting when power is turned on.



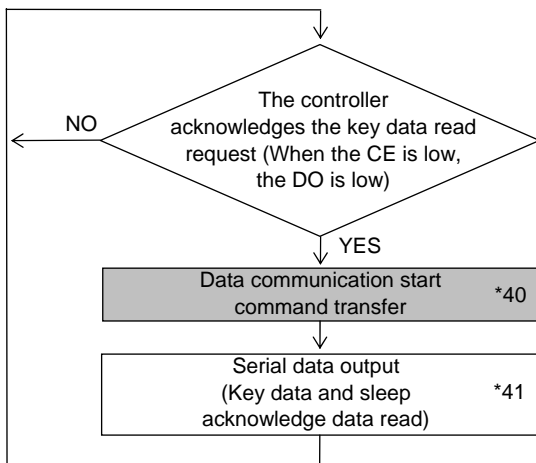
Note: The flowchart for power-on time initialization is the same for the 4- and 3-wire CCB formats. See "Power Supply Sequence" and "System Reset."

2. Flowchart of the serial data input



Note: \*39. In the case of the 4 line type CCB format, the transfers of data communication start command and data communication stop command are unnecessary, and, in the case of the 3 line type CCB format, these transfers are necessary.

3. Flowchart of the serial data output



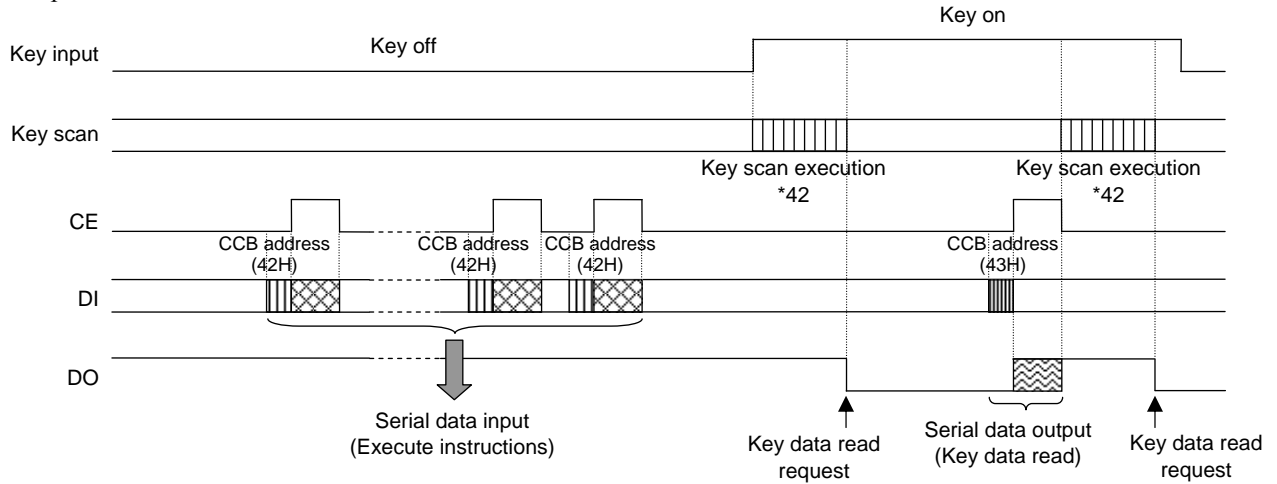
Note: \*40. In the case of the 4 line type CCB format, the transfer of data communication start command is unnecessary, and, in the case of the 3 line type CCB format, the transfer is necessary.

\*41. Because the serial data output has the role of the data communication stop command, it is not necessary to transfer the data communication stop command some other time.

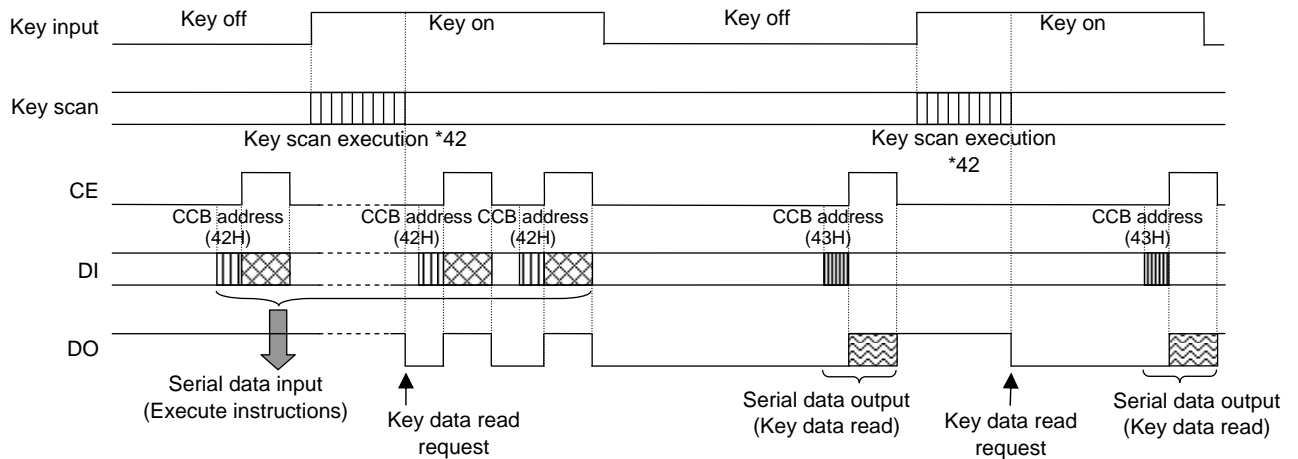
Timing Chart of 4 Line Type and 3 Line Type CCB Format

1. Timing chart of 4 line type CCB format

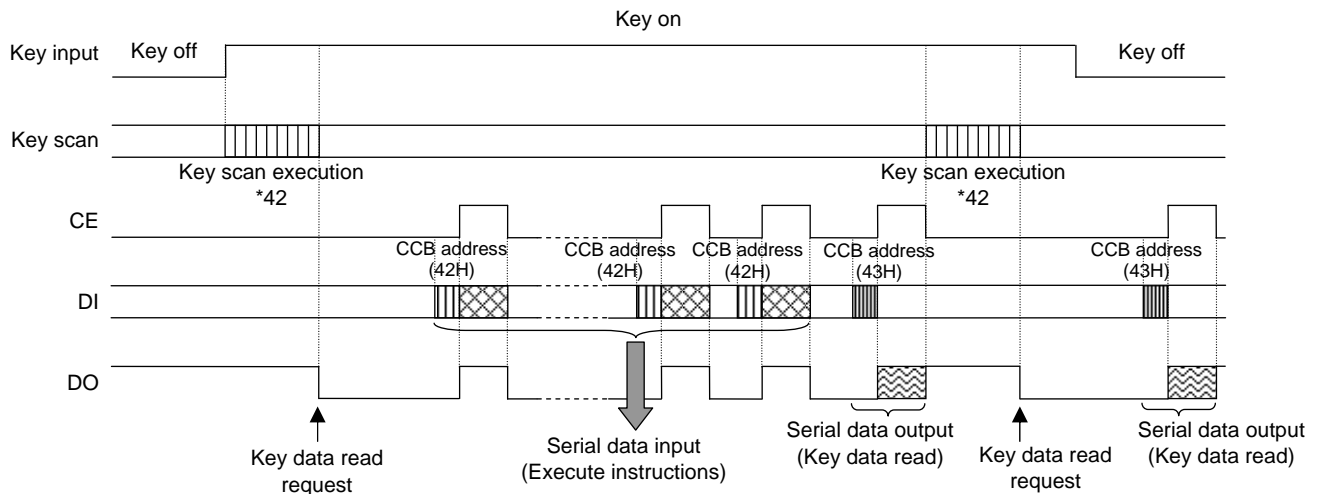
<Example 1>



<Example 2>



<Example 3>



Note: \*42. When the key data agrees for two key scans, the key scan execution time is 4800T[s].

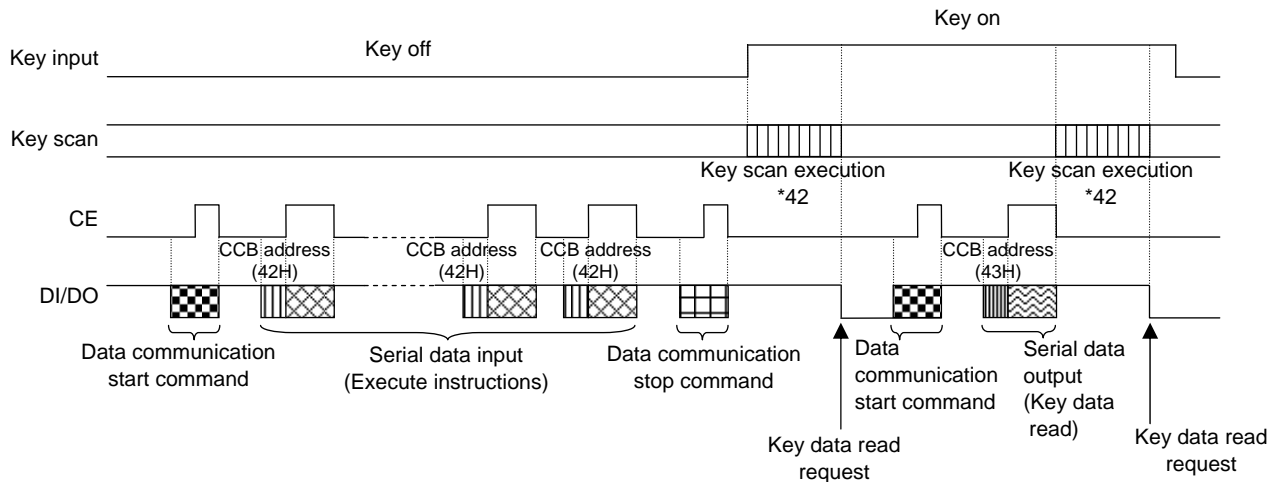
And, when the key data does not agree for two key scans and the key scan is executed again, the key scan execution time is 9600T[s].

$$T = \frac{1}{f_{osc}} \quad T = \frac{1}{f_{CK}}$$

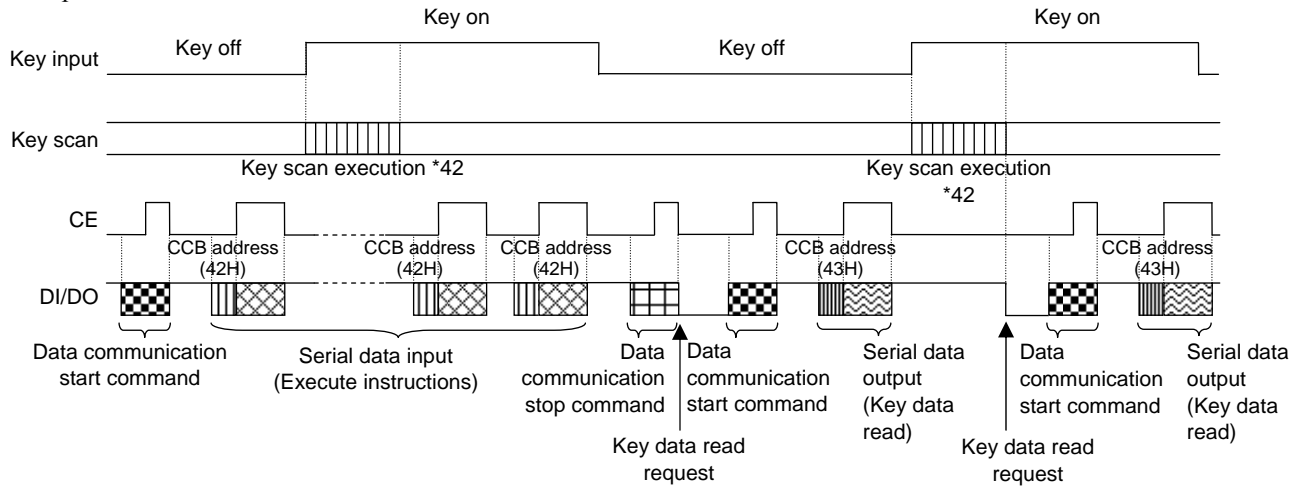
# LC75812PT

## 2. Timing chart of 3 line type CCB format

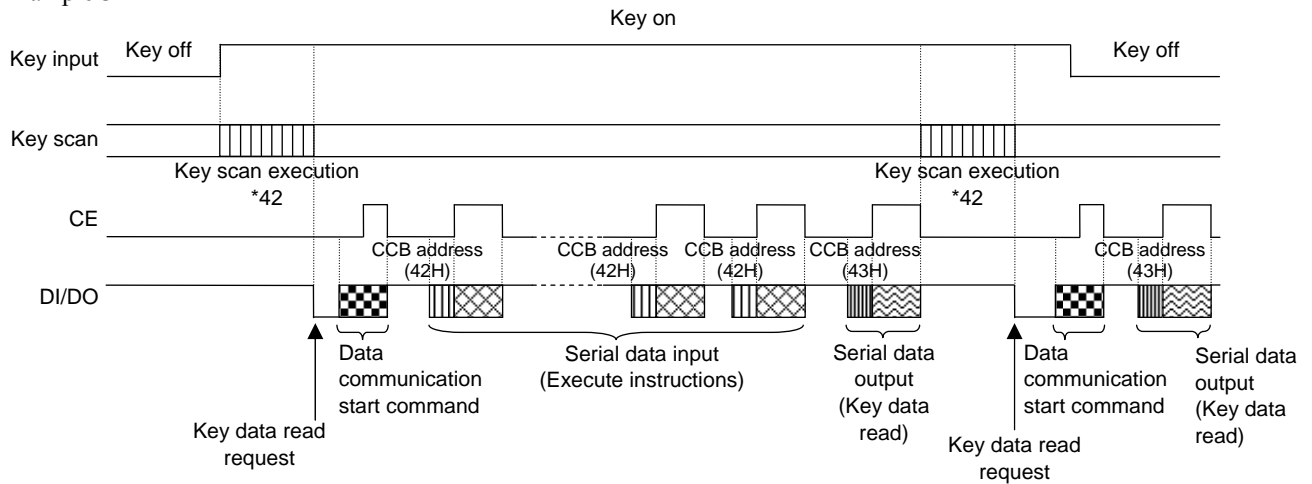
<Example 1>



<Example 2>



<Example 3>



Note: \*42. When the key data agrees for two key scans, the key scan execution time is 4800T[s].  
 And, when the key data does not agree for two key scans and the key scan is executed again, the key scan execution time is 9600T[s].

$$T = \frac{1}{f_{osc}} \quad T = \frac{1}{f_{CK}}$$

LC75812PT-8565 Character Font (Standard)

Lower 4BIT	Upper 4BIT	MSB 0000		0010		0011		0100		0101		0110		0111		1000		1001		1010		1011		1100		1101		1110		1111	
		CG	RAM(1)	(2)	(3)	(4)	(5)	(6)	(7)	(8)	(9)	(10)	(11)	(12)	(13)	(14)	(15)	(16)													
0000	LSB	α	β	±	÷	π	ζ	Φ	φ	Æ	æ	Œ	œ	→	←	↑	↓	á	â	ã	ä	å	ä	å	ä	å	ä	å	ä	å	
0001		!	”	#	\$	%	&	'	(	)	*	+	,	-	.	/	á	â	ã	ä	å	ä	å	ä	å	ä	å	ä	å		
0010																		á	â	ã	ä	å	ä	å	ä	å	ä	å	ä	å	
0011																		á	â	ã	ä	å	ä	å	ä	å	ä	å	ä	å	
0100																		á	â	ã	ä	å	ä	å	ä	å	ä	å	ä	å	
0101																		á	â	ã	ä	å	ä	å	ä	å	ä	å	ä	å	
0110																		á	â	ã	ä	å	ä	å	ä	å	ä	å	ä	å	
0111																		á	â	ã	ä	å	ä	å	ä	å	ä	å	ä	å	
1000																		á	â	ã	ä	å	ä	å	ä	å	ä	å	ä	å	
1001																		á	â	ã	ä	å	ä	å	ä	å	ä	å	ä	å	
1010																		á	â	ã	ä	å	ä	å	ä	å	ä	å	ä	å	
1011																		á	â	ã	ä	å	ä	å	ä	å	ä	å	ä	å	
1100																		á	â	ã	ä	å	ä	å	ä	å	ä	å	ä	å	
1101																		á	â	ã	ä	å	ä	å	ä	å	ä	å	ä	å	
1110																		á	â	ã	ä	å	ä	å	ä	å	ä	å	ä	å	
1111																		á	â	ã	ä	å	ä	å	ä	å	ä	å	ä	å	

- SANYO Semiconductor Co.,Ltd. assumes no responsibility for equipment failures that result from using products at values that exceed, even momentarily, rated values (such as maximum ratings, operating condition ranges, or other parameters) listed in products specifications of any and all SANYO Semiconductor Co.,Ltd. products described or contained herein.
- SANYO Semiconductor Co.,Ltd. strives to supply high-quality high-reliability products, however, any and all semiconductor products fail or malfunction with some probability. It is possible that these probabilistic failures or malfunction could give rise to accidents or events that could endanger human lives, trouble that could give rise to smoke or fire, or accidents that could cause damage to other property. When designing equipment, adopt safety measures so that these kinds of accidents or events cannot occur. Such measures include but are not limited to protective circuits and error prevention circuits for safe design, redundant design, and structural design.
- In the event that any or all SANYO Semiconductor Co.,Ltd. products described or contained herein are controlled under any of applicable local export control laws and regulations, such products may require the export license from the authorities concerned in accordance with the above law.
- No part of this publication may be reproduced or transmitted in any form or by any means, electronic or mechanical, including photocopying and recording, or any information storage or retrieval system, or otherwise, without the prior written consent of SANYO Semiconductor Co.,Ltd.
- Any and all information described or contained herein are subject to change without notice due to product/technology improvement, etc. When designing equipment, refer to the "Delivery Specification" for the SANYO Semiconductor Co.,Ltd. product that you intend to use.
- Information (including circuit diagrams and circuit parameters) herein is for example only; it is not guaranteed for volume production.
- Upon using the technical information or products described herein, neither warranty nor license shall be granted with regard to intellectual property rights or any other rights of SANYO Semiconductor Co.,Ltd. or any third party. SANYO Semiconductor Co.,Ltd. shall not be liable for any claim or suits with regard to a third party's intellectual property rights which has resulted from the use of the technical information and products mentioned above.

This catalog provides information as of March, 2010. Specifications and information herein are subject to change without notice.