

**P/N: VP2019X DATA SHEET**

Page : 1/1

Feature

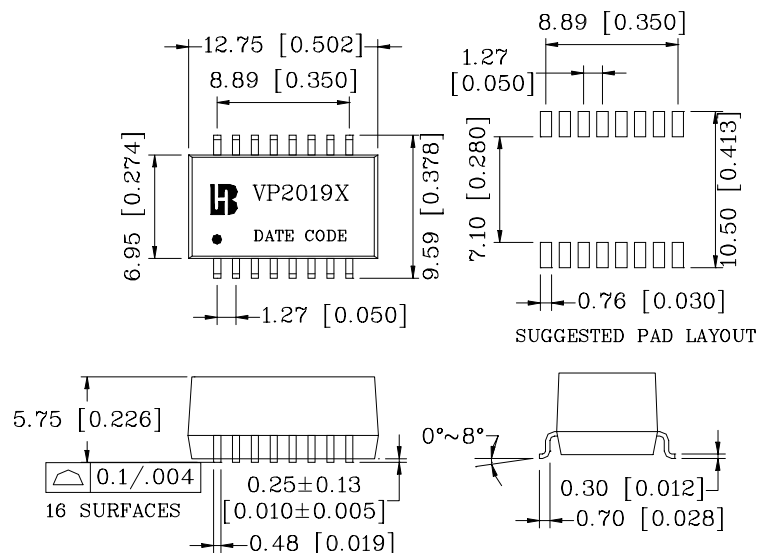
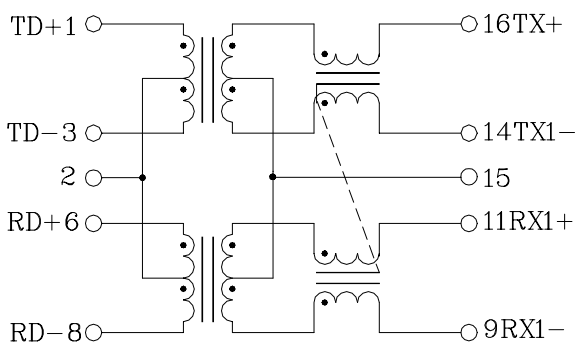
- IEEE 802.3af/ANSI X3.263 compliant performance.
- 350mA current capability.
- Designed to for IP phone or switch applications.
- Compact footprint.
- Operating temperature range: 0°C to +70°C.
- Storage temperature range: -25°C to +125°C.

Electrical Specifications @ 25°C

| Part Number | Turns Ratio (±5%) TX/RX | Cross talk (dB Min) | | | HI-POT (Vrms) |
|-------------|-------------------------|---------------------|-------|--------|---------------|
| | | 30MHz | 60MHz | 100MHz | |
| VP2019X | 1CT:1CT | -45 | -40 | -35 | 1500 |

Continue

| Part Number | Insertion Loss (dB Max) | Return Loss (dB Min)@Load 100Ω | | | | DCMR (dB Min) | | |
|-------------|-------------------------|--------------------------------|-------|-------|----------|---------------|-------|--------|
| | | 1-30MHz | 40MHz | 50MHz | 60-80MHz | 30MHz | 60MHz | 100MHz |
| VP2019X | -1.2 | -16 | -14 | -13 | -12 | -43 | -37 | -33 |

Schematic**Mechanical**

Units: mm [Inches] Tolerance: xx.x0±0.25 [0.010]
0.xx±0.05 [0.002]