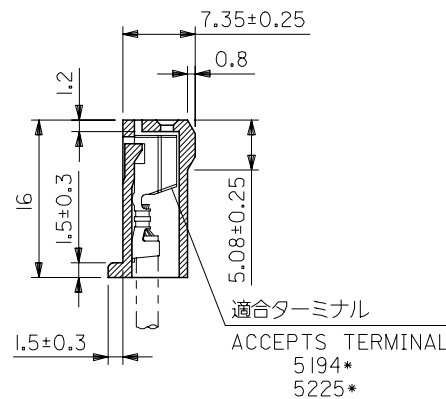
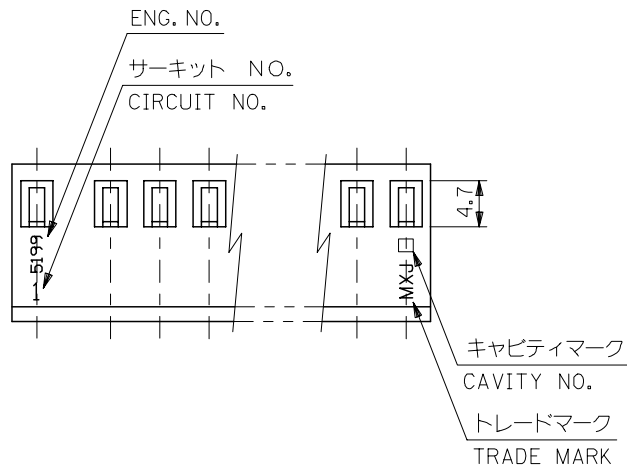
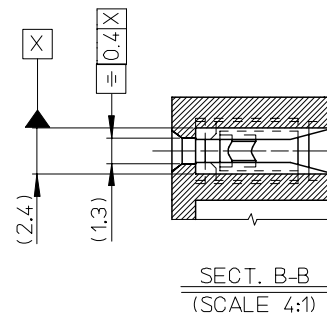
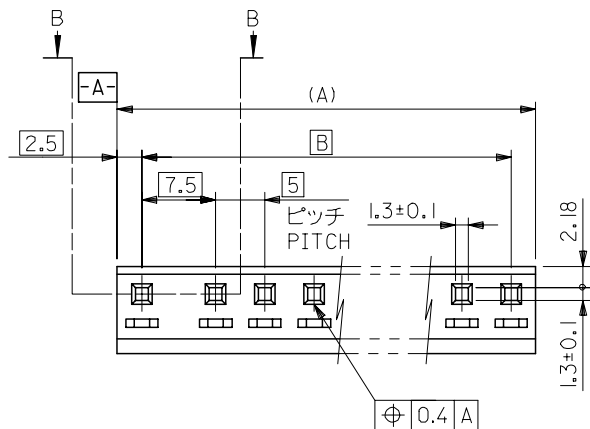


10 9 8 7 6 5 4 3 2 1



注) NOTE.

1. 各部のそりは0.5最大
WARPING:0.5MAX.
2. サーキットNO. はNO. " 1" のみ表示
CIRCUIT NO. : "I" ONLY

10-63-3064	5199-06	27.5	32.5	6
▲ -3054	▲ -05	22.5	27.5	5
▼ -3044	▼ -04	17.5	22.5	4
▼ -3034	▼ -03	12.5	17.5	3
10-63-3024	5199-02	7.5	12.5	2
EDP.NO.	ENG.NO.	B	(A)	極数 CKT.

REVISED EC NO: J2007-3407 DRWN:TKON 2007/06/20 CHK:DM SOGAYA 2007/06/25 APPR:THARUYAMA 2007/06/25	GENERAL TOLERANCES (UNLESS SPECIFIED)		DIMENSION STYLE MM ONLY		SCALE 2:1	DESIGN UNITS METRIC	THIRD ANGLE PROJECTION	
	10 UNDER	±0.2	DRAWN BY K.KOHAMA	DATE 2000/03/28	TITLE SPOX 5/7.5 PITCH REC HSG			
	10 OVER 30 UNDER	±0.25	CHECKED BY T.YAMAGUCHI	DATE 2000/03/30	APPROVED BY M.FUKUSHIMA 2000/03/30			
	30 OVER	±0.3	APPROVED BY M.FUKUSHIMA 2000/03/30		MOLEX INCORPORATED			
	ANGULAR ±3 °	DRAFT WHERE APPLICABLE MUST REMAIN WITHIN DIMENSIONS		MATERIAL NO.	DOCUMENT NO. SD-5199-001	SHEET NO. 1 OF 1		
J	REV	SEE TABLE						THIS DRAWING CONTAINS INFORMATION THAT IS PROPRIETARY TO MOLEX INCORPORATED AND SHOULD NOT BE USED WITHOUT WRITTEN PERMISSION