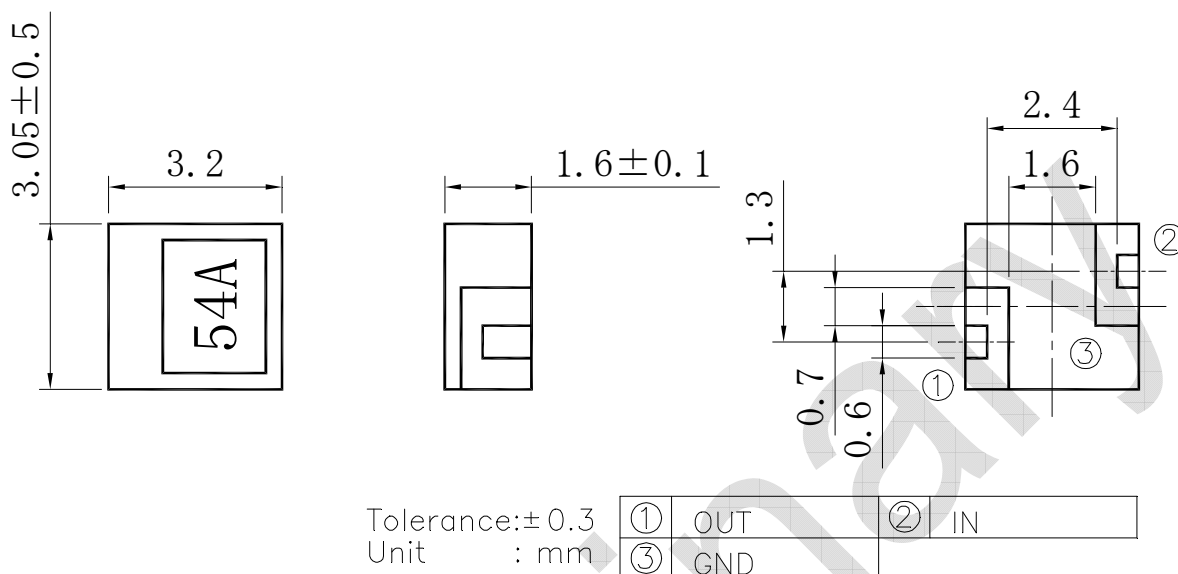


Specification of Dielectric Filter

(Preliminary)

Toko P/No. : TDFS8A-5437Z-10A

1.Outline Dimension



2.Electrical Characteristics

	Specification
Center Frequency(F_0)	: 5437.50 MHz
Passband Width	: $F_0 \pm 287.50$ MHz
Passband Insertion Loss	: 1.20 dB max.
Passband Ripple	: 1.00 dB max.
Passband V.S.W.R.	: 2.00 max.
Attenuation (absolute value) at 3500.00 MHz :	25.00 dB min.
In/Out Impedance	: 50 Ω

This filter was measured on a PC board in TOKO standard test jig.

Test jig loss (0.3dB) is not included in IL and Attenuation.

Precaution

Do not connect terminals to DC voltage.

Notice

Note that the contents are subject to change or discontinuation without notice.

Please request for official specification for approval before using this products.