

4

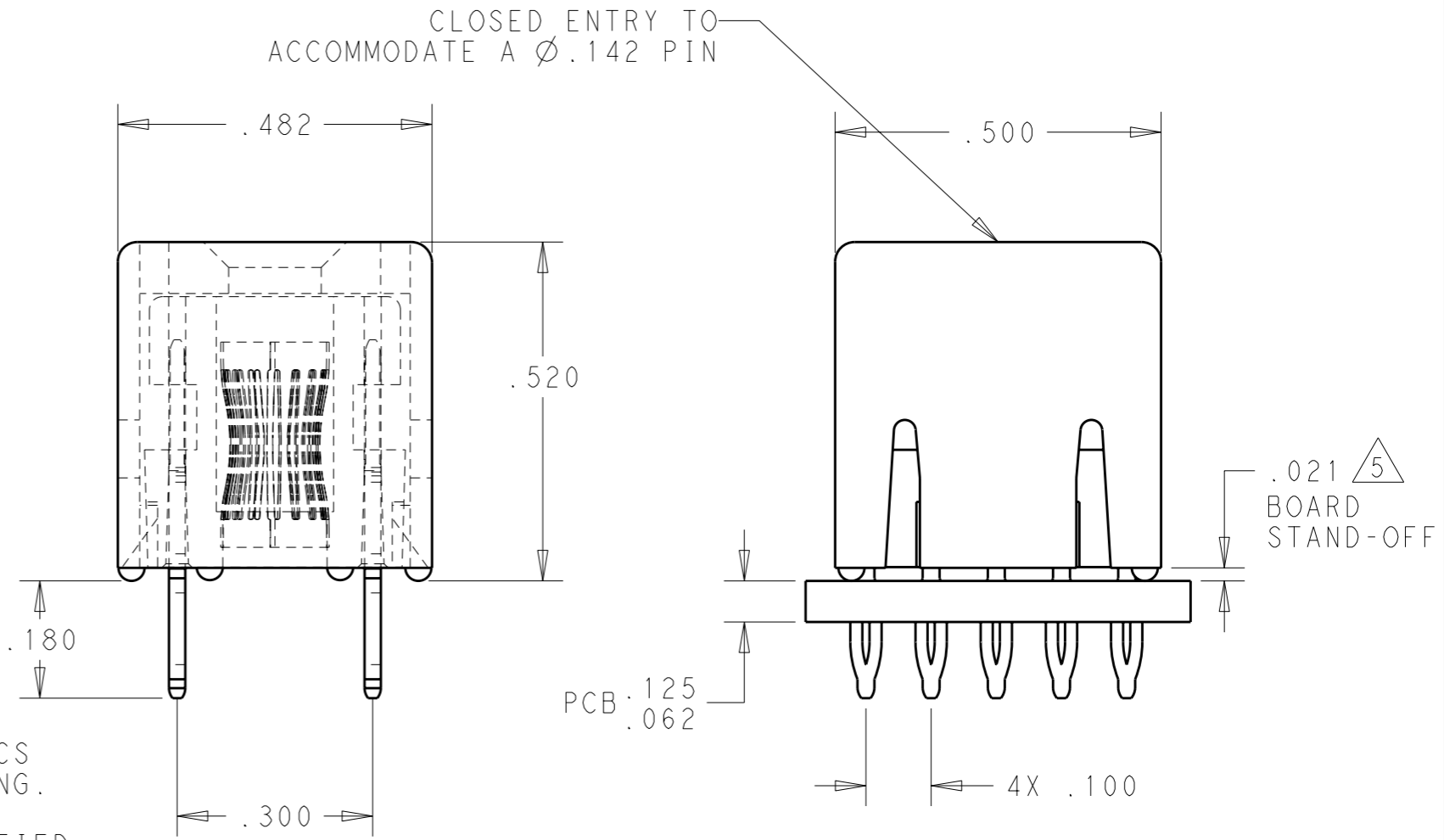
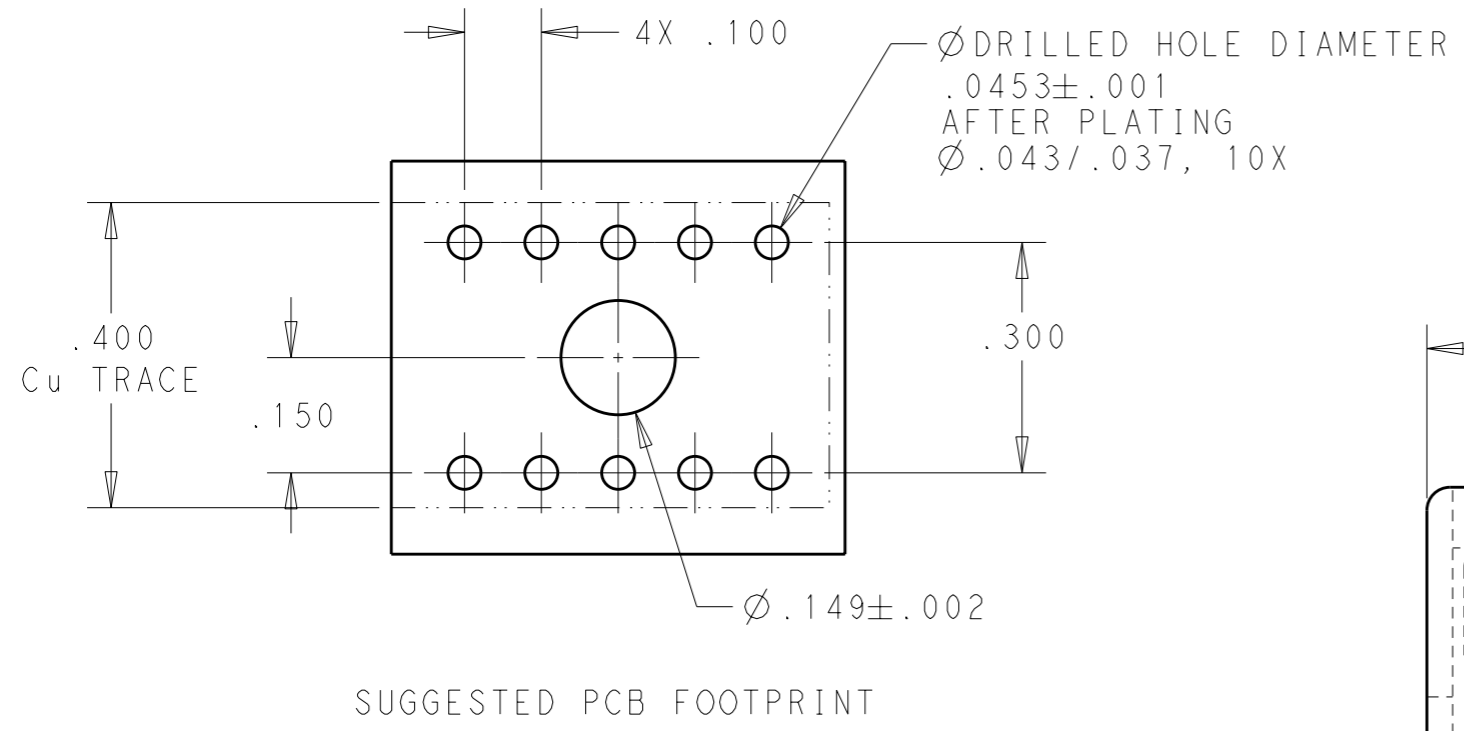
3

2

1

THIS DRAWING IS UNPUBLISHED. RELEASED FOR PUBLICATION 20
 © COPYRIGHT 20 BY TYCO ELECTRONICS CORPORATION. ALL INTERNATIONAL RIGHTS RESERVED.

LOC	DIST	REVISIONS			
P	LTR	DESCRIPTION	DATE	DWN	APVD
GP	00	B	REV PER ECO-10-021627	24JAN2011	RG NE



- PART NUMBER CHANGES AND/OR DESIGN CHANGES AFFECTING ITEM INTERCHANGEABILITY REQUIRE PRIOR TYCO ELECTRONICS APPROVAL AND AUTHORIZATION BY REVISION TO THIS DRAWING.
- ITEMS PROVIDED TO THIS SPECIFICATION SHALL BE IDENTIFIED ON THE CONTAINER WITH THE FOLLOWING INFORMATION PART NUMBER AND DATE CODE OF MANUFACTURE.
- MATERIAL:
 INSULATOR: POLYESTER, GLASS FILLED, UL 94 V-0 RATED,
 COLOR - BLACK
 MODULE: METAL CASTING
 CROWN: BECU
 COMPLAINT: PHOSPHOR BRONZE
- FINISH:
 MODULE: SILVER PLATED
 CROWN: GOLD PLATED
 COMPLIANT: SILVER PLATED

5 A FIVE-POUND (5lb) FORCE REQUIRED TO CORRECTLY SEAT THE CONNECTOR WITH PLATED THRU HOLES LESS THAN Ø .040.

6643269-1
 PART NUMBER

THIS DRAWING IS A CONTROLLED DOCUMENT FOR TYCO ELECTRONICS CORPORATION IT IS SUBJECT TO CHANGE AND THE CONTROLLING ENGINEERING ORGANIZATION SHOULD BE CONTACTED FOR THE LATEST REVISION.		DWN LOVATO 08/05/05	Tyco Electronics Corporation Harrisburg, PA 17105-3608	
DIMENSIONS: INCHES	TOLERANCES UNLESS OTHERWISE SPECIFIED:	CHK -	NAME IC CON SOCKET, PERPENDICULAR 10 PIN FOOTPRINT WITH COMPLIANT PIN	
	0 PLC ±-	APVD D. CHAU 12/02/05	PRODUCT SPEC -	
	1 PLC ±-	PRODUCT SPEC -	APPLICATION SPEC -	
MATERIAL -	FINISH -	2 PLC ±-	SIZE A3	CAGE CODE 00779
		3 PLC ±.020	DRAWING NO C-6643269	RESTRICTED TO -
		4 PLC ±-	CUSTOMER DRAWING	
		ANGLES ±.5	SCALE 4:1	SHEET 1 OF 1
			REV B	