



Ordering number CA12816_LXP2-RS2

Family	Leila	FWHM	8 degrees
Type	Assembly	Efficiency	92 %
LED	XT-E	cd/lm	15.600
Color	Black	Gerber File	Available
Diameter	21.6 mm		
Height	14.6 mm		
Style	Round		
Optic Material	PMMA		
Holder Material	PC		
Fastening	Tape		
Status	Ready		



Ordering number CA11482_LXP2-D

Family	Leila	FWHM	11 degrees
Type	Assembly	Efficiency	88 %
LED	XT-E	cd/lm	8.950
Color	Black	Gerber File	Available
Diameter	21.6 mm		
Height	14.6 mm		
Style	Round		
Optic Material	PMMA		
Holder Material	PC		
Fastening	Tape		
Status	Ready		



Ordering number CA11484_LXP2-O-90

Family	Leila	FWHM	14+36 degrees
Type	Assembly	Efficiency	84 %
LED	XT-E	cd/lm	3.860
Color	Black	Gerber File	Available
Diameter	21.6 mm		
Height	14.5 mm		
Style	Round		
Optic Material	PMMA		
Holder Material	PC		
Fastening	Tape		
Status	Ready		



Ordering number CA11483_LXP2-M

Family	Leila	FWHM	24 degrees
Type	Assembly	Efficiency	88 %
LED	XT-E	cd/lm	3.900
Color	Black	Gerber File	Available
Diameter	21.6 mm		
Height	14.6 mm		
Style	Round		
Optic Material	PMMA		
Holder Material	PC		
Fastening	Tape		
Status	Ready		



Ordering number CA12392_LXP2-W

Family	Leila	FWHM	41 degrees
Type	Assembly	Efficiency	89 %
LED	XT-E	cd/lm	1.580
Color	Black	Gerber File	Available
Diameter	21.6 mm		
Height	14.6 mm		
Style	Round		
Optic Material	PMMA		
Holder Material	PC		
Fastening	Tape		
Status	Ready		

NOTE: The typical divergence will be changed by different color, chip size and chip position tolerance. The typical total divergence is the full angle measured where the luminous intensity is half of the peak value.



PRODUCT DATASHEET

Leila series

last update 2/5/2012



GENERAL INFORMATION

- Product series especially designed & optimized for XT-E series of LEDs.
- Special care taken to make light distribution as uniform as possible.
- Lens material optical grade PMMA with high UV and temperature resistance (105 degrees of Celcius / 220 degrees of Fahrenheit). Allows use of high current and temperature conditions.

Please find more information about used material from below:

http://ledil.fi/sites/default/files/Documents/Technical/Material/PMMA%20N%20UL94_Yellow%20Card.pdf

<http://ledil.fi/sites/default/files/Documents/Technical/Material/PMMA%20N%20PLEXIGLAS-Datasheet.pdf>

- Optic holder molded by high quality PC material (120 dergees of Celcius / 248 degrees of Fahrenheit).

- Fastening to heat sink with a PU foam adhesive tape of automotive grade. Please find fastening details by clicking link: http://www.ledil.com/datasheets/DataSheet_TAPE.pdf

NOTE 1: We advise customer to ensure the suitability and sufficiency of the bond in the end product. For example, mechanical stress, vibration and holes on the surface of the circuit board weaken the strength of the tape.

NOTE 2: Assembly to the surface must be made straight, so the tape bonds constant and balanced with fastening surface. Slanted assembly might cause unbalanced bond to the surface. All surfaces where tape is applied must be clean, dry and free from grease and dirt.

If cleaning of PCB surfaces is needed, please follow strictly the cleaning instructions of your LED manufacturer - this is important as cleaning shall under no circumstances damage LEDs or other electronics components on the PCB.

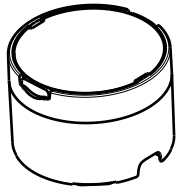
Further note that optical components shall not be cleaned with any chemicals - only micro fiber cloth may be used to remove fingerprints or other traces from handling.

D

C

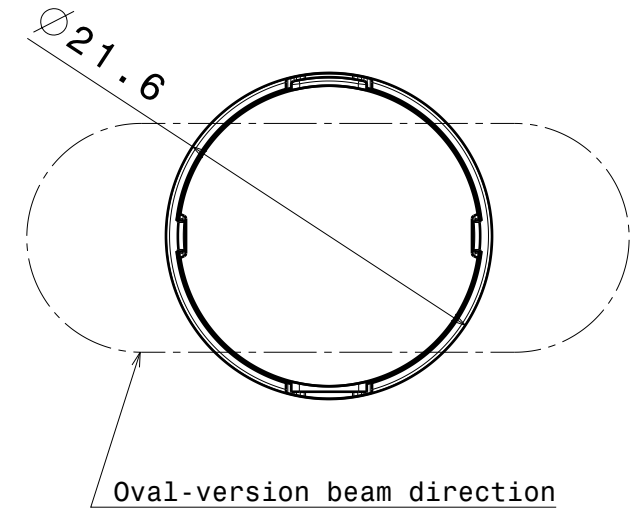
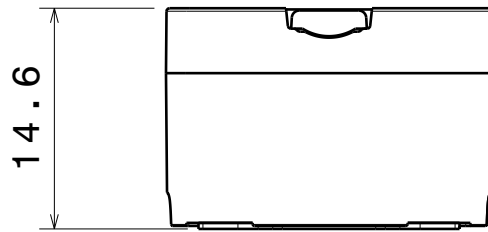
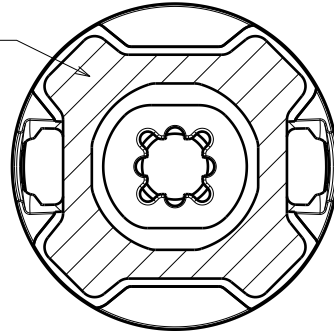
B

A



Isometric view
Scale: 1:1

Tape 0.4mm



MATERIALS
 Lens: PMMA
 Holder: PC
 Tape: PU Foam

Part no.s:
 CA11481_LXP2-RS
 CA11481_LXP2-G-RS
 CA11482_LXP2-D
 CA11482_LXP2-G-D
 CA11483_LXP2-M
 CA11483_LXP2-G-M
 CA11484_LXP2-O-90
 CA11484_LXP2-G-O-90

This drawing is our property.
 It can't be reproduced
 or communicated without
 our written agreement.



L
T
F
F

e
e
i
i
N
n

d
h

DRAWING TITLE

Datasheet Leila LXP2-Series assy

DRAWN BY
p

DATE
02.12.2010

CHECKED BY
t k

DATE
12.04.2010

SIZE A4 **DRAWING NUMBER** **REV** 1

DESIGNED BY
pv

DATE
12.04.2010

SCALE 2:1 **WEIGHT (g)** - **SHEET** 1/1

D

A

4

4

3

3

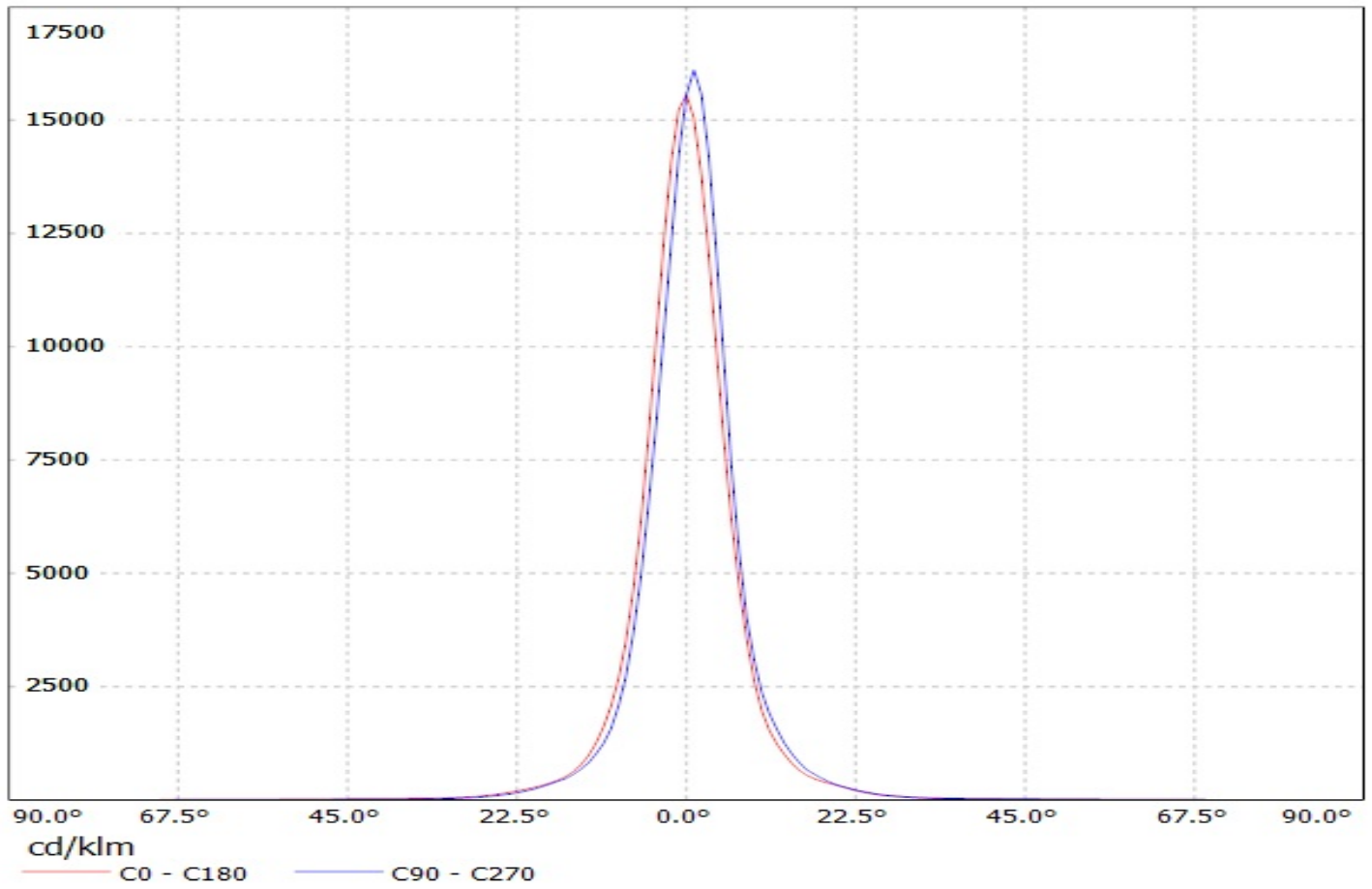
2

2

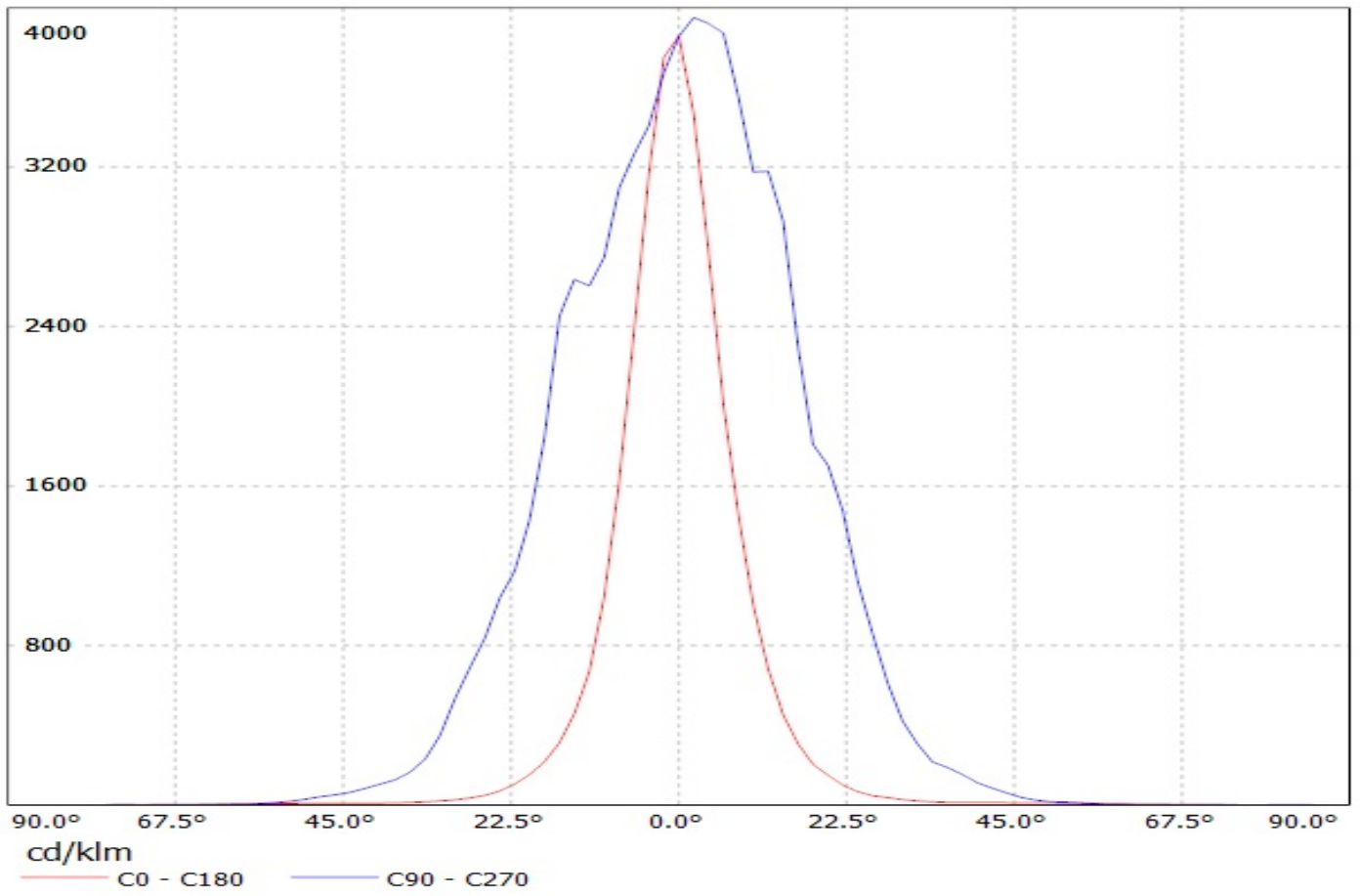
1

1

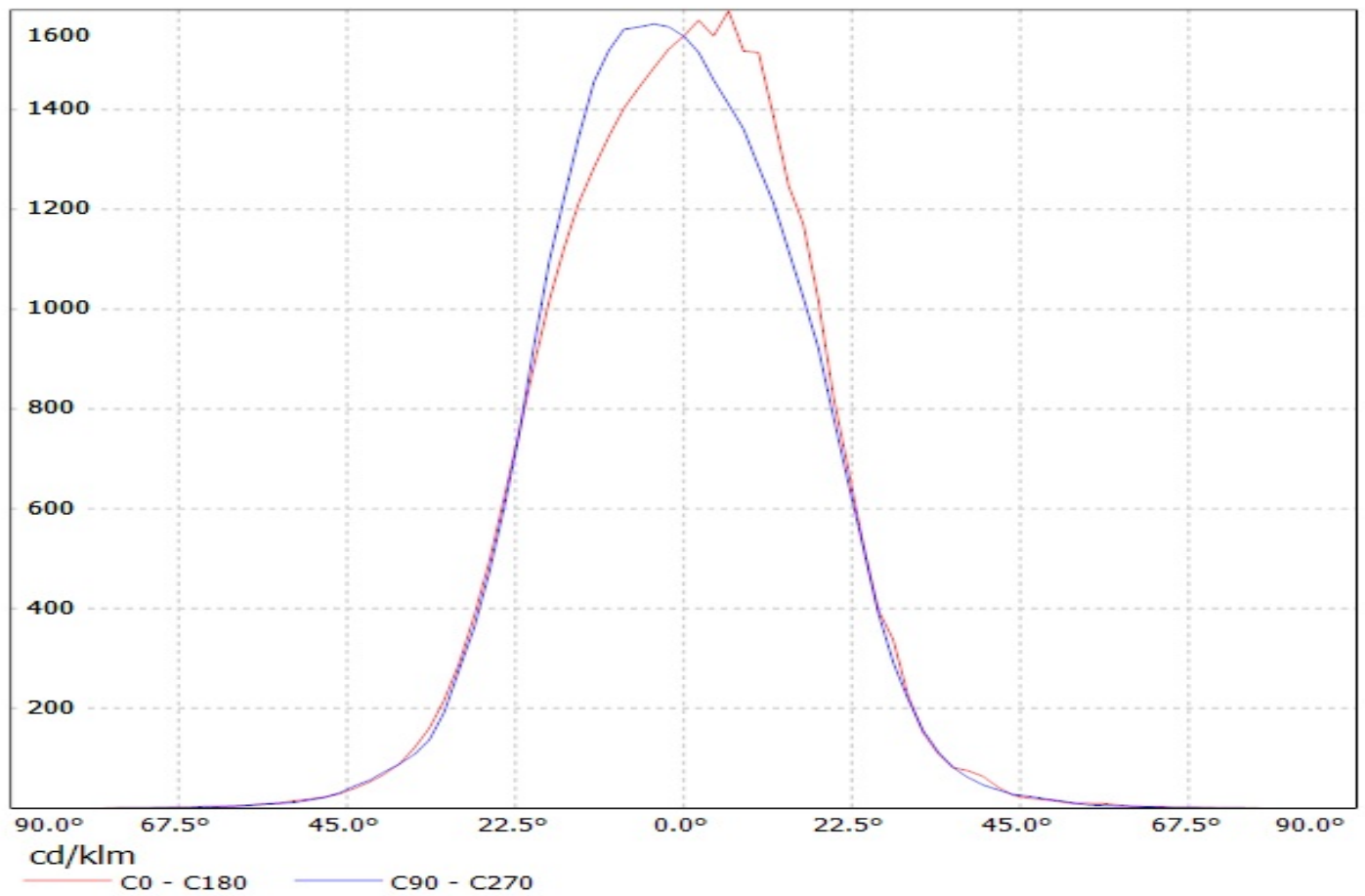
Luminaire: Ledil Oy CA12816_LXP2-RS2_(XT-E) Efficiency=92%
Lamps: 1 x Cree XT-E (AWT) 250mA 113lm



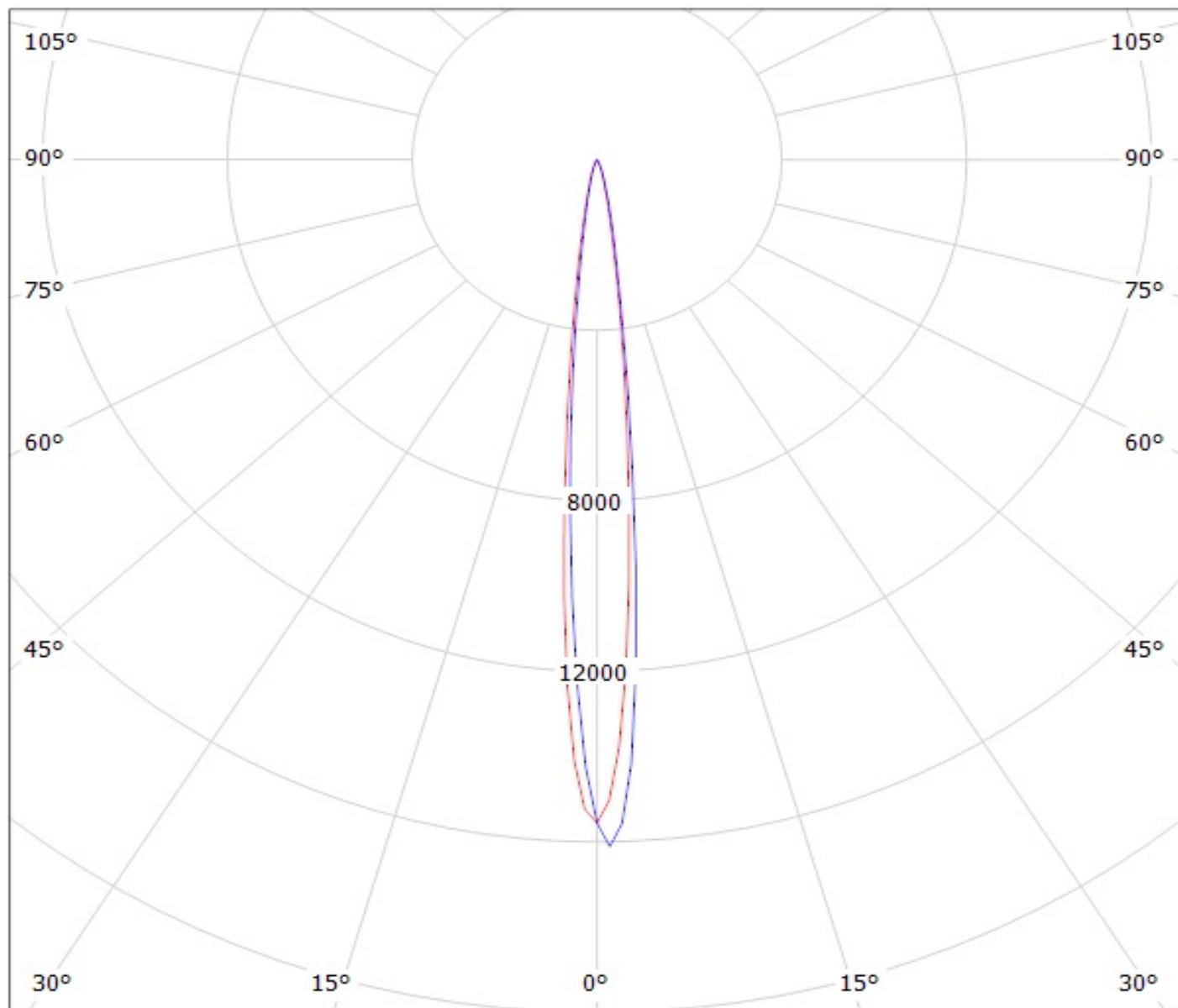
Luminaire: Ledil Oy CA11484-LXP2-O-90-XT-E (Cree XT-E (AWT)) LOR=84%
Lamps: 1 x Cree XT-E (AWT)



Luminaire: Ledil Oy CA12392_LXP2-W-XT-E (CA12392_LXP2-W-XT-E (AWT))
Lamps: 1 x XT-E 113lm @ 250mA



Luminaire: Ledil Oy CA12816_LXP2-RS2_(XT-E) Efficiency=92%
Lamps: 1 x Cree XT-E (AWT) 250mA 113lm

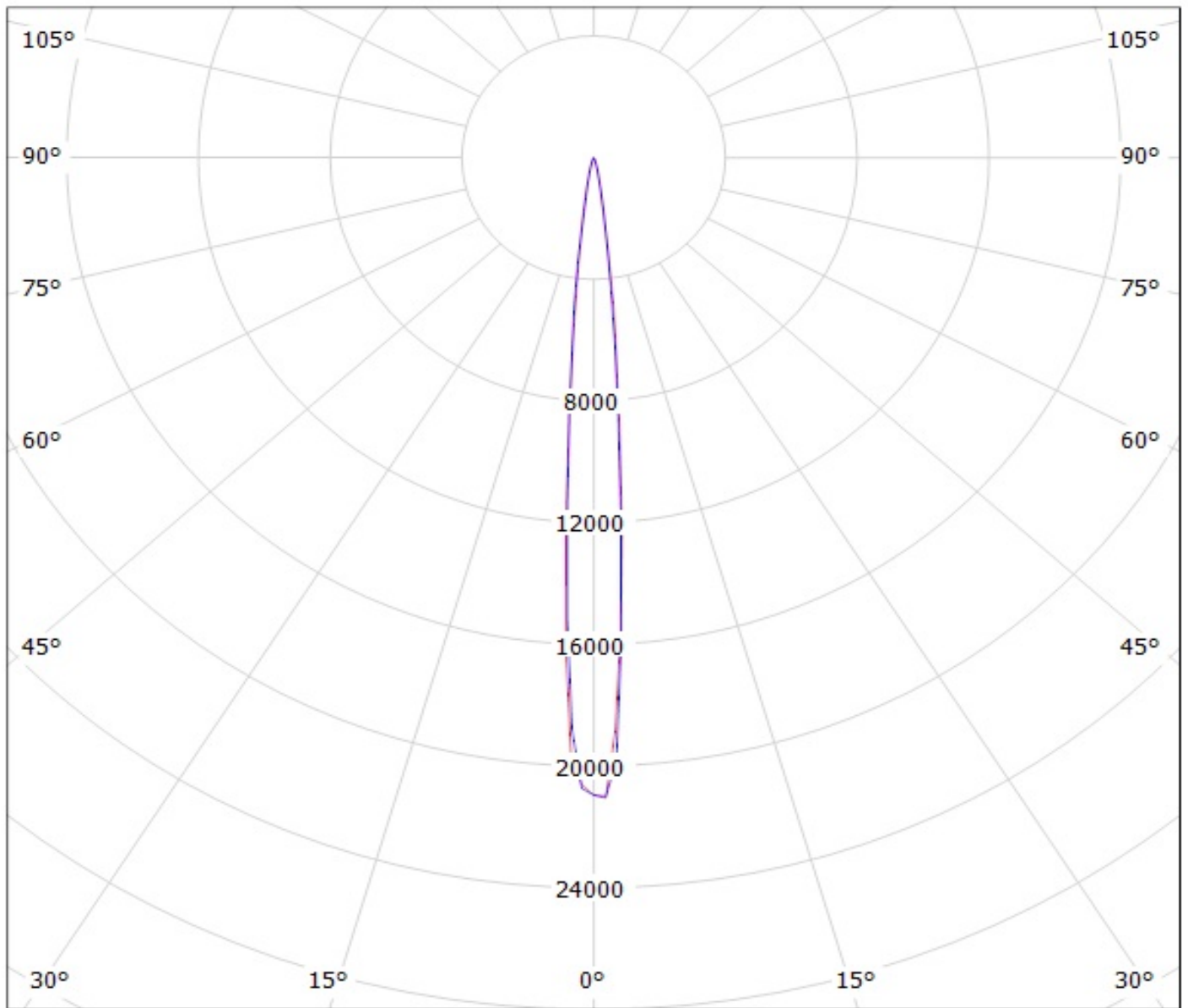


cd/klm

— C0 - C180

— C90 - C270

Luminaire: Ledil Oy CA12584_LXB2-RS2 Efficiency=85%
Lamps: 1 x Cree XB-D warm (84lm @ 250mA)

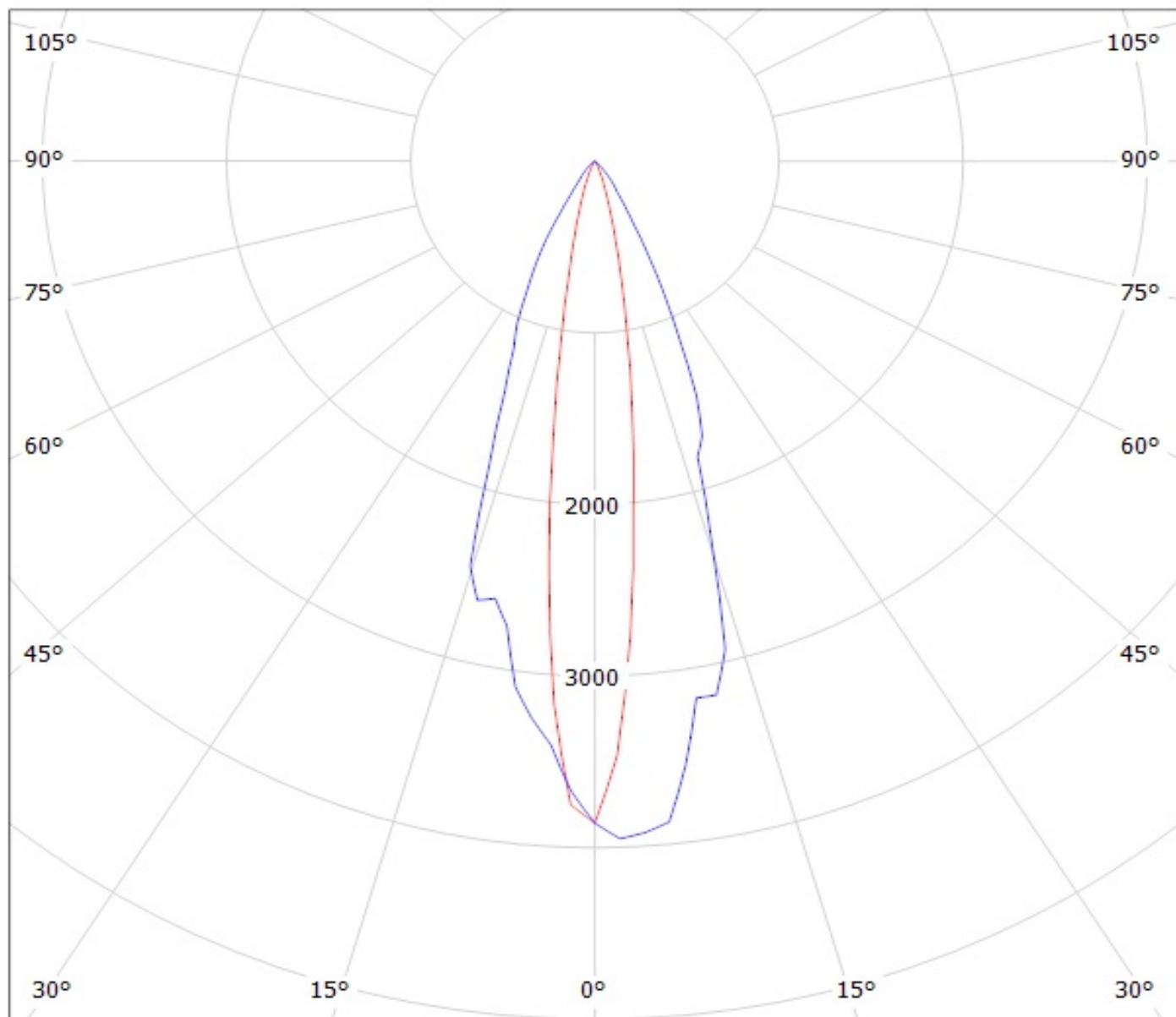


cd/klm

— C0 - C180 — C90 - C270

Luminaire: Ledil Oy CA11484-LXP2-O-90-XT-E (Cree XT-E (AWT)) LOR=84%

Lamps: 1 x Cree XT-E (AWT)

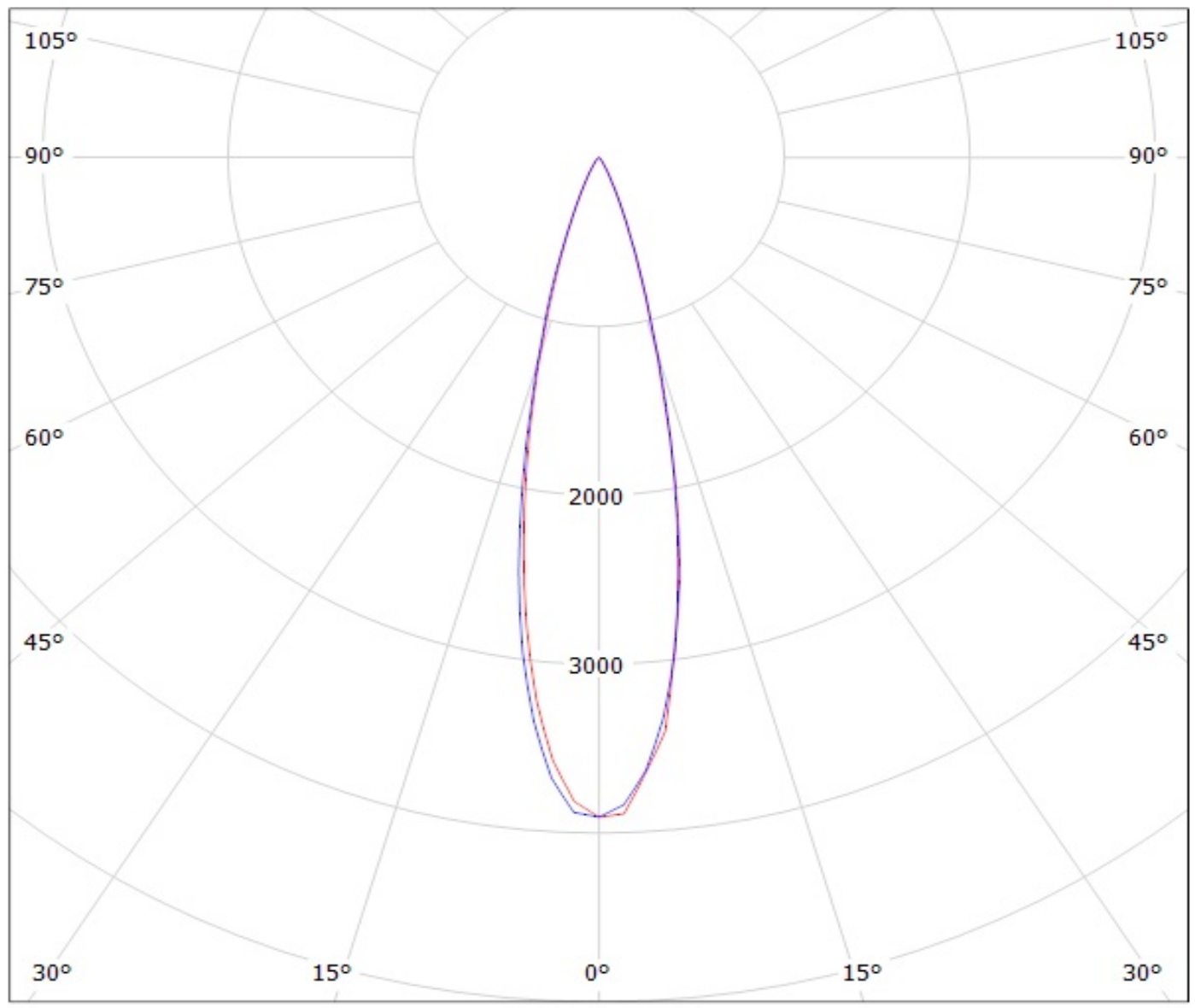


cd/klm

— C0 - C180

— C90 - C270

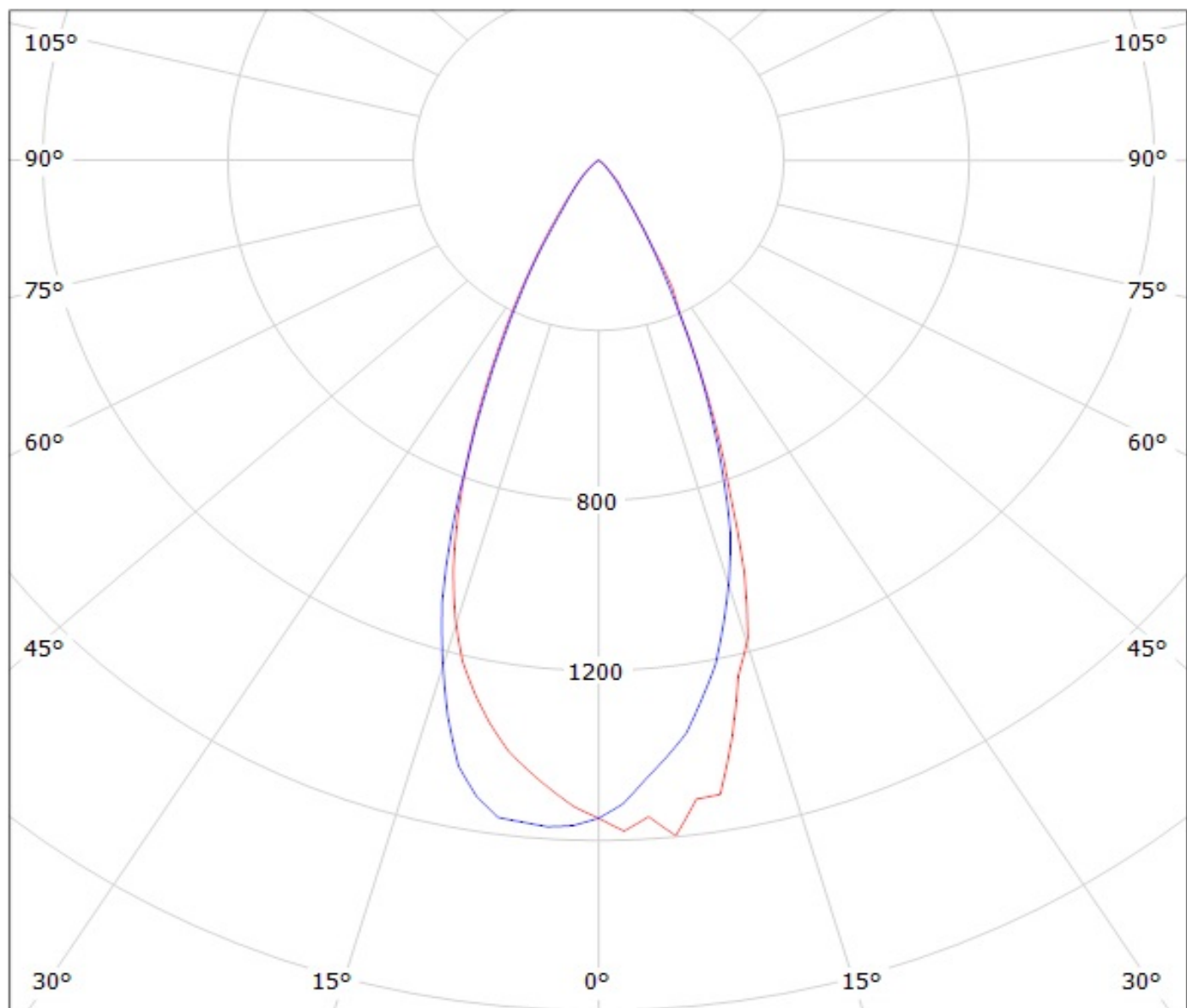
Luminaire: Ledil Oy CA11483_LXP2-M-XT-E (Cree (AWT) XT-E 113lm @ 250mA)
Lamps: 1 x Cree XT-E 113lm @ 250mA



cd/klm
— C0 - C180 — C90 - C270

Luminaire: Ledil Oy CA12392_LXP2-W-XT-E (CA12392_LXP2-W-XT-E (AWT))

Lamps: 1 x XT-E 113lm @ 250mA



cd/klm

— C0 - C180

— C90 - C270