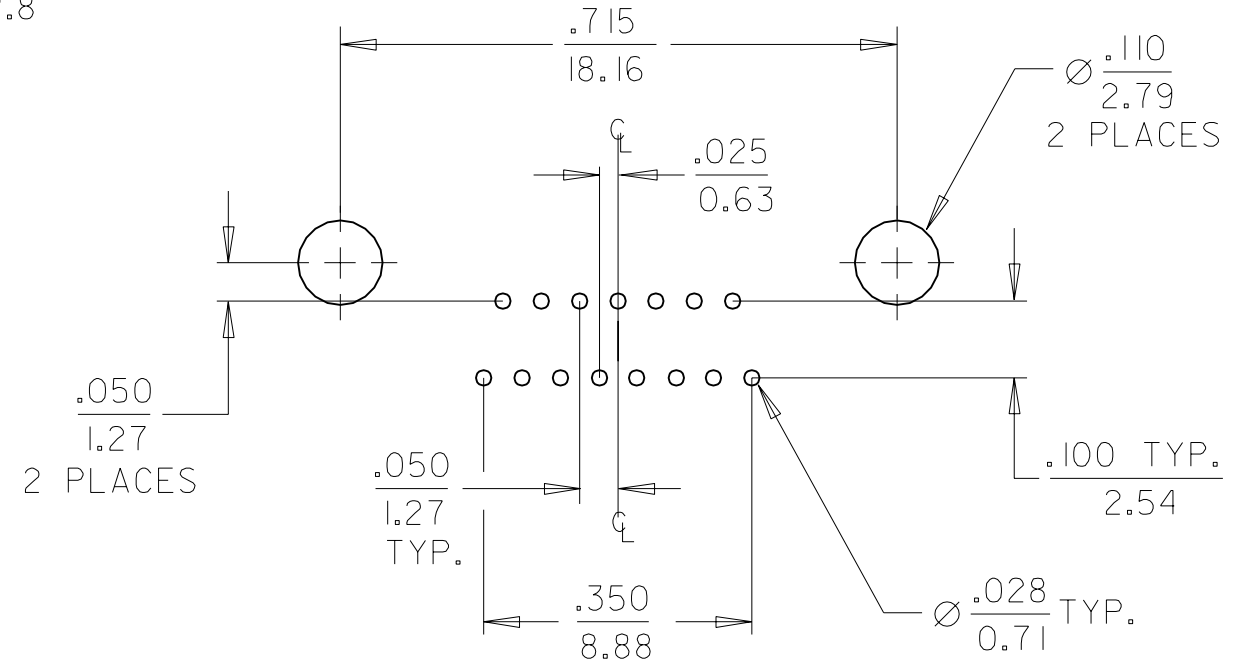
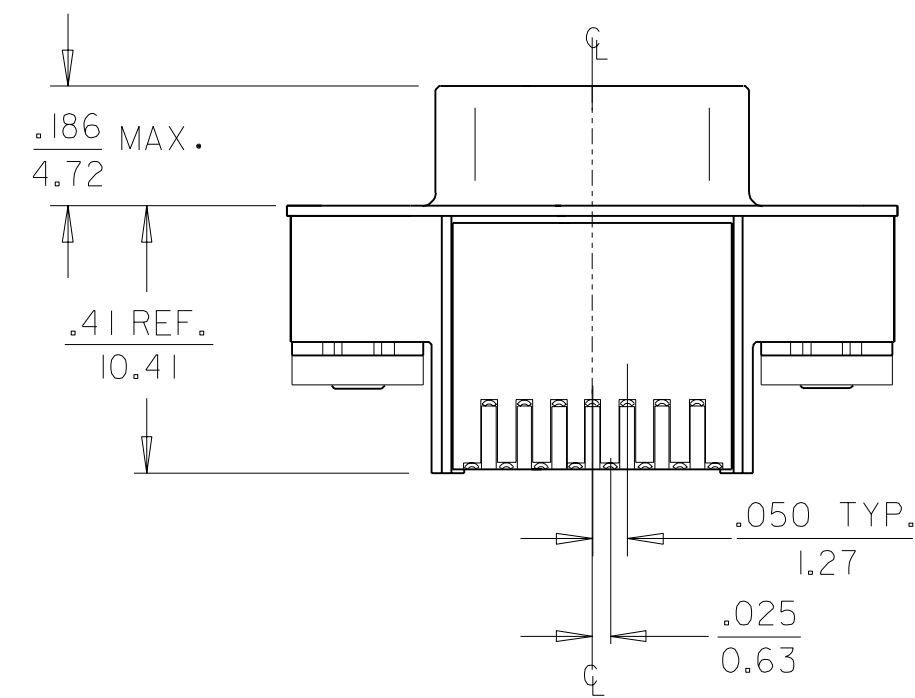
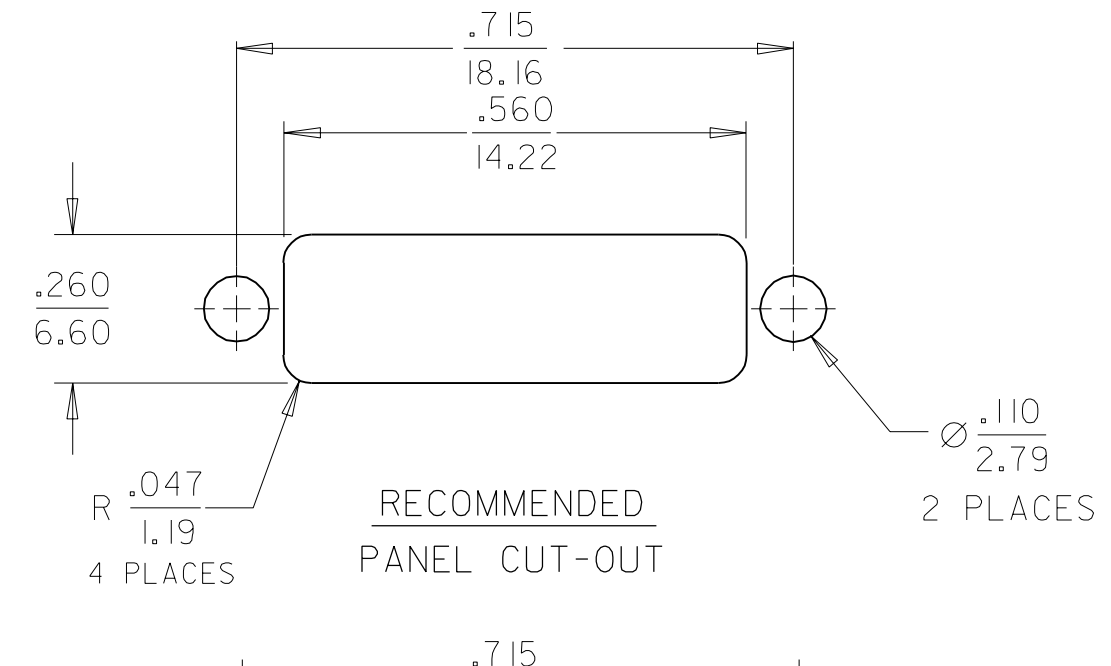
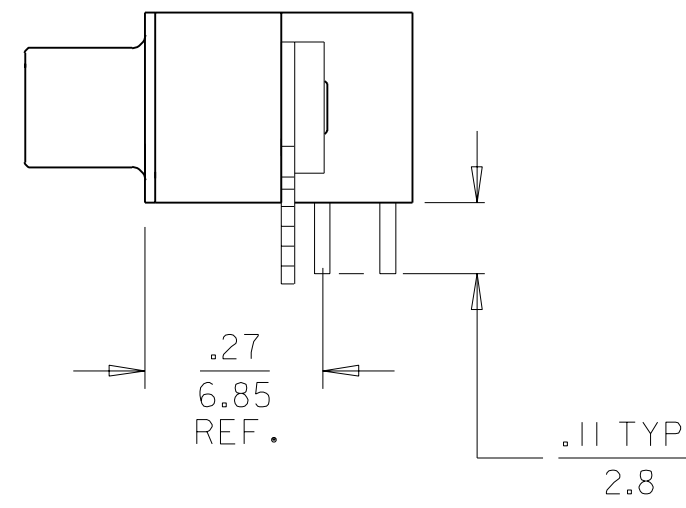
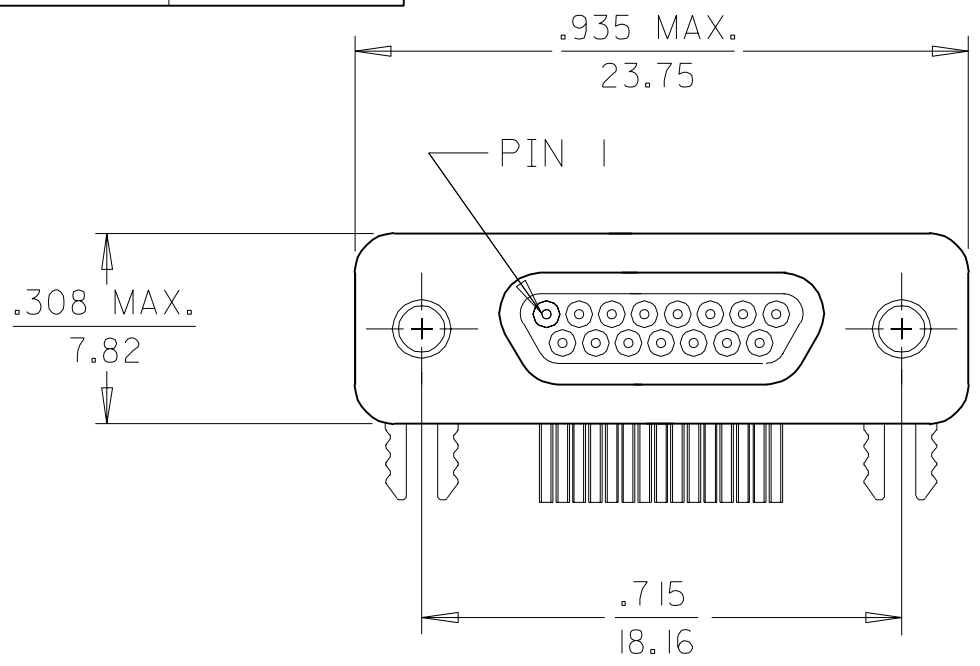


MATERIAL NO.	ENG. NO.
836129203	83612-9203



SALES DRAWING

EC NO. ECT2004-0096 DRWN: JAL 03/11/04 CHK: JPP 03/11/05 APPR: RWD 03/11/06	QUALITY SYMBOLS	GENERAL TOLERANCES: (UNLESS SPECIFIED)		SCALE NONE	DESIGN UNITS <input type="checkbox"/> mm <input checked="" type="checkbox"/> INCH	THIRD ANGLE PROJECTION <input checked="" type="checkbox"/> mm <input type="checkbox"/> INCH	SHT	REV	
	MAJOR	mm	INCH	DRAWN BY & DATE JAL 03/11/04		TITLE: CONNECTOR, COMMERCIAL-D, PLUG RIGHT ANGLE, W/O JACKPOST SIZE I5			
	CRITICAL	4 PLACES ±0.----- ±.-----	3 PLACES ±0.--- ±.010	2 PLACES ±0.26 ±.020	1 PLACE ±0.50 ±.---	CHECKED BY & DATE JJP 03/11/05		REVISE ON CAD ONLY	
	DESCRIPTION	ANGULAR: ± 1°		APPROVED BY & DATE RWD 03/11/06		MATERIAL NO. (SEE CHART) DRAWING NO. SD-83612-011 SHEET NO. 1 OF 1			
REV	DRAFT WHERE APPLICABLE MUST REMAIN WITHIN DIMENSIONS		CAD FILENAME SD83612011.DGN			MATERIAL NO. (SEE CHART) DRAWING NO. SD-83612-011 SHEET NO. 1 OF 1			
RELEASED		THIS DRAWING CONTAINS INFORMATION THAT IS PROPRIETARY TO MOLEX INCORPORATED AND SHOULD NOT BE USED WITHOUT WRITTEN PERMISSION.			MATERIAL NO. (SEE CHART) DRAWING NO. SD-83612-011 SHEET NO. 1 OF 1			SIZE B	

2. MARKING: NONE.
 1. REFER TO PS-83421-9000 FOR PRODUCT SPECIFICATION.
 NOTES: UNLESS OTHERWISE SPECIFIED.