

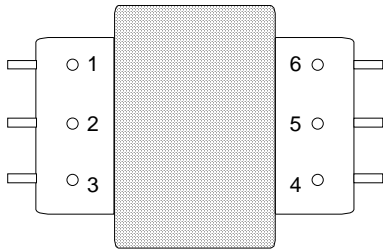
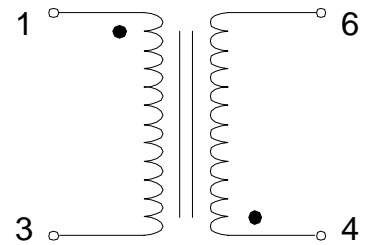
Electrical Specifications at 25°C

Parameter			Units
Impedance	PRI.	600	Ω
RLoad	SEC.	530	Ω
Turns Ratio		1:1	
Direct Current in Pri. (DCI) maximum	0	mA	
DC Resistance	PRI. $\pm 10\%$	38	Ω
	SEC. $\pm 10\%$	48	Ω
Insertion Loss	@ 1 kHz	0.85	dB
Return Loss	Min., 300 Hz - 3 kHz	25	dB
Longitudinal Balance	Min., 200 Hz to 1 kHz	70	dB
Frequency Response	300 Hz to 3 kHz	± 0.2	dB
Single Harmonic Distortions	typ.	-71	dB
Isolation	minimum	1500	V_{RMS}

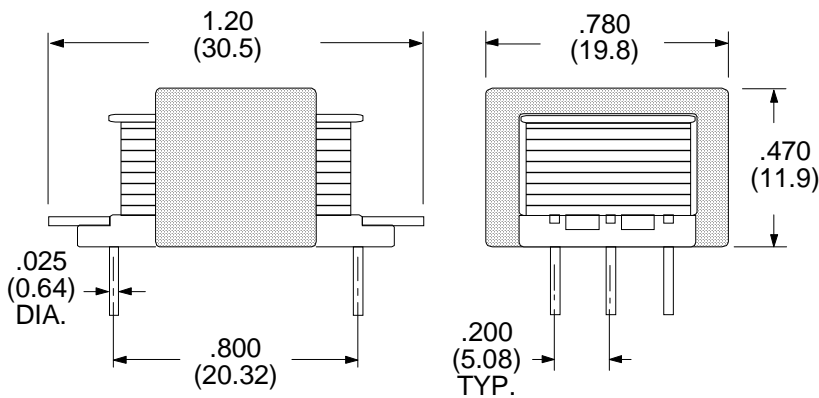
Modem Coupling Transformer

(Compatible with V.32 Applications)

Schematic Diagram



Physical Dimensions
inches (mm)



Unused Pin #2 Omitted

RHOMBUS P/N: T-31100	
CUST P/N:	NAME:
DATE: 11/3/00	SHEET: 1 of 1