



20 MHz to 500 MHz IF Gain Block

ADL5534

Preliminary Technical Data

FEATURES

- Fixed gain of 20 dB
- Operation up to 500 MHz
- +41.8 dBm OIP3 at 70 MHz
- Noise Figure 2.5 dB at 70 MHz
- Temperature and power supply stable
- Power supply: 5 V
- Power supply current: 90 mA per amplifier
- 1000 V ESD (Class 1C)

FUNCTIONAL BLOCK DIAGRAM

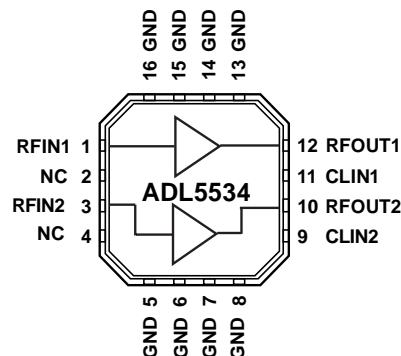


Figure 1. Block Diagram

GENERAL DESCRIPTION

The ADL5534 contains two broadband, fixed-gain, linear amplifiers in an 4x4 mm LFCSP package and operates at frequencies up to 500 MHz. The device can be used in a wide variety of wired and wireless devices including cellular, GSM and WCDMA, and broadband applications.

The ADL5534 has a fixed gain 20 dB and is stable over frequency, temperature, power supply and from device to device. It achieves an OIP3 of 41.8 dBm with an output compression point of +20.2 dBm and a noise figure of 2.5 dB. The ADL5534 is single-ended and internally matched to 50 Ω with an input return loss of 10 dB. Only input/output ac-

coupling capacitors, a power supply decoupling capacitor and external inductor are required for operation.

This IF amplifier operates with supply voltage of +5V, consuming 90 mA of supply current per amplifier.

Fabricated on a GaAs HBT process and has an ESD rating of 1000 V (Class 1C). The device is packaged in a 4mm x 4mm LFCSP that uses an exposed paddle for excellent thermal impedance and operates from -40°C to $+85^{\circ}\text{C}$. A fully populated evaluation board is available.

Rev. PrD 5/07

Information furnished by Analog Devices is believed to be accurate and reliable. However, no responsibility is assumed by Analog Devices for its use, nor for any infringements of patents or other rights of third parties that may result from its use. Specifications subject to change without notice. No license is granted by implication or otherwise under any patent or patent rights of Analog Devices. Trademarks and registered trademarks are the property of their respective owners.

TABLE OF CONTENTS

Features	1	ESD Caution.....	4
Functional Block Diagram	1	Pin Configuration and Function Descriptions.....	5
General Description	1	Typical Performance Characteristics	6
Revision History	2	EVALUATION BOARD	7
Specifications.....	3	OUTLINE DIMENSIONS	9
Absolute Maximum Ratings.....	4	ORDERING GUIDE.....	9

REVISION HISTORY

5/07—Rev. PrD: Preliminary Version

SPECIFICATIONS

V_{CC} = 5 V, T = 25°C, unless otherwise noted.

Table 1.

Parameter	Conditions	Min	Typ	Max	Unit
OVERALL FUNCTION					
Frequency Range		20		500	MHz
Gain vs. Frequency	± 50 MHz. Center Frequency = 190 MHz or 380 MHz		±0.15		dB
Input Return Loss (S11)	30 MHz to 500 MHz		-10		dB
Output Return Loss (S22)	30 MHz to 500 MHz		-10		dB
Isolation (RFIN1 to RFOUT2 and RFIN2 to RFOUT1)	Frequency = 200 MHz		-29.8		dB
Isolation (RFIN1 to RFOUT2 and RFIN2 to RFOUT1)	Frequency = 500 MHz		-22.5		dB
FREQUENCY = 70 MHz					
Gain vs. Temperature	-40°C ≤ T _A ≤ +85°C		19.8		dB
Output 1 dB Compression Point			±.25		dB
Output Third-Order Intercept	Δf = 1 MHz, Output Power (P _{OUT}) = 0 dBm (per tone)		20.0		dBm
Noise Figure			41.8		dBm
			2.5		dB
FREQUENCY = 190 MHz					
Gain vs. Temperature	-40°C ≤ T _A ≤ +85°C		19.4		dB
Output 1 dB Compression Point			±.25		dB
Output Third-Order Intercept	Δf = 1 MHz, Output Power (P _{OUT}) = 0 dBm (per tone)		20.2		dBm
Noise Figure			40.1		dBm
			2.7		dB
FREQUENCY = 380 MHz					
Gain vs. Temperature	-40°C ≤ T _A ≤ +85°C		18.8		dB
Output 1 dB Compression Point			±.25		dB
Output Third-Order Intercept	Δf = 1 MHz, Output Power (P _{OUT}) = 0 dBm (per tone)		20.1		dBm
Noise Figure			37.0		dBm
			2.9		dB
POWER INTERFACE					
Supply Voltage	Pins RFOUT, V _{CC}	4.75	5	5.25	V
Supply Current vs. Temperature	Current Consumption is Specified Per Amplifier -40°C ≤ T _A ≤ +85°C (Specified Per Amplifier)		90		mA
Power Dissipation	VPOS = 5V (Specified Per Amplifier)		104		mA
			450		mW

ABSOLUTE MAXIMUM RATINGS

Table 2.

Parameter	Rating
Supply Voltage, VPOS	5.5 V
Input Power Per Amplifier(re: 50 Ω)	+12 dBm
Internal Power Dissipation Per Amplifier (Paddle Soldered)	650 mW
θ_{JA} (Paddle Soldered)	TBD $^{\circ}\text{C}/\text{W}$
Maximum Junction Temperature	150 $^{\circ}\text{C}$
Operating Temperature Range	-40 $^{\circ}\text{C}$ to +85 $^{\circ}\text{C}$
Storage Temperature Range (Soldering 60 sec)	-65 $^{\circ}\text{C}$ to +150 $^{\circ}\text{C}$ 240 $^{\circ}\text{C}$

Stresses above those listed under Absolute Maximum Ratings may cause permanent damage to the device. This is a stress rating only; functional operation of the device at these or any other conditions above those indicated in the operational section of this specification is not implied. Exposure to absolute maximum rating conditions for extended periods may affect device reliability.

ESD CAUTION



ESD (electrostatic discharge) sensitive device. Charged devices and circuit boards can discharge without detection. Although this product features patented or proprietary protection circuitry, damage may occur on devices subjected to high energy ESD. Therefore, proper ESD precautions should be taken to avoid performance degradation or loss of functionality.

PIN CONFIGURATION AND FUNCTION DESCRIPTIONS

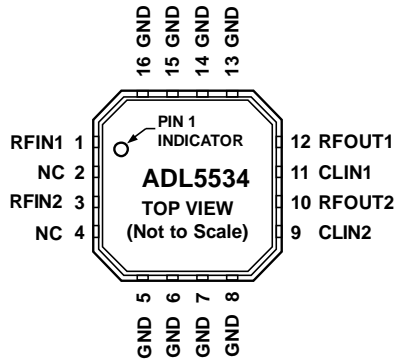


Figure 2.

Table 3. Pin Function Descriptions

Pin No.	Mnemonic	Description
1, 3	RFIN1, RFIN2	RF Input: Requires a DC blocking capacitor. Use a 10 nF capacitor for normal operation.
10, 12	RFOUT1, RFOUT2	RF Output and Bias: DC bias is provided to this pin through an inductor. A 470 nH inductor is recommended for normal operation. RF path requires a DC blocking capacitor. Use a 10 nF capacitor for normal operation.
5, 6, 7, 8, 13, 14, 15, 16	GND	Ground. Connect this pin to a low impedance ground plane.
2, 4	NC	No Connect.
9, 11	CLIN1, CLIN2	A 1 nF capacitor connected between 9 and ground an Pin11 and ground provides decoupling for the on board linearizer.
	Exposed Paddle	Internally connected to GND. Solder to a low impedance ground plane

TYPICAL PERFORMANCE CHARACTERISTICS

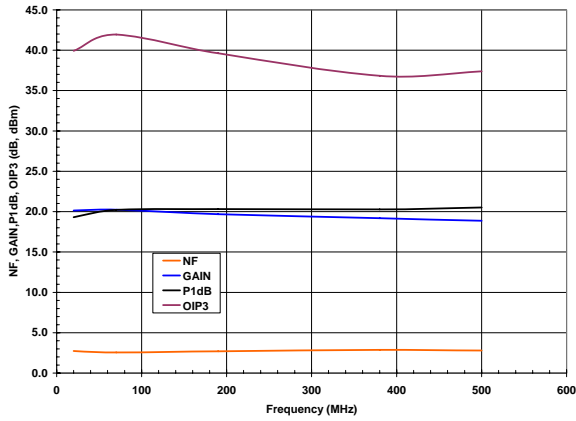


Figure 3 ADL5534 Gain, Noise Figure, OIP3 and P1dB vs Frequency

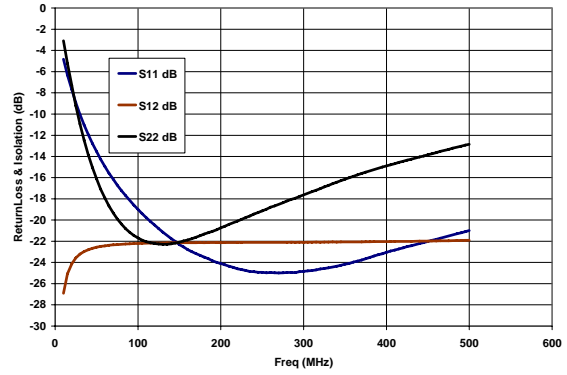


Figure 5 ADL5534 Input / Output Return Loss and Reverse Isolation vs Frequency

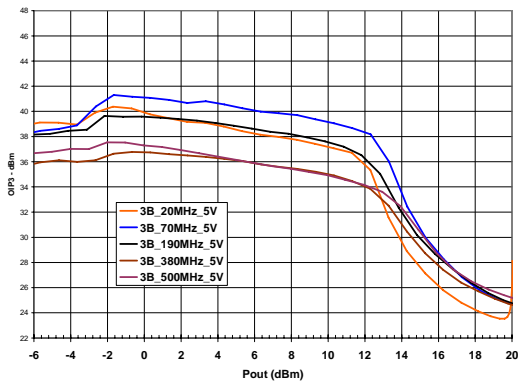


Figure 4 ADL5534 OIP3 vs Pout and Frequency

EVALUATION BOARD

Figure 6 shows the schematic for the ADL5531 evaluation board. The board is powered by a single 5 V supply. The components used on the board are listed in Table 4. Applying 5V to Vpos will bias the amplifier corresponding to RFIN1 - RFOUT2. Applying 5 V to Vpos1 will bias the amplifier

corresponding to RFIN2 – RFOUT2. To bias both amplifiers from a single supply, connect 5V to Vpos or Vpos1 and attach a jumper across W3

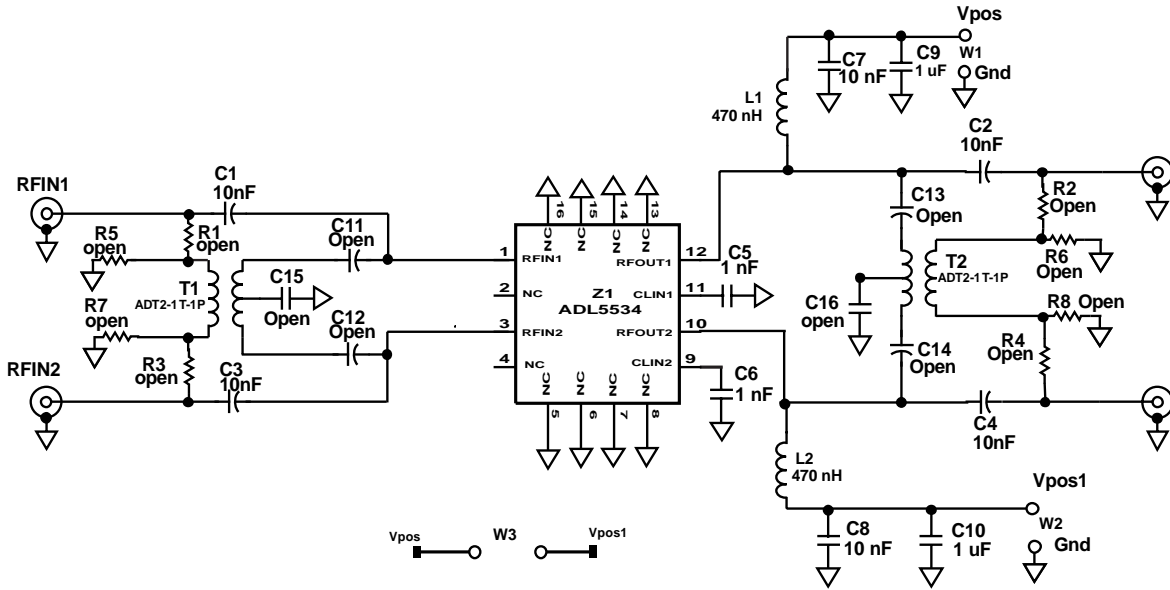


Figure 6. Evaluation Board Schematic

Table 4. Evaluation Board Configuration Options

Component	Function	Default Value
C1, C2, C3, C4	AC-coupling capacitors.	10 nF 0402
C5, C6	Provides decoupling for the on board linearizer.	1 nF 0603
R1, R2, R3, R4, R5, R6, R7 R8	Optional components used for Configuring ADL5534 as a balanced amplifier.	Open 0603
T1, T2	T1 and T2 are 50 Ω to 100 Ω impedance transformers used to configure the ADL5534 as a balanced amplifier. T1 and T2 are used to present a 100 Ω differential impedance to the ADL5534.	MiniCircuits ADT2-1T-1P Open
C11, C12, C13, C14, C15, C16	Optional components used for Configuring ADL5534 as a balanced amplifier.	C11-C14: Open 0402 C15, C16: Open 0402
C9, C10	Power Supply decoupling capacitors capacitor.	1 uF 0603
C7, C8	Power Supply decoupling capacitors capacitor.	10 nF 0603
L1, L2	DC bias inductor.	470 nH 1008CS
VCC & GND	Clip-on terminals for power supply.	VCC Red GND Black
W1, W2	2-pin jumper for connection of ground and supply via cable.	
W3	2-pin jumper use to connect Vpos to Vpos1	Open

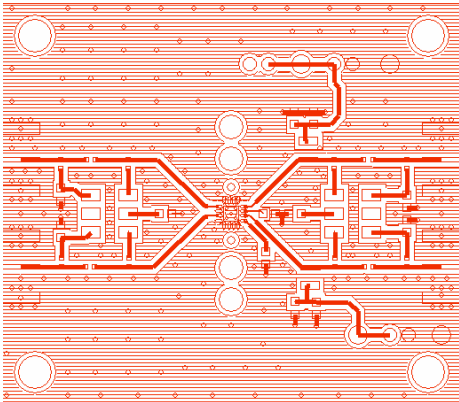


Figure 7. Evaluation Board Layout (Top)

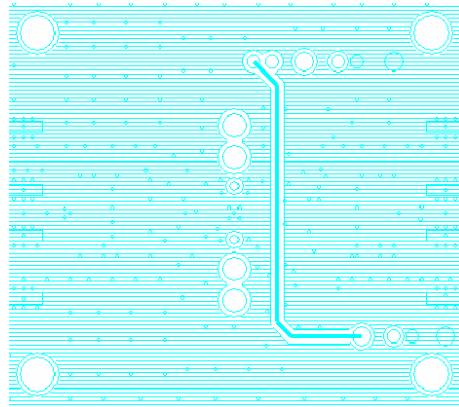
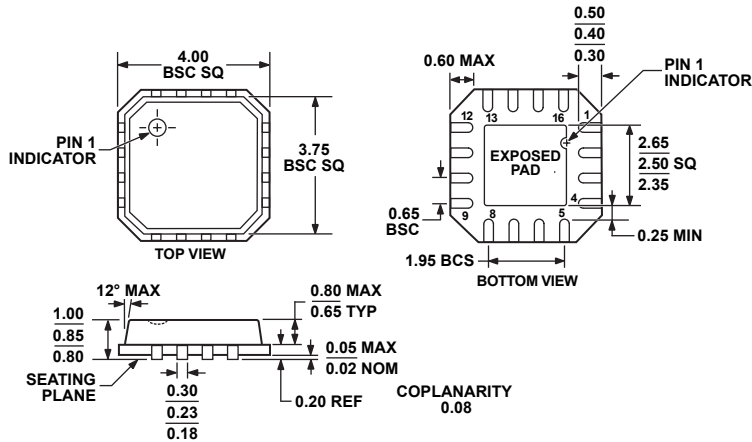


Figure 8. Evaluation Board Layout (Bottom)

OUTLINE DIMENSIONS



COMPLIANT TO JEDEC STANDARDS MO-220-VGGC.

Figure 9. 16-Lead Lead Frame Chip Scale Package [LFCSP_VQ]
 4mm × 4mm Body, Very Thin, Quad Lead
 CP-16-13
 Dimensions shown in millimeters

031006-A

ORDERING GUIDE

Model	Temperature Range	Package Description	Package Option	Branding	Ordering Quantity
ADL5534ACPZ-R7 ¹	-40°C to +85°C	8-Lead LFCSP Tape and Reel	CP-16-13		
ADL5534ACPZ-WP ¹	-40°C to +85°C	8-Lead LFCSP Waffle Pack	CP-16-13		
ADL5534-EVALZ		Evaluation Board			

¹ Z = Pb-free part.