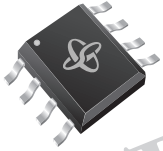


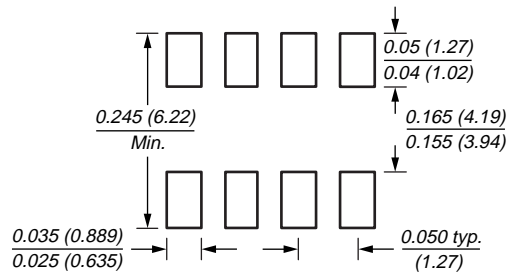
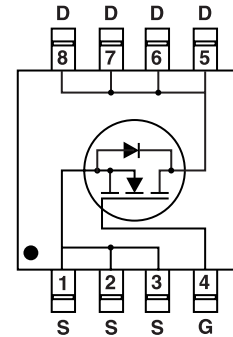
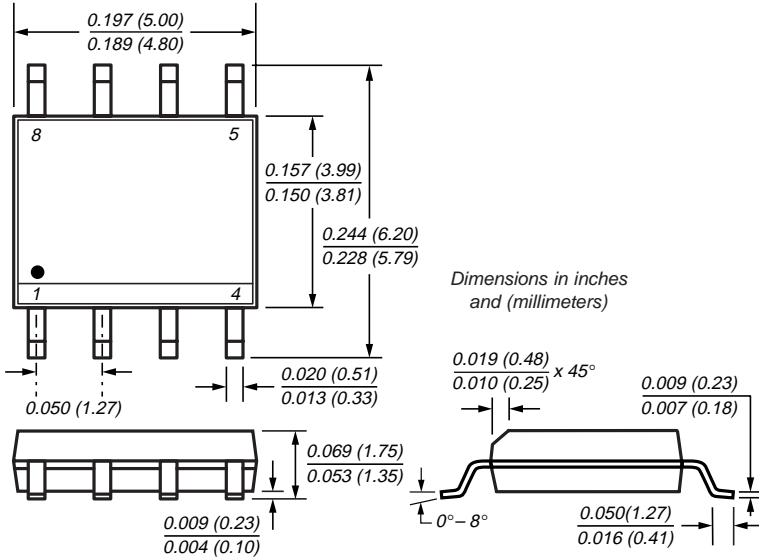
**N-Channel Enhancement-Mode MOSFET**

$V_{DS}$  30V  $R_{DS(ON)}$  13.5mΩ  $I_D$  10A



**TRENCH GENFET®**

**SO-8**



**Mechanical Data**

**Case:** SO-8 molded plastic body  
**Terminals:** Leads solderable per MIL-STD-750, Method 2026  
**High temperature soldering guaranteed:** 250°C/10 seconds at terminals  
**Mounting Position:** Any **Weight:** 0.5g

**Features**

- Advanced Trench Process Technology
- High Density Cell Design for Ultra Low On-Resistance
- Specially Designed for Low Voltage DC/DC Converters
- Fast Switching for High Efficiency

**Maximum Ratings and Thermal Characteristics** ( $T_A = 25^\circ\text{C}$  unless otherwise noted)

Parameter	Symbol	Limit	Unit
Drain-Source Voltage	$V_{DS}$	30	V
Gate-Source Voltage	$V_{GS}$	$\pm 20$	
Continuous Drain Current $T_J = 150^\circ\text{C}^{(1)}$	$I_D$	10	A
$T_A = 25^\circ\text{C}$ $T_A = 70^\circ\text{C}$		8	
Pulsed Drain Current	$I_{DM}$	50	
Continuous Source Current (Diode Conduction) <sup>(1)</sup>	$I_S$	2.3	
Maximum Power Dissipation	$P_D$	2.5	W
$T_A = 25^\circ\text{C}$ $T_A = 70^\circ\text{C}$		1.6	
Operating Junction and Storage Temperature Range	$T_J, T_{stg}$	-55 to 150	$^\circ\text{C}$
Maximum Junction-to-Ambient Thermal Resistance <sup>(1)</sup>	$R_{\theta JA}$	50	$^\circ\text{C}/\text{W}$

Notes: (1) Surface Mounted on FR4 Board,  $t \leq 10$  sec.

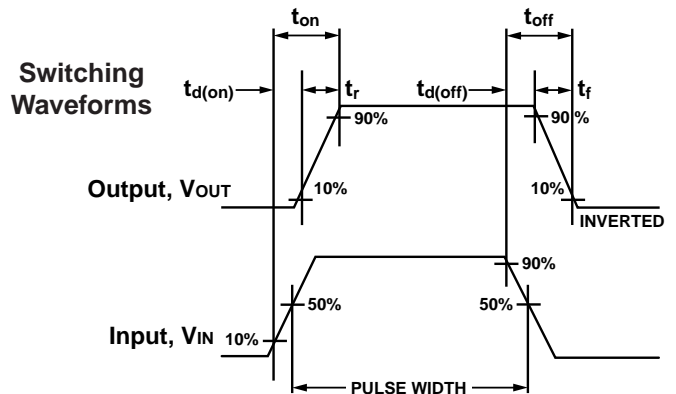
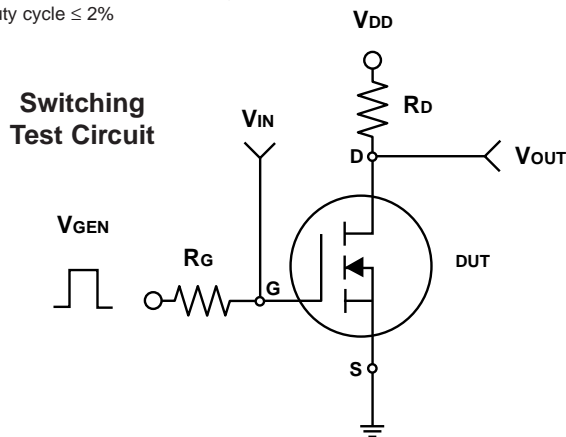
N-Channel Enhancement-Mode MOSFET

Electrical Characteristics (T<sub>J</sub> = 25°C unless otherwise noted)

Parameter	Symbol	Test Condition	Min	Typ	Max	Unit
<b>Static</b>						
Gate Threshold Voltage	V <sub>GS(th)</sub>	V <sub>DS</sub> = V <sub>GS</sub> , I <sub>D</sub> = 250μA	1.0	–	–	V
Gate-Body Leakage	I <sub>GSS</sub>	V <sub>DS</sub> = 0V, V <sub>GS</sub> = ±20V	–	–	±100	nA
Zero Gate Voltage Drain Current	I <sub>DSS</sub>	V <sub>DS</sub> = 30V, V <sub>GS</sub> = 0V	–	–	1	μA
		V <sub>DS</sub> =30V, V <sub>GS</sub> =0V, T <sub>J</sub> =55°C	–	–	25	
On-State Drain Current <sup>(1)</sup>	I <sub>D(on)</sub>	V <sub>DS</sub> ≥ 5V, V <sub>GS</sub> = 10V	20	–	–	A
Drain-Source On-State Resistance <sup>(1)</sup>	R <sub>DS(on)</sub>	V <sub>GS</sub> = 10V, I <sub>D</sub> = 10A	–	8	13.5	mΩ
		V <sub>GS</sub> = 4.5V, I <sub>D</sub> = 5A	–	12	20	
Forward Transconductance <sup>(1)</sup>	g <sub>fs</sub>	V <sub>DS</sub> = 15V, I <sub>D</sub> = 10A	–	38	–	S
<b>Dynamic</b>						
Total Gate Charge	Q <sub>g</sub>	V <sub>DS</sub> = 15V, I <sub>D</sub> = 10A, V <sub>GS</sub> = 5V	–	23	32	nC
			–	42	60	
Gate-Source Charge	Q <sub>gs</sub>	V <sub>DS</sub> = 15V, V <sub>GS</sub> = 10V I <sub>D</sub> = 10A	–	5	–	nC
Gate-Drain Charge	Q <sub>gd</sub>		–	8	–	
Turn-On Delay Time	t <sub>d(on)</sub>	V <sub>DD</sub> = 25V, R <sub>L</sub> = 25Ω I <sub>D</sub> ≈ 1A, V <sub>GEN</sub> = 10V R <sub>G</sub> = 6Ω	–	9	15	ns
Rise Time	t <sub>r</sub>		–	12	20	
Turn-Off Delay Time	t <sub>d(off)</sub>		–	70	100	
Fall Time	t <sub>f</sub>		–	35	80	
Input Capacitance	C <sub>iss</sub>	V <sub>GS</sub> = 0V	–	2100	–	pF
Output Capacitance	C <sub>oss</sub>	V <sub>DS</sub> = 25V	–	320	–	
Reverse Transfer Capacitance	C <sub>rss</sub>	f = 1.0MHz	–	190	–	
<b>Source-Drain Diode</b>						
Diode Forward Voltage <sup>(1)</sup>	V <sub>SD</sub>	I <sub>S</sub> = 2.3A, V <sub>GS</sub> = 0V	–	0.75	1.1	V
Source-Drain Reverse Recovery Time	t <sub>rr</sub>	I <sub>F</sub> = 2.3A, di/dt = 100A/μs	–	55	80	ns

Note:

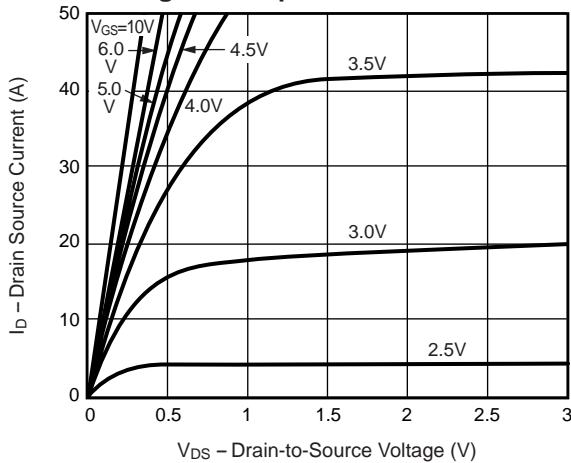
(1) Pulse test; pulse width ≤ 300 μs, duty cycle ≤ 2%



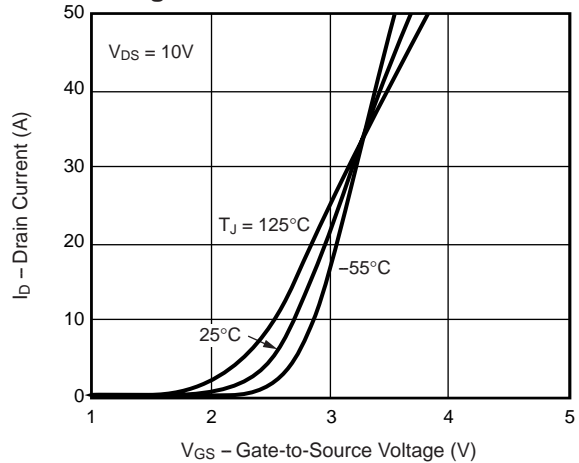
**N-Channel Enhancement-Mode MOSFET**

**Ratings and Characteristic Curves** ( $T_A = 25^\circ\text{C}$  unless otherwise noted)

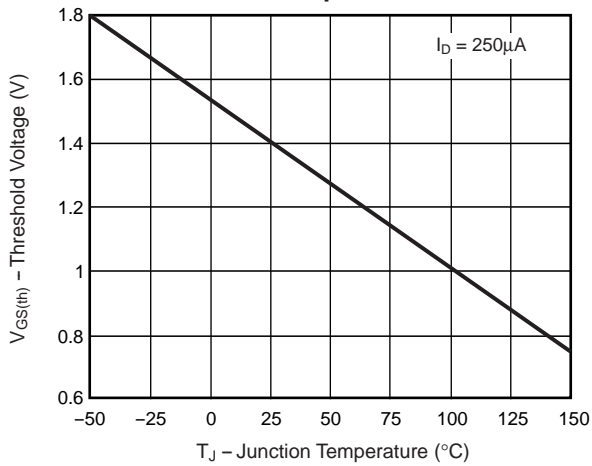
**Fig. 1 – Output Characteristics**



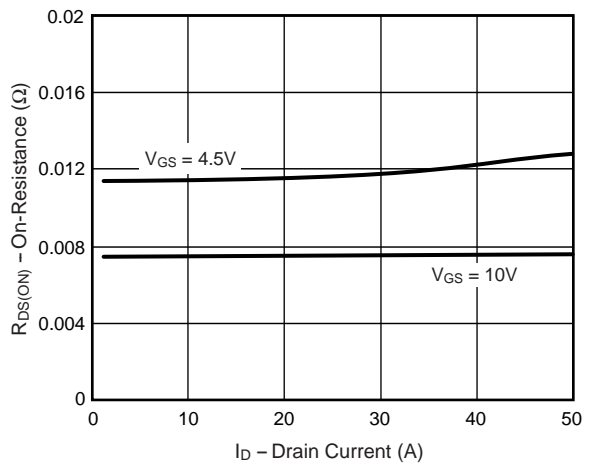
**Fig. 2 – Transfer Characteristics**



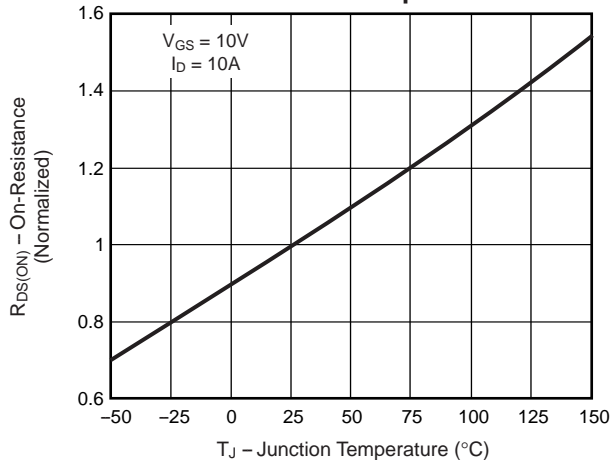
**Fig. 3 – Threshold Voltage vs. Temperature**



**Fig. 4 – On-Resistance vs. Drain Current**



**Fig. 5 – On-Resistance vs. Junction Temperature**



N-Channel Enhancement-Mode MOSFET

Ratings and Characteristic Curves (T<sub>A</sub> = 25°C unless otherwise noted)

Fig. 6 – On-Resistance vs. Gate-to-Source Voltage

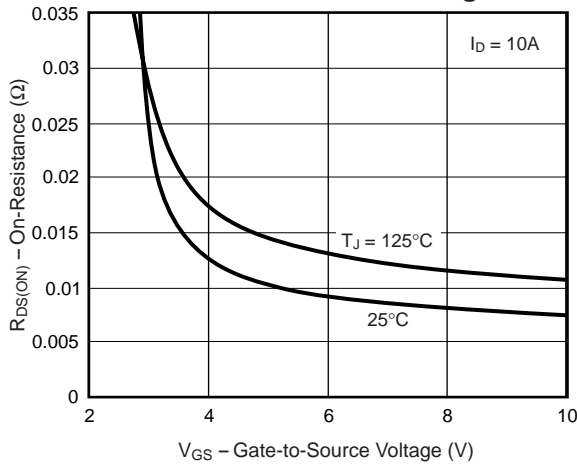


Fig. 7 – Gate Charge

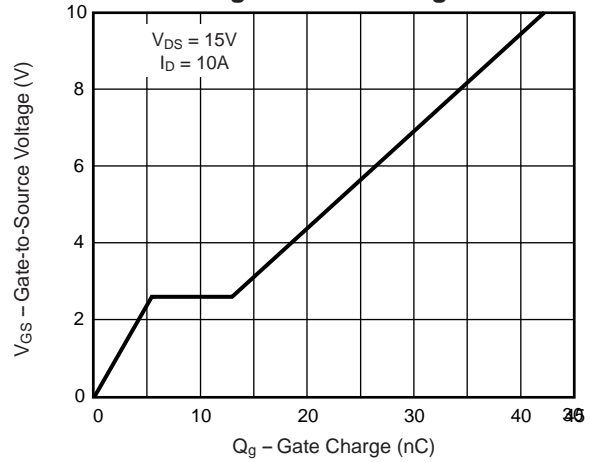


Fig. 8 – Capacitance

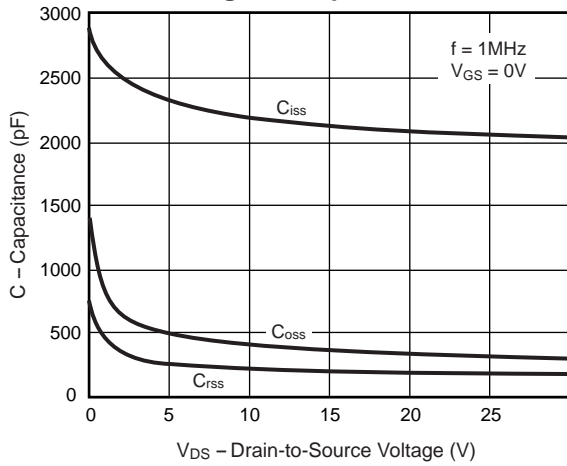
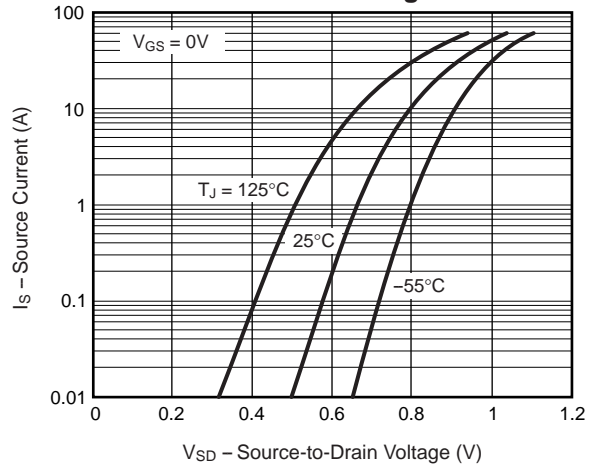


Fig. 9 – Source-Drain Diode Forward Voltage



N-Channel Enhancement-Mode MOSFET

Ratings and Characteristic Curves (T<sub>A</sub> = 25°C unless otherwise noted)

Fig. 10 – Breakdown Voltage vs. Junction Temperature

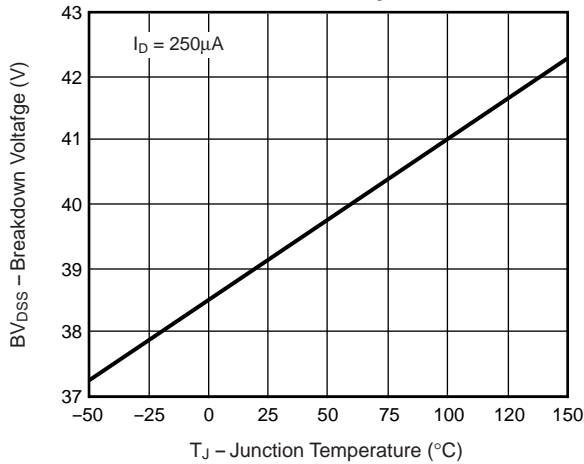


Fig. 11 – Transient Thermal Impedance

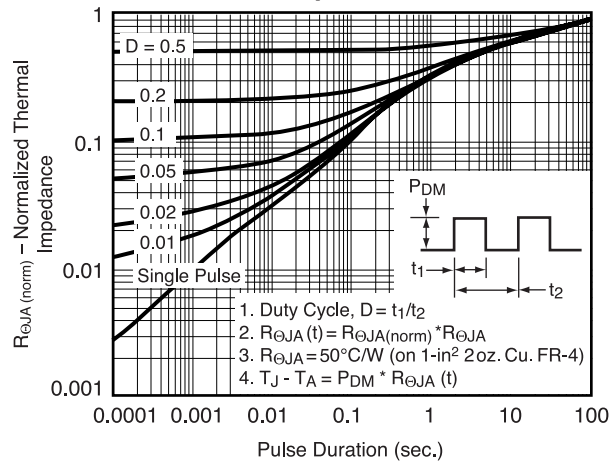


Fig. 12 – Power vs. Pulse Duration

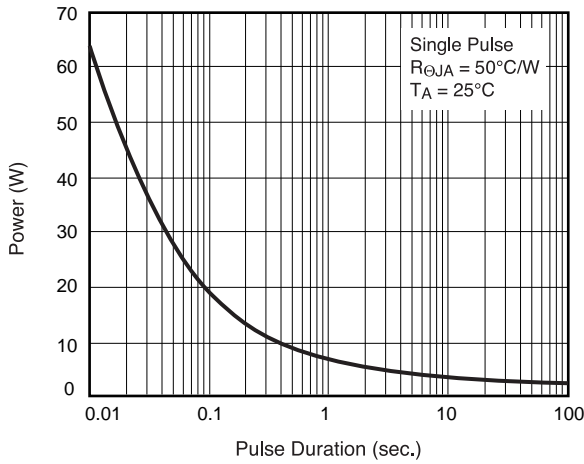


Fig. 13 – Maximum Safe Operating Area

