

MATERIALS AND FINISHES

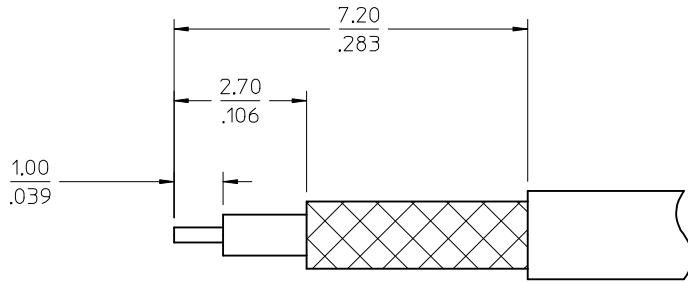
BODY BRASS
PLATED SEE TABLE

CENTER CONTACT BRASS
PLATED GOLD

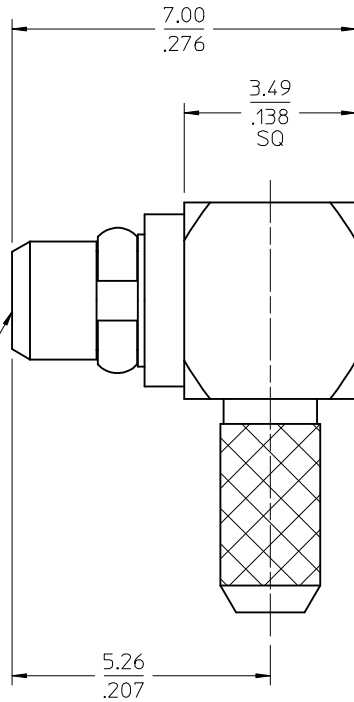
INSULATOR TEFLON

NOTE :
73415-0955 IS FOR ENHANCED PERFORMANCE.

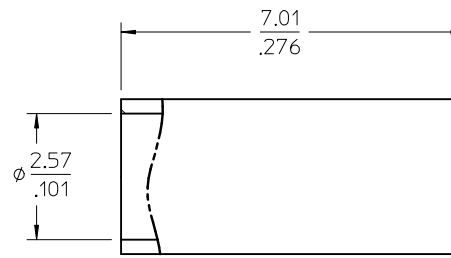
MMCX PLUG
INTERFACE



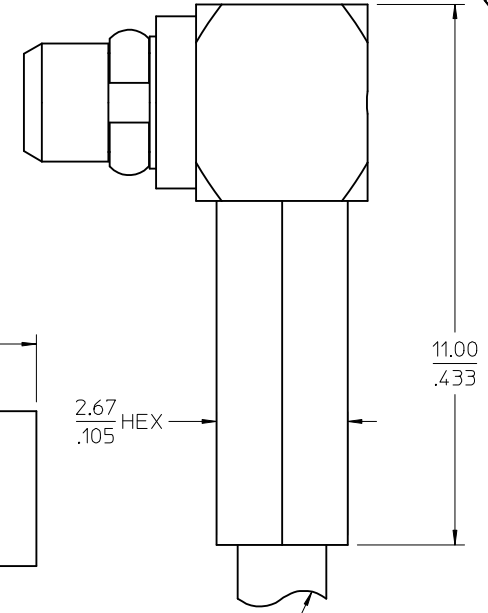
RECOMMENDED STRIP DIMENSIONS



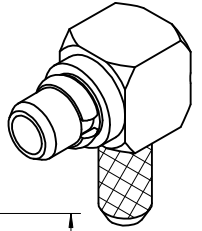
CAP



CRIMP TUBE



RG178 CABLE



ES-73599-0000-015	INTERFACE
PS-89675-1920	ELECTRO/MECH PERFORM.
SPECIFICATION	DESCRIPTION

73415-0955	GOLD OVER NICKEL PER COMMERCIAL REQUIREMENTS	BULK
73415-0954	GOLD OVER NICKEL PER COMMERCIAL REQUIREMENTS	BULK
73415-0953	GOLD OVER NICKEL PER COMMERCIAL REQUIREMENTS	73415-0951, ONE PER BAG
73415-0952	NICKEL	BULK
73415-0951	GOLD OVER NICKEL PER COMMERCIAL REQUIREMENTS	BULK
73415-0950	GOLD OVER NICKEL PER MILITARY REQUIREMENTS	BULK
PART NO.	PLATING	PACKAGING

CHG: PS CHANGE PS-89675-1920 WAS PS-89675-1930	DRWN: YCHENG CHKD: APPR: MHUANG	2012/08/09 2012/08/21	DESCRIPTION
REV	C1		

QUALITY SYMBOLS	= 0 = 0
-----------------	------------

GENERAL TOLERANCES (UNLESS SPECIFIED)

	mm	INCH
4 PLACES	± .005	± .0005
3 PLACES	± .003	± .0003
2 PLACES	± .002	± .0002
1 PLACE	± .001	± .0001

ANGULAR ± 2 °

DRAFT WHERE APPLICABLE MUST REMAIN WITHIN DIMENSIONS

DIMENSION STYLE		SCALE
MM/IN		METRIC
DRAWN BY	DATE	TITLE
EDC	1999/01/27	MMCX PLUG 50 OHMS R/A FOR RG178 CABLE MMCX-P/RG178
CHECKED BY	DATE	
EDC	1999/01/27	
APPROVED BY	DATE	
MHUANG	2010/02/23	
MATERIAL NO.	DOCUMENT NO.	
SEE TABLE	SD-73415-095	

MOLEX INCORPORATED SHEET NO. 1 OF 1
--