

# FC SERIES PULSE INTEGRATOR

DATA SHEET

PKG

This is a pulse integrator which integrates 1 count per pulse while operating an electromagnetic counter with pulse input.

## FEATURES

1. The pulse integrator assures a response fast enough to counter pulses at high frequency.
2. A click-touch type resetter is provided to facilitate resetting at zero.

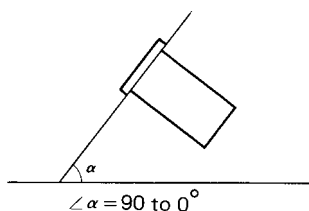
## SPECIFICATIONS

- Input signal:** ON-OFF no-voltage contact (1a)  
**Integration rate:** 1 count/pulse  
**Display mode:** Decimal 6-digit electromagnetic counter (with click-touch type reset push-button)  
**Integrating speed:**  
 450 counts/min  
**ON-OFF time:** 66.7 msec or longer (for both  $T_{ON}$  and  $T_{OFF}$ )  
**Power supply:** DC 24V (20~30V) or AC 100V 10%, 50/60Hz  
**Power indicator lamp:** Rectangular green LED  
**Power consumption:** Approx. 5W (DC 24V) / Approx. 6VA (AC 100V)  
**Ambient temperature:** 0 to 45°C  
**Ambient humidity:** 90% RH (MAX)  
**Enclosure:** Steel case  
**External dimensions (HxWxD):** 144 x 72 x 400 mm (casing) + terminal board  
**Mass (weight):** Approx. 4.2kg  
**Finish color:** Munsell 7Y 7.3/1.4  
**Mounting:** Panel flush mounting



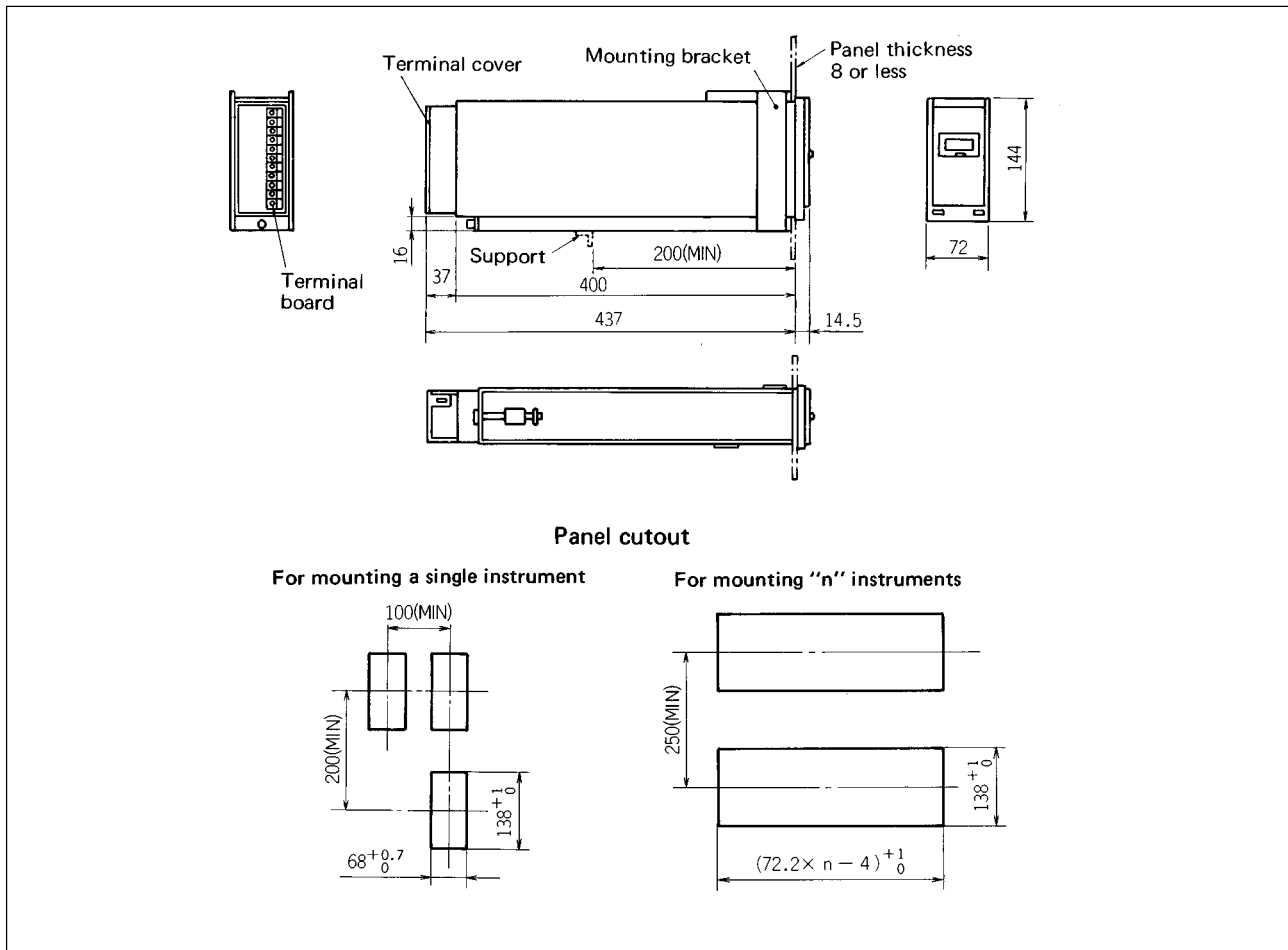
## CODE SYMBOLS

1	2	3	4	5	6	7	8	
P	K	G	1	0	0	2		Description
							1	Power supply
							3	DC 24V
								AC 100V, 50/60Hz

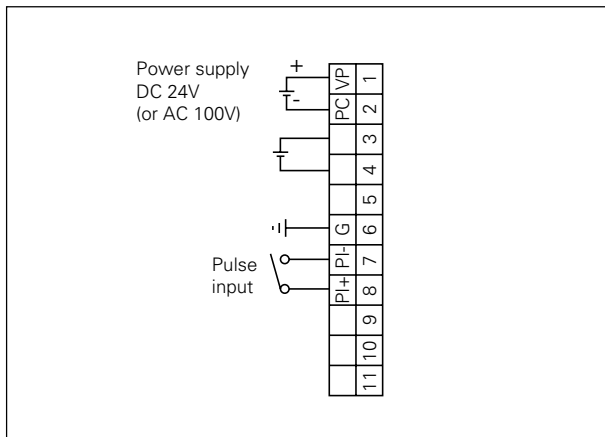


**Scope of delivery:**  
 Integrator and mounting bracket

## OUTLINE DIAGRAM (Unit : mm)



## CONNECTION DIAGRAM



⚠ Caution on Safety

\*Before using this product, be sure to read its instruction manual in advance.

### Fuji Electric Systems Co., Ltd.

#### Head Office

Gate City Ohsaki, East Tower, 11-2, Osaki 1-chome,  
Shinagawa-ku, Tokyo 141-0032, Japan

<http://www.fesys.co.jp/eng>

#### Instrumentation Div.

#### International Sales Dept.

No.1, Fuji-machi, Hino-city, Tokyo, 191-8502 Japan  
Phone: 81-42-585-6201, 6202 Fax: 81-42-585-6187

<http://www.fic-net.jp/eng>

Information in this catalog is subject to change without notice.