

GBM/FXX

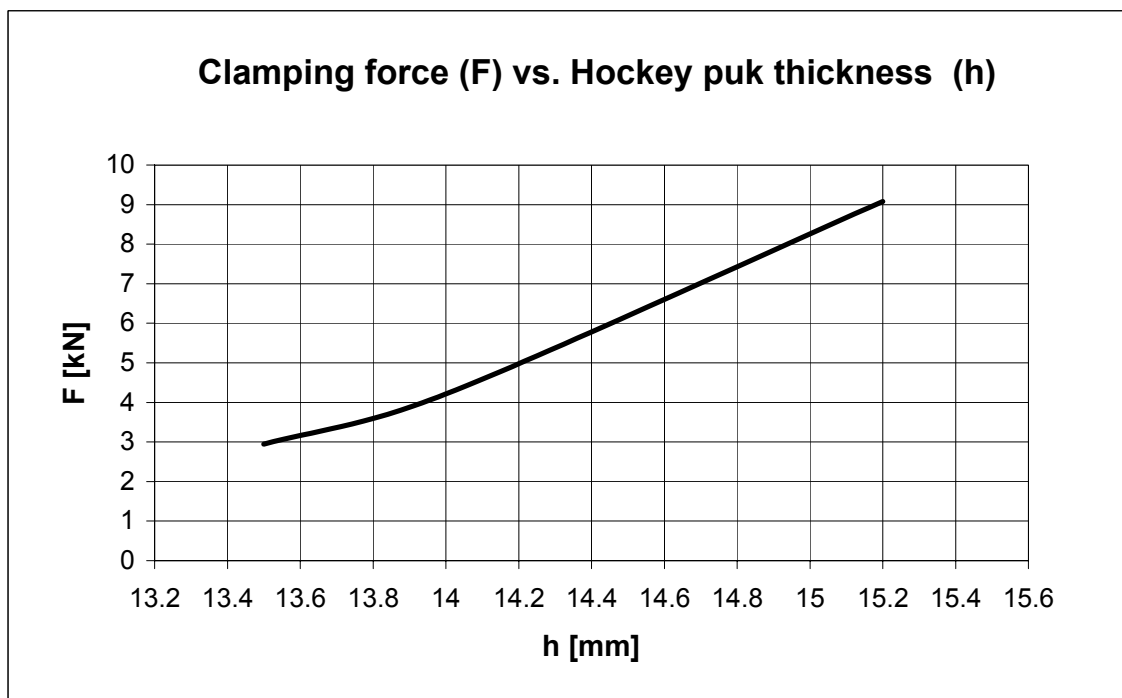
BOX CLAMP FOR HOCKEY PUKS DO-200 AA, B-3, TO-200AB (A AND E TYPE)

User friendly assembly
 UL 94V0 Plastic material
 M8 or M10 upper threads or threaded holes
 Rugged construction
 Self adapting to the above industry standard puks.

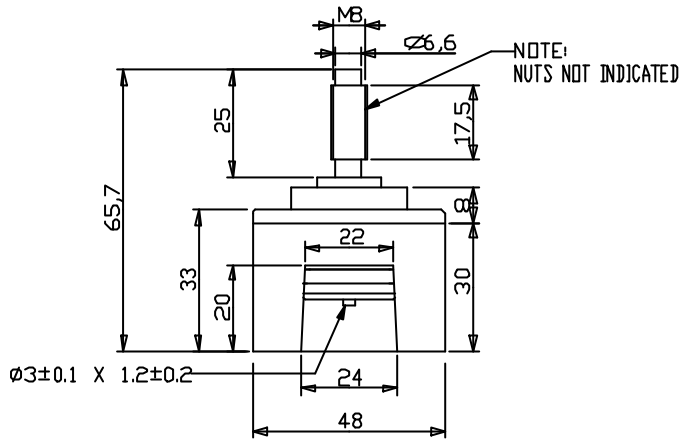
Contact Factory for special types

	GBM08	GBM10	GBF08	GBF10
Characteristic	Value	Value	Value	Value
Upper threaded connection	M8	M10		
Threaded hole x depth [mm]			M8 x 10	M10 x 12
Plastic body colour	Grey	Grey	Grey	Grey
Max Operating temperature	90 °C	90 °C	90 °C	90 °C
Allowed semiconductor diameter - max	42 mm	42 mm	42 mm	42 mm
Mass - without nuts and bolts	200 g	220 g	190 g	210 g

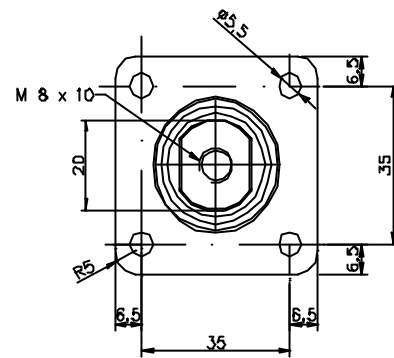
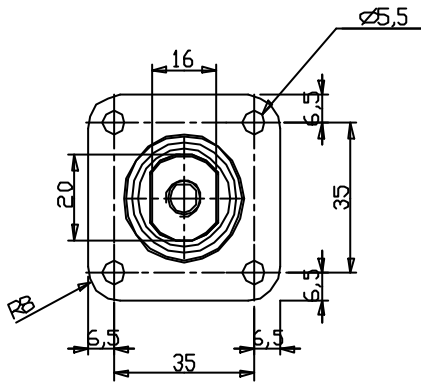
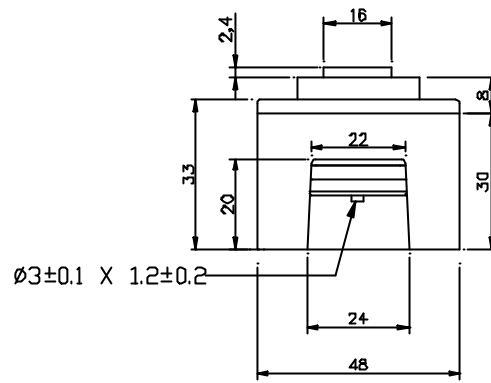
Ordering information	For type GBM08 and GBM10 nuts can be supplied. Add -xN to the code, x is the number of nuts required. Example : GBM10-2N
-----------------------------	--



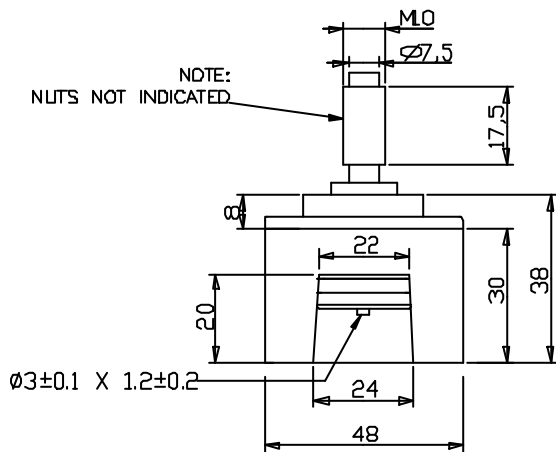
GBM08



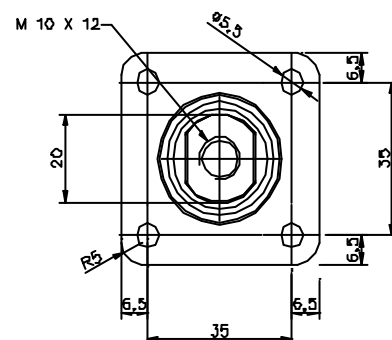
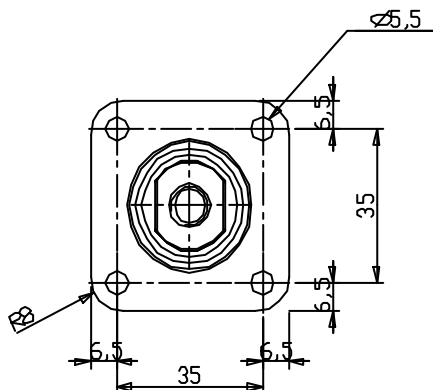
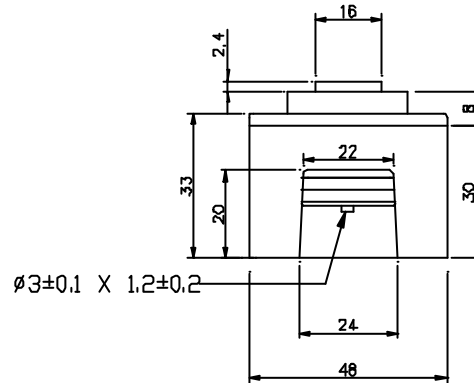
GBF08



GBM10



GBF10



Dimensions in mm - Tolerances according to ISO 2768MK