

INDUCTOR

P/N L-703

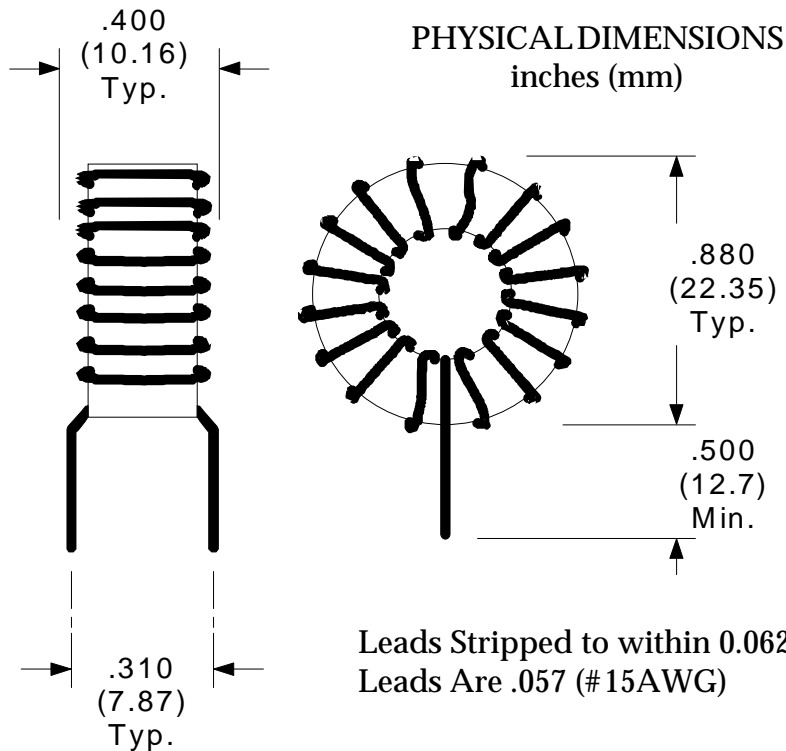
PARAMETER	MIN.	TYP.	MAX.	UNITS
Inductance		3.00		μ H
DCR		3.10		m Ω
Current Rating			17	A

Single Layer Wound

Leads are Pre-Tinned

Varnish Finish

Optional *add suffix "V"*



6/26/01