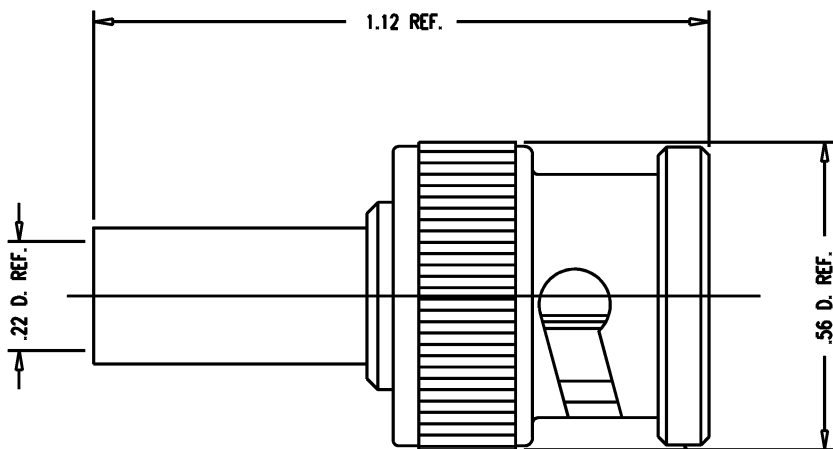


|          |        |           |
|----------|--------|-----------|
| DASH NO. | M CODE | MADE FROM |
|----------|--------|-----------|

# GSD

M39012/16-0503

| REVISIONS |                          |
|-----------|--------------------------|
| ISSUE     | CHANGES                  |
| 0         | ER 38996<br>DCT 1/15/4   |
| 1         | CN 39116 E<br>DCT 7/12/4 |



STAMP: 91836 M39012/16-0503  
755-121-5 (XXXX)  
DATE CODE

**NOTES:**

- FOR USE WITH RG-142, 223 AND 400/U CABLE GROUPS.
- FOR CABLING INSTRUCTIONS SEE CP-465.
- FOR CRIMPING USE DIE KTH-2001.
- INTERFACE PER MIL-STD-348, FIG. 301-1.
- CENTER CONTACT TO BE SUPPLIED UNASSEMBLED.
- MATERIALS:  
INSULATOR: TEFLON, ASTM-D4894  
GASKET: SILICONE RUBBER, A-A-59588  
SPRING WASHER: BER. COP. ASTM-B-196  
OUTER CONTACT: BER. COP. ASTM-B-196  
CRIMP SLEEVE; COMM. BRONZE, ASTM-B16, H02  
ALL OTHER METAL PARTS: BRASS, ASTM-B36
- FINISHES:  
CENTER CONTACT: GOLD PLATE PER ASTM-B488  
ALL OTHER METAL PARTS: SILVER PLATE PER ASTM-B700
- ELECTRICAL CHARACTERISTICS:  
NOMINAL IMPEDANCE: 50 OHM  
FREQUENCY RANGE: DC TO 4 GHz  
VOLTAGE RATING: 500 VOLTS RMS

|  |              |
|--|--------------|
| SCALE 4:1  |              |
| APPROX SURFACE AREA  |              |
| 755-121-5  |              |
| USED ON  |              |
| REF:   |              |
| PLUG, BNC  |              |
| DRAWN DCT  | DATE 1/8/4   |
| DESIGN DCT   | DATE 10/24/3 |
| APPR.  | DATE         |
| <br>ELECTRONICS CO., INC.<br>ROCK HILL, SOUTH CAROLINA 29730 |              |
| M39012/16-0503   |              |

# GSD