

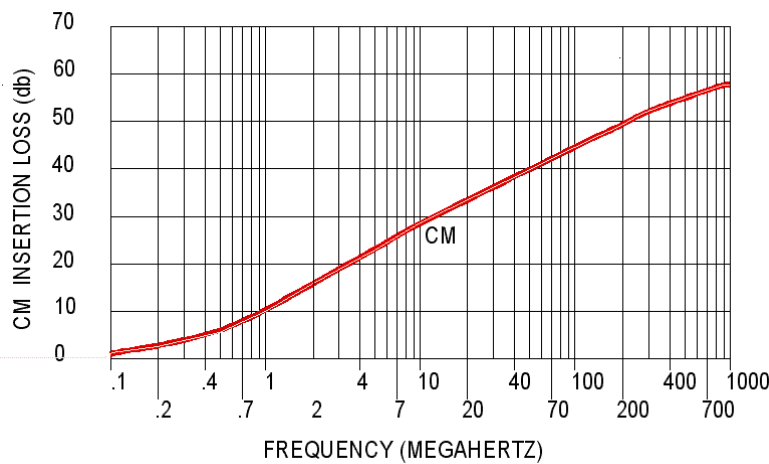
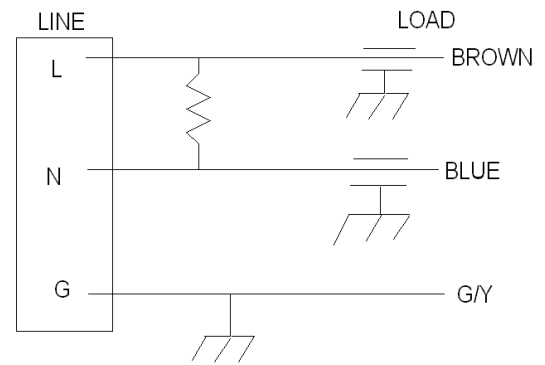
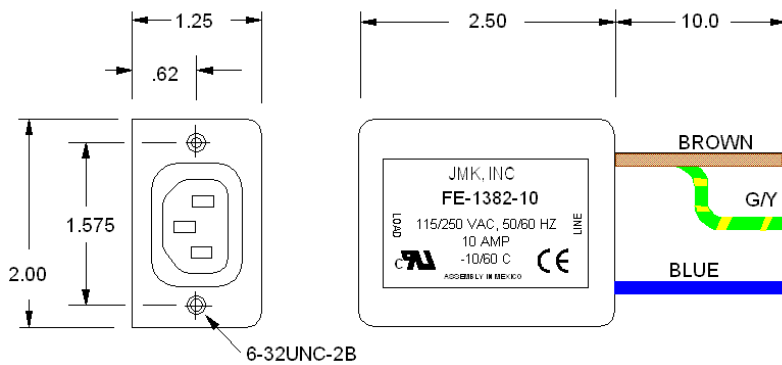


FE-1382-10 OUTLET FILTER

Operating Voltage= 115/240 Vac
Operating Current Max= 10 amp
Operating Frequency= 50/60Hz
Temperature Operating= -10 to 60 deg. C
Die Withstand (Line to Case)= 1500V~ for 1 Min
Die Withstand (Line to Line)= 1500Vdc for 1min
Leakage Current = 0.5ma @ 250 VAC, 60Hz
Discharge after 1.0 sec.= 10V Max

Order Part Number FE-1382-10

The FE -1382 -10 filter is designed to provide filtered auxiliary power from a secure server or similar piece of hardware. This filter will prevent high frequency emissions from bypassing the main inlet power filter. All line entering or exiting secure hardware must be filtered. This filter is an economical solution if an auxiliary power outlet Connector is de-



USA JMK Inc 15 Caldwell Dr. Amherst, NH 03031 PH: 603 886-4100 FX: 603 886-4115
 email: info@jmkfilters.com
 EUR JMK Inc Glasgow G13 1DN Scotland UK PH: 44-(0) 7785310729 Fax: 44-(0) 141 589 1884