

Peak Emission Wavelength: 660nm

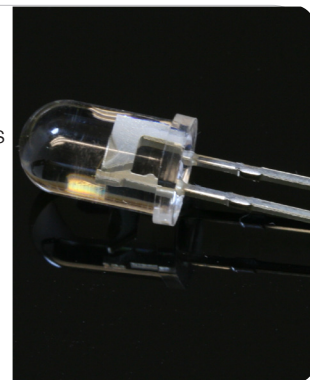
The MTE5066N5J-UR is a red T 1 3/4, 5mm water clear LED designed for applications requiring high power output and high reliability in a narrow angle package. It can be custom sorted for specific power output ranges

FEATURES

- > High Power Output
- > High Reliability
- > Narrow Beam Angle
- > Excellent Optical / Mechanical Axis Alignment

APPLICATIONS

- > Optical Sensing
- > Machine Vision
- > Bar Code Scanning
- > Indicators



Absolute Maximum Ratings (Ta=25°C)

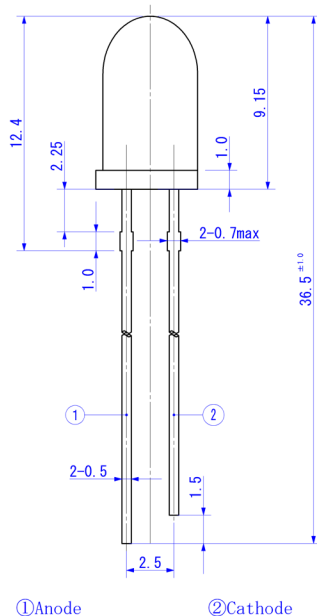


ITEMS	SYMBOL	RATINGS	UNIT
Forward Current (DC)	IF	50	mA
Forward Current (Pulse)*1	IFP	0.5	A
Reverse Voltage	VR	5	V
Power Dissipation	PD	120	mW
Operating Temperature Range	ToPr	-20 ~ +80	°C
Storage Temperature Range	Tstg	-30 ~ +100	°C
Junction Temperature	Tj	100	°C
Lead Soldering Temperature*2	Tls	260	°C

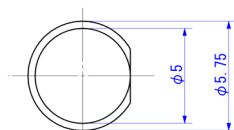
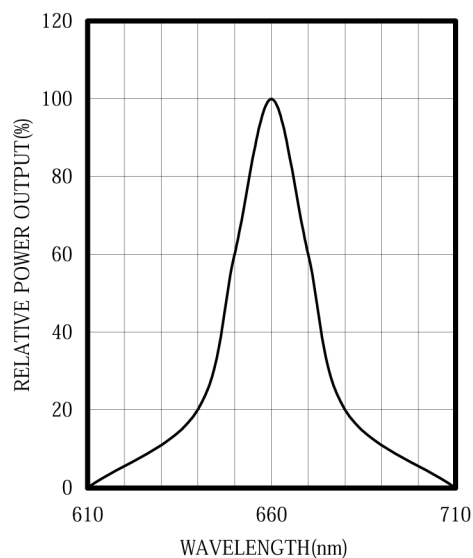
*1: Tw=10μsec, T=10msec. *2: Time 5Sec max, Position: Up to 3mm from the body.

Electrical & Optical Characteristics (Ta = 25°C)

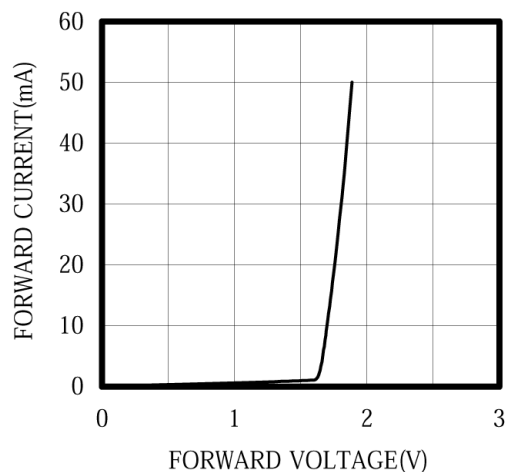
ITEMS	SYMBOL	CONDITIONS	MIN	TYP	MAX	UNIT
Power Output	PO	IF=20mA	5.0	6.5	--	mW
Forward Voltage	VF	IF=20mA	--	1.8	2.2	V
Reverse Current	IR	VR=5V	--	--	100	μA
Peak Emission Wavelength	λp	IF=20mA	--	660	--	nm
Spectral Line Half Width	Δλ	IF=20mA	--	25	--	nm
Half Intensity Beam Angle	Θ	IF=20mA	--	±7	--	deg
Luminous Intensity	Iv	IF=20mA	1200	3000	--	mcd
Rise Time	Tr	IPF=20mA	--	30	--	nS
Fall Time	Tf	IFP=20mA	--	30	--	nS
Junction Capacitance	Cj	1MHz, V=0V	--	20	--	pF
Temperature Coefficient of PO	P/T	IF=10mA	--	-0.5	--	%/°C
Temperature Coefficient of VF	V/T	IF=10mA	--	-1.5	--	mV/°C



SPECTRAL OUTPUT



FORWARD I-V CHARACTERISTICS



Unit: mm, Tolerance: ± 0.2

