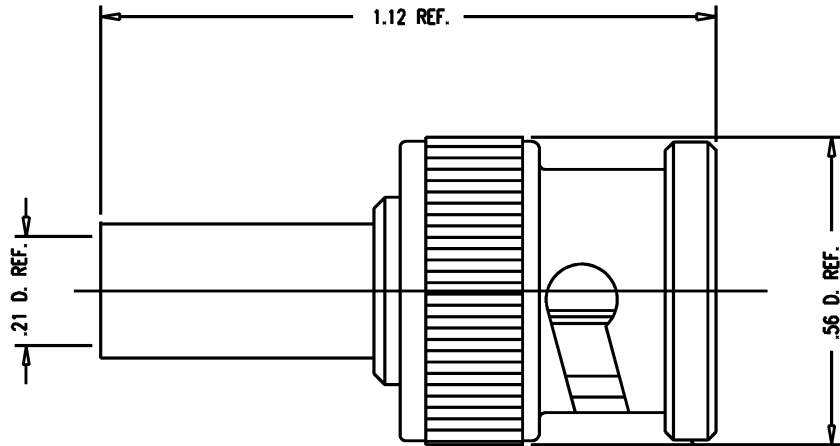


DASH NO.	M CODE	MADE FROM
----------	--------	-----------

GSD

M39012/16-0504

REVISIONS	
ISSUE	CHANGES
0	ER 38996 DCT 1/16/4
1	CN 39116 E DCT 7/12/4



STAMP: 91836 M39012/16-0504
755-122-5 (XXXX)
DATE CODE

NOTES:

- FOR USE WITH RG-58 AND 141/U CABLE GROUPS.
- FOR CABLING INSTRUCTIONS SEE CP-465.
- FOR CRIMPING USE DIE KTH-2001.
- INTERFACE PER MIL-STD-348, FIG. 301-1.
- CENTER CONTACT TO BE SUPPLIED UNASSEMBLED.
- MATERIALS:
INSULATOR: TEFLON, ASTM-D4894
GASKET: SILICONE RUBBER, A-A-59588
SPRING WASHER: BER. COP. ASTM-B-196
OUTER CONTACT: BER. COP. ASTM-B-196
CRIMP SLEEVE: COMM. BRONZE, ASTM-B16, H02
ALL OTHER METAL PARTS: BRASS, ASTM-B36
- FINISHES:
CENTER CONTACT: GOLD PLATE PER ASTM-B488
ALL OTHER METAL PARTS: SILVER PLATE PER ASTM-B700
- ELECTRICAL CHARACTERISTICS:
NOMINAL IMPEDANCE: 50 OHM
FREQUENCY RANGE: DC TO 4 GHz
VOLTAGE RATING: 500 VOLTS RMS

SCALE 4:1	
APPROX SURFACE AREA	
755-122-5	
USED ON	
REF:	
PLUG, BNC	
DRAWN DCT	DATE 1/8/4
DESIGN DCT	DATE 10/24/3
APPR.	DATE
 ROCK HILL, SOUTH CAROLINA 29730	
M39012/16-0504	

GSD