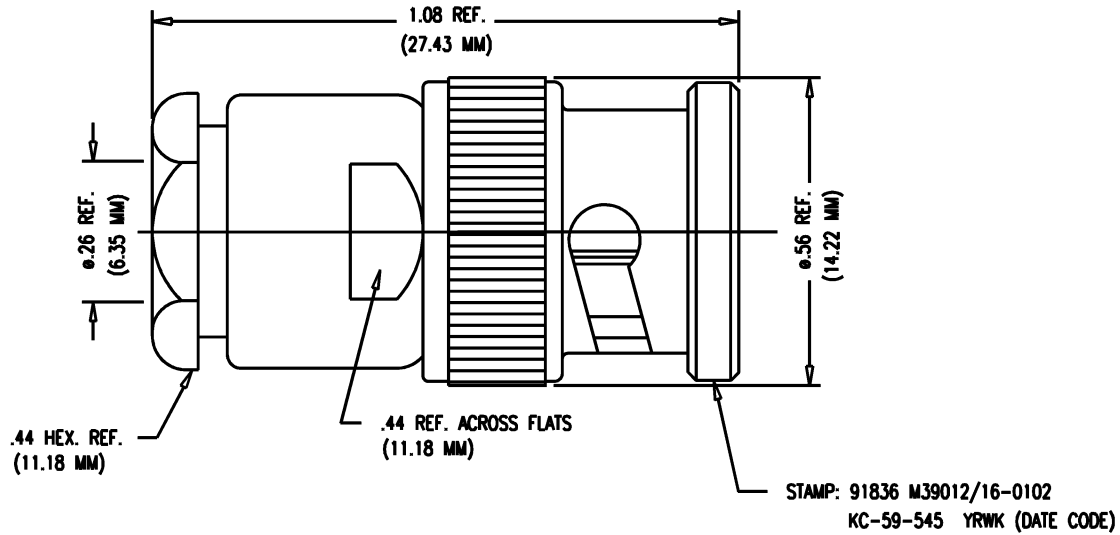


# GSD

M39012/16-0102

**REVISIONS**

ISSUE	CHANGES
4	CN 37541 C REDRAWN JW 01/15/98



**NOTES:**

- FOR USE WITH RG-59, 62, 71, 140 & 210/U CABLE.
- FOR CABLING INSTRUCTIONS SEE CP-1050.
- INTERFACE PER MIL-STD-348, FIG. 301-1.
- MATERIALS:**  
INSULATORS: TEFLON, ASTM-D-1457  
GASKETS: SILICONE RUBBER, ZZ-R-765  
SPRING WASHER: BER. COPPER, ASTM-B-194  
ALL OTHER METAL PARTS: BRASS, ASTM-B16
- FINISHES:**  
CENTER CONTACT: GOLD PLATE, PER MIL-G-45204.  
ALL OTHER METAL PARTS: SILVER PLATE, PER QQ-S-365
- ELECTRICAL CHARACTERISTICS:**  
NOMINAL IMPEDANCE: 50 OHMS  
WORKING VOLTAGE: 500 VRMS  
FREQUENCY RANGE: DC TO 4 GHz

KC59545S

SCALE 4:1	
APPROX SURFACE AREA	
KC-59-545	
USED ON	
REF:	
BNC, PLUG	
DRAWN MARTHA	DATE 12/21/81
DESIGN MJB	DATE 12/21/81
APPR.	DATE
 ELECTRONICS CO., INC. TUCKAHOE, NEW YORK 10707	

# GSD

M39012/16-0102