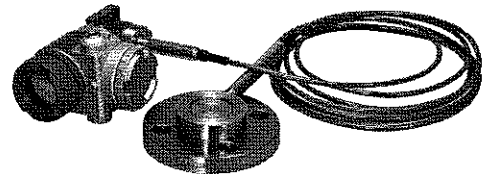


FCX – A SERIES SMALL FLANGE REMOTE SEAL TYPE PRESSURE TRANSMITTER

DATA SHEET

FHW,FKW...2

The FCX –A Series small flange remote seal type pressure transmitter accurately measures gauge pressure and transmits a proportional 4 to 20mA signal. The transmitter utilizes a unique micromachined capacitive silicon sensor with state-of -the-art microprocessor technology to provide exceptional performance and functionality. Totally welded construction of the seals assures excellent reliability in high temperature and highly corrosive process conditions.



FEATURES

- 1. Directly connectable to 1-1/2in and 2in flanges**
The transmitter is connectable to 1-1/2in and 2in pipes without a reducer.
- 2. Connectable to 1/2in and 3/4in pipes**
Use of direct mounting adapter allows the transmitter to be connected to the following process.
1/2in and 3/4in flanges
Screw connection 1/2-14NPT, 3/4-14NPT, Rc1/2, Rc3/4
- 3. Minimum environmental influence**
The "Floating Cell" design which protects the pressure sensor against changes in temperature, and overpressure substantially reduces total measurement error in actual field applications.
- 4. Smart / Traditional convertible**
Fuji micro-electronics manufacturing technology offers free selection of Smart / Traditional transmitters. A small plug-in communication module upgrades your model FHW to smart type model FKW, which has full remote communication capabilities. A Hand Held Communicator (HHC), model FXW can remotely display or reconfigure all transmitter parameters at any point on the loop without affecting the transmitter signal.
- 5. Fuji/HART bilingual communication module**
The communication module is "bilingual" to speak both Fuji proprietary protocol and HART. Any HART compatible devices can communicate with FCX-A/C series transmitters.
- 6. Application flexibility**
Example options that render the FCX –A suitable for almost any process applications includes:
 - Analog indicator at either the electronics side or terminal side
 - Full range of hazardous area approvals
 - Built-in RFI filter and lightning arrestor
 - 4 1/2-digits LCD meter
 - Stainless steel electronics housing
 - Wide selection of materials
 - High temperature, vacuum seals

SPECIFICATIONS

Functional specifications

Type:

Model FHW: 4 to 20mA, Traditional type

Model FKW: 4 to 20mA with digital signal, Smart type

Service:

Liquid, gas, or vapour

Span, range, and overrange limit:

Type	Span limit [kPa][bar]			Range limit [kPa][bar]	Overrange limit [MPa] [bar]
	Min.		Max.		
	FHW	FKW	FHW/FKW		
F□W□□3	300 {3}	50 {0.5}	3000 {30}	-100 to +3000 {-1 to +30}	4.5 {45}
F□W□□4	1000 {10}	250 {2.5}	10000 {100}	-100 to 10000 {-1 to 100}	15 {150}

— Lower range limit (vacuum limit) ;

Silicone fill sensor: See Fig. 1

Fluorinated fill sensor: Atmospheric pressure

— Conversion factors to different units;

1 MPa=10³kPa=10bar=10.19716kgf/cm²=145.0377psi

1kPa=10mbar=101.9716mmH₂O=4.01463inH₂O

Output signal:

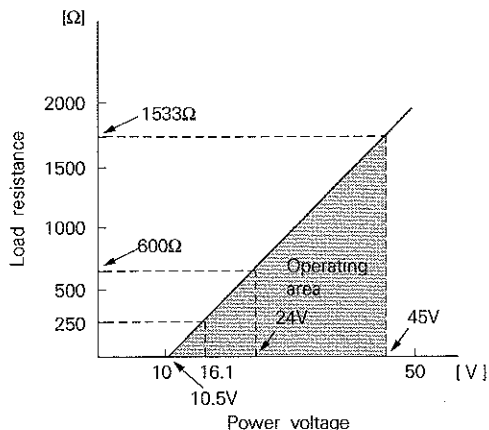
Model FHW: 4 to 20mA DC 2-wire

Model FKW: 4 to 20mA DC with digital signal superimposed on the 4 to 20mA signal.

Power supply:

Transmitter operates on 11V to 45V DC at transmitter terminals.
11V to 32V DC for the units with optional arrestor.

Load limitations: see figure below



Note: For communication with FXW, min. of 250 Ω is required.

Hazardous locations:

Authorities	Flameproof	Intrinsic safety	Type N Nonincendive
BASEEFA Factory Mutual	Ex ds IIC T5, T6 Class I II III Div. 1 Groups B thru. G	EEx ia IIC T4, T5 Class I II III Div. 1 Groups A thru. F	Ex N II T5 Class I II III Div. 2 Groups A thru. G
RIIS	Ex ds IIB+H ₂ T4	I2G4	—

Zero/span adjustment:

Model FHW: Zero is adjustable from the external adjustment screw.

The adjustment screw can also function to adjust span when MODE SWITCH (located on the electronics unit) is in the span mode. INHIBIT mode to disable the adjustment screw is also available.

Model FKW: Zero and span are adjustable from the HHC. Zero is also adjustable externally from the adjustment screw.

Damping: Adjustable electrical damping.

Model FHW: The time constant is adjustable to 0, 0.3, 1.2, 4.8, or 19.2 seconds.

Model FKW: The time constant is adjustable between 0 to 38.4 seconds.

Zero elevation/suppression:

Zero can be elevated or suppressed within the specified range limit of each sensor model.

Normal/reverse action:

Selectable by moving a jumper pin located on the electronics unit.

Indication: Analog indicator or 4 1/2-digit LCD meter, as specified.

Burnout direction: Output hold
Output 21.6mA } selectable
Output 3.8mA }

Model FHW: Unless otherwise specified, the output is in hold position.

Model FKW: Selectable from HHC.

Loop-check output:

Model FHW: Transmitter can output constant signal of 4mA, 12mA, or 20mA if MODE SWITCH is set to the loop check mode.

Model FKW: Transmitter can be configured to provide constant signal 3.8mA through 21.6mA by HHC.

Temperature limit:

Ambient: -15 to +65°C
(-15 to +60°C for arrester option)
(-10 to +60°C for fluorinated oil fill transmitter)
(-10 to +60°C for silicone oil "H", "S")

For explosionproof units (flameproof or intrinsic safety), ambient temperature must be within the limits specified by each standard.

Process:

Fill fluid	13th digit of "Code symbols"	Process temperature	Lower limit of static press.
Fluorinated oil	W, A and D	-20 to 120°C	Atmospheric pressure
Silicone oil	H	0 to 250°C	2.7kPa abs (20mmHg abs)
	Y and G	-40 to 120°C	
	S	0 to 250°C	

Storage: -40 to +70°C

Humidity limit: 0 to 100% RH

Communication: (Model FKW only)

With HHC (Model FXW, consult Data Sheet No. EDS8-47), following information can be remotely displayed or reconfigured.

Items	Display	Set
Tag No.	✓	✓
Model No.	✓	✓
Serial No.	✓	—
Engineering unit	✓	✓
Range limit	✓	—
Measuring range	✓	✓
Damping	✓	✓
Output mode	✓	✓
Burnout direction	✓	✓
Adjustment	✓	✓
Output adjust	—	✓
Data	✓	—
Self diagnoses	✓	—
Printer	—	—
External switch lock	✓	✓
Transmitter display(*)	✓	✓

Note: (*) HHC's version must be more than 5.0 (or FXW□□□□1-□2), to use this function.

Performance specifications

Accuracy rating: (including linearity, hysteresis, and repeatability)

For spans greater than 1/10 of URL: $\pm 0.25\%$ of span

For spans below 1/10 of URL (Model FKW only):

$$\pm \left(0.17 + 0.08 \frac{0.1 \times \text{URL}}{\text{Span}} \right) \% \text{ of span}$$

Linearity: 0.1% of calibrated span

Stability: $\pm 0.2\%$ of upper range limit (URL) for 6 months

Temperature effect:

Effect per 55°C change between the limits of -15°C and +65°C

Zero shift: $\pm 1\%/55^\circ\text{C}$

(x equal to 1/6.5 URL or more)

Zero shift; $\pm \left(\frac{\text{URL}}{6.5 \times x} \right) \% / 55^\circ\text{C}$

(x less than 1/6.5 URL)

Total shift; $\pm 1.5\%/55^\circ\text{C}$

(x less than 1/6.5 URL or more)

Total shift; $\pm \left(0.5 + \frac{\text{URL}}{6.5 \times x} \right) \% / 55^\circ\text{C}$

(x less than 1/6.5 URL)

Where, x: Calibrated span

URL: Maximum span (Upper Range Limit)

Note 1: Condition:

Capillary length: 3m max.

In case the capillary length is 5m, the performance becomes 1.5 times worse than above.

Note 2: In case the 7th code (material code) is other than W, A, B, C or D, the performance becomes 2.5 times worse than above.

Note 3: Above specifications are based on the conditions that flange and sensor unit are at the same temperature and in the same level. If temperature is different at flange, capillary or sensor unit, output variation may increase.

Overrange effect: Zero shift; 0.2% of URL/(1.5 x URL)

Supply voltage effect:

Less than 0.05% of calibrated span per 10V

RFI effect: Less than 0.2% of URL for the frequencies of 20 to 1000MHz and field strength 30 V/m when electronics covers on.

Step response: Time constant: 0.3s (with 1.5m capillary)

Dead time: approximately 0.3s (without electrical damping)

Dielectric strength:

500V AC, 50/60Hz 1 min., between circuit and earth.

Insulation resistance:

More than 100M Ω /500V DC.

Turn-on time: 4 sec.

Internal resistance for external field indicator:

12 Ω or less

Physical specifications

Electrical connections:

G1/2, 1/2-14 NPT, Pg13.5, or M20x1.5 conduit, as specified.

Process connections:

JIS;

10K, 20K, 30K, 63K -40, 50A

10K, 20K, 30K, 63K -15, 20A (with Adapter)

ANSI/JPI;

150LB, 300LB, 600LB, -1 1/2B, 2B

150LB, 300LB, 600LB, -1/2B, 3/4B (with Adapter)

Screw connection (with Adapter);

Rc1/2, Rc3/4, 1/2-14NPT, 3/4-14NPT

Diaphragm extension:

0, 50, 100, 150, or 200mm as specified.

(See model code. Extended diaphragm is available only with 316L stainless steel diaphragm)

Process-wetted parts material:

Diaphragm: 316L stainless steel, Hastelloy-C Monel or Tantalum

Flange face: 316 stainless steel, Hastelloy-C lining

Monel lining or Tantalum lining

Extension: 316 stainless steel

(Refer to "Code symbols")

Non-wetted parts material:

Electronics housing: Low copper die-cast aluminum alloy (standard), finished with epoxy/polyurethane double coating, or 316 stainless steel, as specified.

Capillary: PVC armored stainless steel

Mounting flange: (option) 304 stainless steel or carbon steel

Fill fluid: Silicone oil (standard) or fluorinated oil (Daifloil)

Mounting bracket: Carbon steel with epoxy coating or 304 stainless steel, as specified

Environmental protection:

IEC IP67 and NEMA 4X

Mounting:

On 60.5mm (JIS 50A) pipe using mounting bracket, direct wall mounting

Mass (weight): Transmitter approximately 10kg without options.

Add; 0.5kg for mounting bracket

0.8kg for indicator option

4.5kg for stainless steel housing option

1.5kg per 50mm extension of diaphragm

Optional features

- Indicator:** A plug-in analog indicator (1.5% accuracy) can be housed in the electronics compartment or in the terminal box of the housing.
An optional 4½ digits LCD meter is also available.
- Arrester:** A built-in arrester protects the electronics from lightning surges.
Lightning surge immunity is 4kV (1.2 x 50µs).
- Oxygen service:** Special cleaning procedures are followed throughout the process to maintain all process wetted parts oil-free.
The fill fluid is fluorinated oil.
- Chlorine service:** Oil-free procedures as above. Includes fluorinated oil for fill.
Not available with material code "W".
- Degreasing:** Process-wetted parts are cleaned, but the fill fluid is standard silicone oil. Not for use on oxygen or chlorine measurement.
- Vacuum and high temperature service:** Special silicone oil and filling procedure are applied.
See below figure.

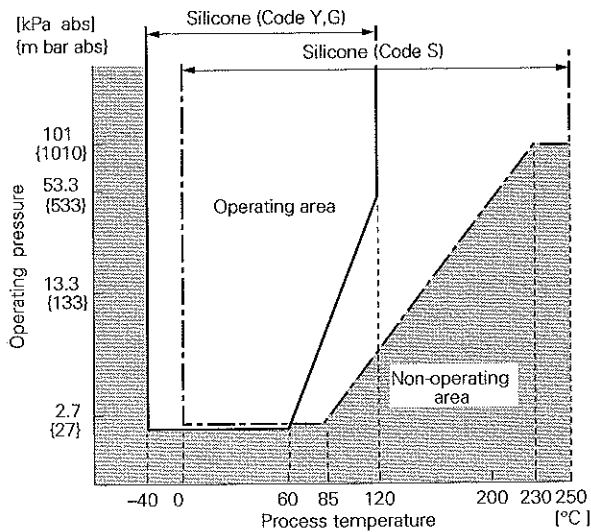


Fig. 1 Relation between process temperature and operating pressure

- Customer tag:** A stainless steel tag for customer tag data is wired to the transmitter.
- Coating of cell:** Cell's surface is finished with epoxy/polyurethane double coating. Specify if environment is extremely corrosive.

ACCESSORIES

- Hand-held communicator:** (Model FXW, refer to Data Sheet No. EDS8-47)
- Communication module:** (Standard for FKW)
When using this module for model FHW, remote setting function becomes available.
Remark: When the communication module is connected, the operation mode of external zero/span adjustment screw is changed to zero adjustment.

The product conforms to the requirements of the Electromagnetic compatibility Directive 89/336/EEC as detailed within the technical construction file number TN510412. The applicable standards used to demonstrate compliance are :-

EMI (Emission) EN50081-1 : 1992

Test item	Frequency range	Basic standard
Applicable Electromagnetic Radiation Disturbance	30-1000MHz	EN55022 Class B

EMS (Immunity) EN50082-1 : 1992

No.	Test item	Test specification	Basic standard	Performance criteria
1	Electrostatic discharge	8kV (Air)	IEC 801-2:1984	B
2	Radio-frequency electromagnetic field.	27-500MHz 3V/m (Unmodulated)	IEC 801-3:1984	A
3	Fast transients common mode	0.5kV, 5/50 (Tr/Th) ns 5kHz Rep.	IEC 801-4:1988	B

"LVD - The transmitter is not covered by the requirements of the LVD standard."

CODE SYMBOLS

1 2 3 4 5 6 7 8 9 10 11 12 13 14 15 16 17 18 19 20 21		Description																																				
F	W																																					
FHW		Type 4 to 20mA, Traditional type																																				
FKW		4 to 20mA with digital signal, Smart type																																				
S		Conduit connection <4th digit> G 1/2																																				
T		1/2 - 14NPT																																				
V		Pg 13.5																																				
W		M20 X 1.5																																				
		Flange <5th digit>																																				
		<table border="1"> <thead> <tr> <th>Material</th> <th>Size and rating</th> </tr> </thead> <tbody> <tr> <td rowspan="14">304 stainless steel</td> <td>JIS 10K 40A</td> </tr> <tr> <td>JIS 10K 50A</td> </tr> <tr> <td>JIS 20K 40A</td> </tr> <tr> <td>JIS 20K 50A</td> </tr> <tr> <td>JIS 30K 40A</td> </tr> <tr> <td>JIS 30K 50A</td> </tr> <tr> <td>JIS 63K 40A</td> </tr> <tr> <td>JIS 63K 50A</td> </tr> <tr> <td>ANSI/JPI 150LB 1 1/2B</td> </tr> <tr> <td>ANSI/JPI 150LB 2B</td> </tr> <tr> <td>ANSI/JPI 300LB 1 1/2B</td> </tr> <tr> <td>ANSI/JPI 300LB 2B</td> </tr> <tr> <td>ANSI/JPI 600LB 1 1/2B</td> </tr> <tr> <td>ANSI/JPI 600LB 2B</td> </tr> <tr> <td rowspan="14">Carbon steel</td> <td>JIS 10K 40A</td> </tr> <tr> <td>JIS 10K 50A</td> </tr> <tr> <td>JIS 20K 40A</td> </tr> <tr> <td>JIS 20K 50A</td> </tr> <tr> <td>JIS 30K 40A</td> </tr> <tr> <td>JIS 30K 50A</td> </tr> <tr> <td>JIS 63K 40A</td> </tr> <tr> <td>JIS 63K 50A</td> </tr> <tr> <td>ANSI/JPI 150LB 1 1/2B</td> </tr> <tr> <td>ANSI/JPI 150LB 2B</td> </tr> <tr> <td>ANSI/JPI 300LB 1 1/2B</td> </tr> <tr> <td>ANSI/JPI 300LB 2B</td> </tr> <tr> <td>ANSI/JPI 600LB 1 1/2B</td> </tr> <tr> <td>ANSI/JPI 600LB 2B</td> </tr> <tr> <td>None (Wafer type)</td> <td>40A, 1 1/2B 50A, 2B</td> </tr> <tr> <td></td> <td>Direct mounting adapter connection (* 1)</td> </tr> </tbody> </table>	Material	Size and rating	304 stainless steel	JIS 10K 40A	JIS 10K 50A	JIS 20K 40A	JIS 20K 50A	JIS 30K 40A	JIS 30K 50A	JIS 63K 40A	JIS 63K 50A	ANSI/JPI 150LB 1 1/2B	ANSI/JPI 150LB 2B	ANSI/JPI 300LB 1 1/2B	ANSI/JPI 300LB 2B	ANSI/JPI 600LB 1 1/2B	ANSI/JPI 600LB 2B	Carbon steel	JIS 10K 40A	JIS 10K 50A	JIS 20K 40A	JIS 20K 50A	JIS 30K 40A	JIS 30K 50A	JIS 63K 40A	JIS 63K 50A	ANSI/JPI 150LB 1 1/2B	ANSI/JPI 150LB 2B	ANSI/JPI 300LB 1 1/2B	ANSI/JPI 300LB 2B	ANSI/JPI 600LB 1 1/2B	ANSI/JPI 600LB 2B	None (Wafer type)	40A, 1 1/2B 50A, 2B		Direct mounting adapter connection (* 1)
Material	Size and rating																																					
304 stainless steel	JIS 10K 40A																																					
	JIS 10K 50A																																					
	JIS 20K 40A																																					
	JIS 20K 50A																																					
	JIS 30K 40A																																					
	JIS 30K 50A																																					
	JIS 63K 40A																																					
	JIS 63K 50A																																					
	ANSI/JPI 150LB 1 1/2B																																					
	ANSI/JPI 150LB 2B																																					
	ANSI/JPI 300LB 1 1/2B																																					
	ANSI/JPI 300LB 2B																																					
	ANSI/JPI 600LB 1 1/2B																																					
	ANSI/JPI 600LB 2B																																					
Carbon steel	JIS 10K 40A																																					
	JIS 10K 50A																																					
	JIS 20K 40A																																					
	JIS 20K 50A																																					
	JIS 30K 40A																																					
	JIS 30K 50A																																					
	JIS 63K 40A																																					
	JIS 63K 50A																																					
	ANSI/JPI 150LB 1 1/2B																																					
	ANSI/JPI 150LB 2B																																					
	ANSI/JPI 300LB 1 1/2B																																					
	ANSI/JPI 300LB 2B																																					
	ANSI/JPI 600LB 1 1/2B																																					
	ANSI/JPI 600LB 2B																																					
None (Wafer type)	40A, 1 1/2B 50A, 2B																																					
	Direct mounting adapter connection (* 1)																																					
		Span limit [kPa] (m bar) <6th digit>																																				
		<table border="1"> <thead> <tr> <th>FHW</th> <th>FKW</th> </tr> </thead> <tbody> <tr> <td>300...3000 (3...30)</td> <td>50...3000 (0.5...30)</td> </tr> <tr> <td>1000...10000 (10...100)</td> <td>250...10000 (2.5...100)</td> </tr> </tbody> </table>	FHW	FKW	300...3000 (3...30)	50...3000 (0.5...30)	1000...10000 (10...100)	250...10000 (2.5...100)																														
FHW	FKW																																					
300...3000 (3...30)	50...3000 (0.5...30)																																					
1000...10000 (10...100)	250...10000 (2.5...100)																																					
		Material/diaphragm extension <7th digit>																																				
		<table border="1"> <thead> <tr> <th>Diaphragm</th> <th>Flange face</th> <th>Diaphragm extension (mm)</th> </tr> </thead> <tbody> <tr> <td rowspan="5">316L stainless steel</td> <td rowspan="5">316 stainless steel</td> <td>0</td> </tr> <tr> <td>50</td> </tr> <tr> <td>100</td> </tr> <tr> <td>150</td> </tr> <tr> <td>200</td> </tr> <tr> <td rowspan="3">Hastelloy-C</td> <td rowspan="3">Hastelloy-C</td> <td>0</td> </tr> <tr> <td>0</td> </tr> <tr> <td>0</td> </tr> <tr> <td rowspan="2">Monel</td> <td rowspan="2">Monel</td> <td>0</td> </tr> <tr> <td>0</td> </tr> <tr> <td rowspan="2">Tantalum</td> <td rowspan="2">Tantalum</td> <td>0</td> </tr> <tr> <td>0</td> </tr> </tbody> </table>	Diaphragm	Flange face	Diaphragm extension (mm)	316L stainless steel	316 stainless steel	0	50	100	150	200	Hastelloy-C	Hastelloy-C	0	0	0	Monel	Monel	0	0	Tantalum	Tantalum	0	0													
Diaphragm	Flange face	Diaphragm extension (mm)																																				
316L stainless steel	316 stainless steel	0																																				
		50																																				
		100																																				
		150																																				
		200																																				
Hastelloy-C	Hastelloy-C	0																																				
		0																																				
		0																																				
Monel	Monel	0																																				
		0																																				
Tantalum	Tantalum	0																																				
		0																																				

Note 1: Direct mounting adapter type is specified at 16th to 20th digit.
Direct mounting adapter is available only for 7th digit code "W".
2: Diaphragm extension is available only for 2B (50A) flanges.

1	2	3	4	5	6	7	8	9	10	11	12	13	14	15	16	17	18	19	20	21
F	W																			

		Description	
		Indicator and arrester <9th digit>	
	A	Indicator	Arrester
	B	None	None
	D	Analog, 0 to 100% linear scale	None
	J	Analog, custom scale	None
	E	Analog, double scale	None
	F	None	Yes
	H	Analog, 0 to 100% linear scale	Yes
	K	Analog, custom scale	Yes
	L	Analog, double scale	Yes
	P	Digital, 0 to 100%	None
	Q	Digital, custom scale	None (Model FKW only)
	S	Digital, 0 to 100%	Yes
	S	Digital, custom scale	Yes (Model FKW only)
		Approvals for hazardous locations <10th digit>	
	A	None (for ordinary locations)	
	B	JIS, Flameproof (Conduit seal)	
	C	JIS, Flameproof (Cable gland seal)	
	D	FM, Flameproof (or explosionproof)	
	M	BASEEFA, Flameproof (Conduit seal)	
	N	BASEEFA, Flameproof (Cable gland seal) (Conduit connection G 1/2 only)	
	G	JIS, Intrinsic safety	
	H	FM, Intrinsic safety and Nonincendive	
	K	CENELEC, Intrinsic safety	
	P	CENELEC, Intrinsic safety and BASEEFA, Type N	
		Capillary and mounting bracket <11th digit>	
	A	mounting bracket	Capillary
	B	Carbon steel	1.5m
	G		3m
	L		5m
	D	Stainless steel	1.5m
	E		3m
	L		5m
		Stainless steel parts <12th digit>	
	Y	<u>Stainless steel tag plate</u>	<u>Stainless steel elec. housing</u>
	B	None	None
	C	Yes	None
	E	None	Yes
	M	Yes	Yes
	N	None	None
	P	Yes	None
	Q	None	Yes
	Q	Yes	Yes
	Q		<u>Coating of cell</u>
	Y	None	None
	B	Yes	None
	C	None	None
	E	Yes	None
	M	None	Yes
	N	Yes	Yes
	P	None	Yes
	Q	Yes	Yes
		Treatment/Fill fluid <13th digit>	
	Y	Treatment	Fill fluid
	W	None	Silicone oil (for general use)
	G	None	Fluorinated oil
	A	Degreasing	Silicone oil
	D	Oxygen service	Fluorinated oil (7th digit code "W", "A", "B", "C" and "D")
	H	Chlorine service	Fluorinated oil (7th digit code "H" and "T")
	S	High temp. 250°C	Silicone oil
	S	High temp. and vacuum (250°C)	Silicone oil } (7th digit code "W", "A", "B", "C" and "D")
		Teflon membrane <14th digit>	
	Y	None	
	C	Yes (7th digit code "W", "H", "M", and "T")	
		Bolt/nut <15th digit>	
	Y	None	6th digit code "3"
	A	Standard (Cr-Mo alloy hexagon socket head cap bolt/ carbon steel nut)	6th digit code "4"
	B	Cr-Mo alloy hexagon bolt/carbon steel nut	
	E	304 stainless steel bolt/304 stainless steel nut	

Odering information

- When ordering this instrument, specify the output orientation (burnout direction) in case of abnormality in the transmitter. Unless otherwise specified, the output hold function is supplied.

Specifications of Direct Mounting Adapter {for 15, 20A (1/2, 3/4B) connection} and others

Note 1. When ordering the instrument with direct mounting adapter, specify "Y" in the 5th digit of Code Symbol, and specify 16th digit to 20th digits.

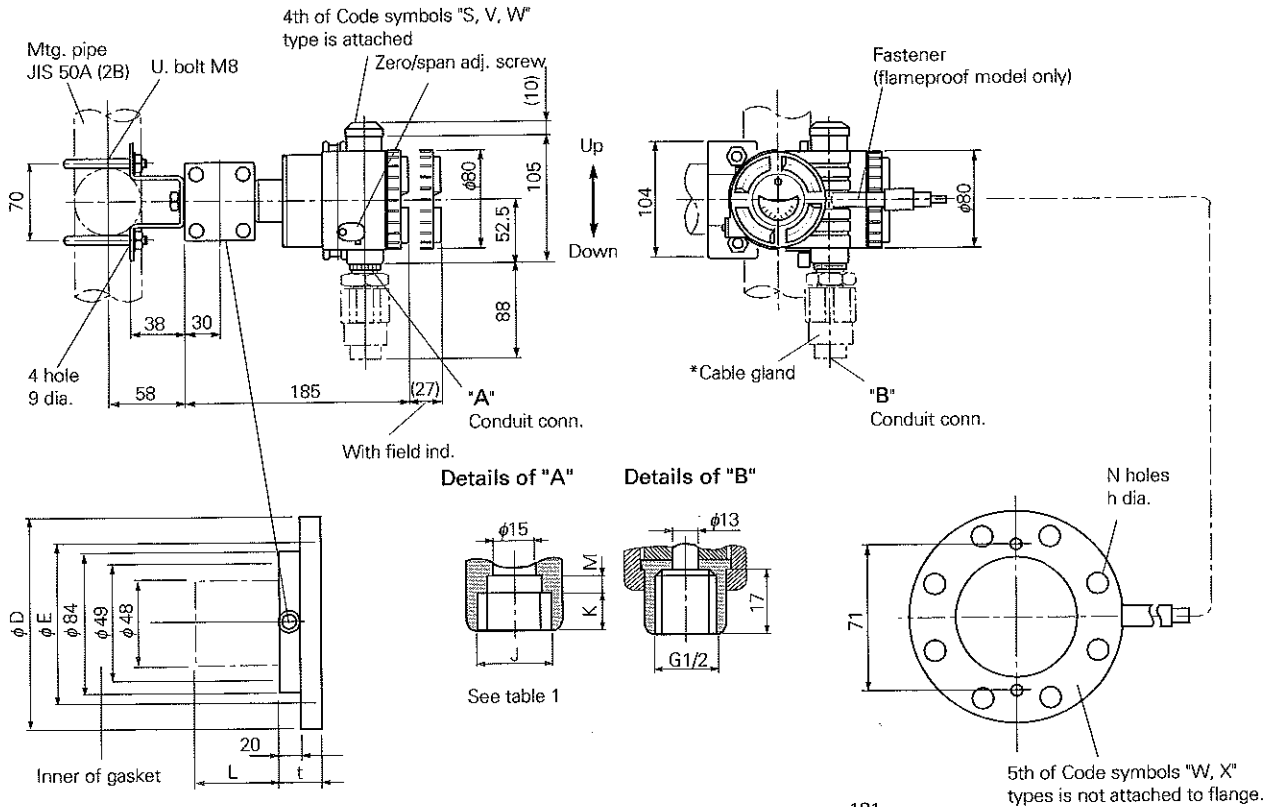
When ordering the instrument without direct mounting adapter, nothing should be filled in the 16th to 20th digits.

2. Unless otherwise described in the specifications, leave the 21st digit blank.

1	2	3	4	5	6	7	8	9	10	11	12	13	14	15	16	17	18	19	20	21	Description		
F	W						2														Process connection (direct mounting adapter) <16th to 17 digit>		
													1	1							JIS 10K 15A		
													1	2							JIS 10K 20A		
													2	1							JIS 20K 15A		
													2	2							JIS 20K 20A		
													3	1							JIS 30K 15A		
													3	2							JIS 30K 20A		
													6	1							JIS 63K 15A		
													6	2							JIS 63K 20A		
													1	H							ANSI/JPI 150LB 1/2B		
													1	T							ANSI/JPI 150LB 3/4B		
													2	H							ANSI/JPI 300LB 1/2B		
													2	T							ANSI/JPI 300LB 3/4B		
													4	H							ANSI/JPI 600LB 1/2B		
													4	T							ANSI/JPI 600LB 3/4B		
													S	R							Screw connection Rc1/2		
													S	2							Screw connection Rc3/4		
													S	N							Screw connection Rc1/2 - 14NPT		
													S	T							Screw connection Rc3/4 - 14NPT		
																					Material (direct mounting adapter) <18th digit>		
																					Adapter	Bolts/nuts (* 1)	
													W									316 Stainless Steel	Cr-Mo steel/carbon steel
																						Vent/drain (for direct mounting adapter) <19 th digit>	
													G									Standard	
													N									Long type	
																						Gasket (for direct mounting adapter) <20th digit>	
													1									Standard (Teflon) (Only Y, W, G, A and D can be specified on 13th digit).	
													2									For high temperature (spiral gasket) (Only H and S can be specified on 13th digit).	
																						Other specifications <21st digit>	
																						A With Material certificate	

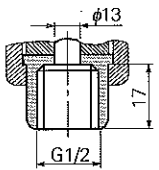
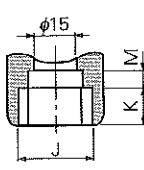
*1 For connection of transmitter receiving pressure unit and direct mounting adapter

OUTLINE DIAGRAM (Unit:mm)



Details of "A"

Details of "B"



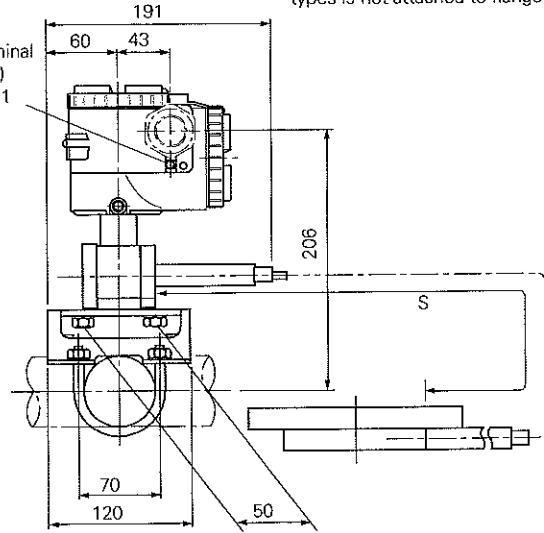
See table 1

7th digit of Code symbols	L	Mass approx. [kg]
W, H, M, T	0	9.5
A	50	10.5
B	100	11.5
C	150	12
D	200	12.5

11th digit of code symbols	Capillary length S [mm]
A, D	1500
B, E	3000
G, L	5000

5th digit of code symbols	φ D	φ E	t	N-φ h	Flange
0, G	140	105	36	4-19	JIS-10K-40A
1, H	155	120	36	4-19	JIS-10K-50A
2, J	140	105	38	4-19	JIS-20K-40A
3, K	155	120	38	8-19	JIS-20K-50A
4, L	160	120	42	4-23	JIS-30K-40A
5, M	165	130	42	8-19	JIS-30K-50A
6, N	175	130	52	4-25	JIS-63K-40A
7, P	185	145	54	8.23	JIS-63K-50A
A, Q	127	98.4	37.5	4-16	ANSI/JPI-150LB-1 1/2B
B, R	152	120.6	39.5	4-20	ANSI/JPI-150LB-2B
C, S	156	114.3	41	4-23	ANSI/JPI-300LB-1 1/2B
D, T	165	127	42.5	8-20	ANSI/JPI-300LB-2B
E, U	156	114.3	42.5	4-23	ANSI/JPI-600LB-1 1/2B
F, V	165	127	42.5	8-20	ANSI/JPI-600LB-2B

Note *: Cable gland is supplied in case of flameproof packing type. ø11 cable is suitable.

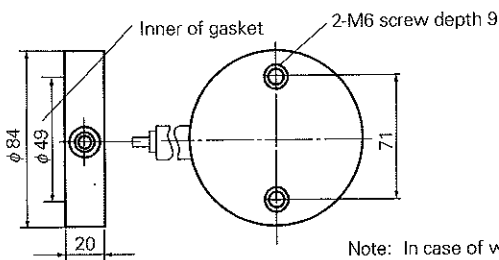


4th digit of Code symbols	Conduit conn.			Earth terminal
	J	K	M	
S	G1/2	17	8	No. 8-32UNC
T	1/2-14NPT	16	5	M4
V	Pg13.5	8	4.5	M4
W	M20x1.5	16	5	M4

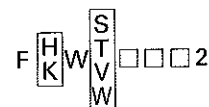
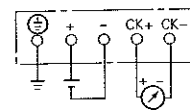
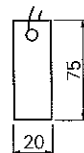
Table 1

<Optional stainless steel tag>

CONNECTION DIAGRAM



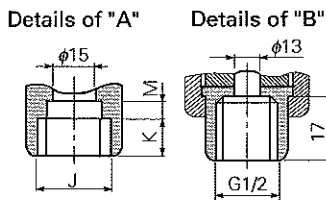
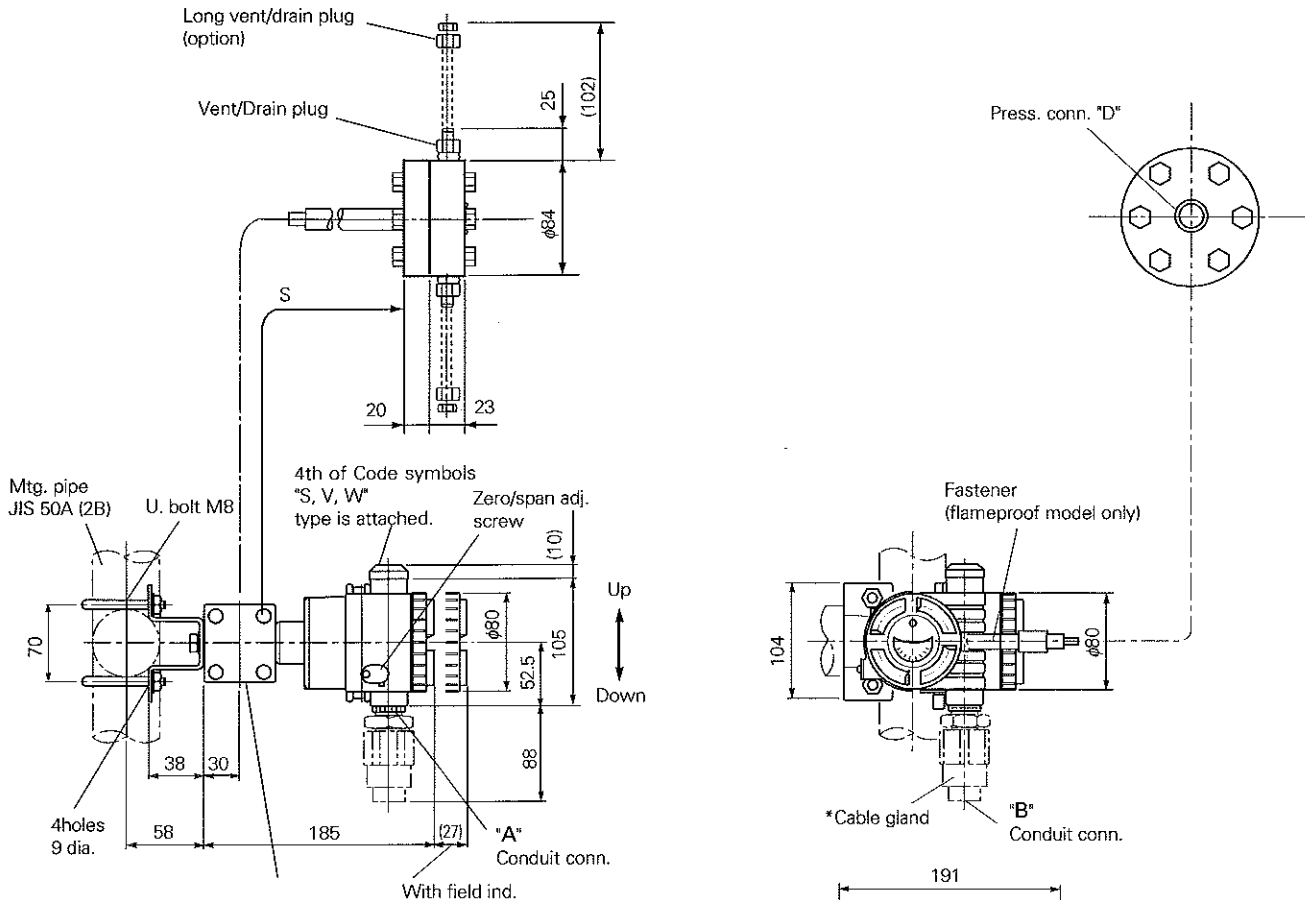
Note: In case of wafer type, flange is excluded from the scope of supply. Mount flange, referring to the view.



<Wafer type>

OUTLINE DIAGRAM (Unit:mm)

Specifications for instrument with direct mounting adapter
(screw connection type)



CONNECTION DIAGRAM

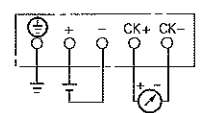


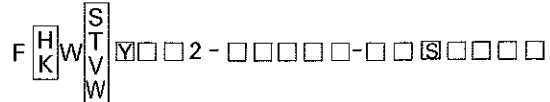
Table 1

4th digit of Code symbols	Conduit conn.			Earth terminal
	J	K	M	
S	G1/2	17	8	M4
T	1/2-14NPT	16	5	No. 8-32UNC
V	Pg13.5	8	4.5	M4
W	M20x1.5	16	5	M4

11th digit of code symbols	S
A, D	1500
B, E	3000
G, L	5000

16th digit of code symbols	17th digit of code symbols	Press. conn. "D"
S	R	Rc 1/2
S	N	1/2 - 14NPT
S	2	Rc 3/4
S	T	3/4 - 14NPT

Note *: Cable gland is supplied in case of flameproof packing type.
ø11 cable is suitable.



Fuji Electric Co.,Ltd.

Head office
11-2 Osaki 1-chome, Shinagawa-ku, Tokyo, 141-0032 Japan
Phone: 81-3-5435-7111
<http://www.fujielectric.co.jp/eng/sg/KEISOKU/welcome.htm>

Fuji Electric Instruments Co.,Ltd.

Sales Div.
International Sales Dept.
No.1, Fuji-machi, Hino-city, Tokyo 191-8502 Japan
Phone: 81-42-585-6201, 6202
Fax: 81-42-585-6187, 6189