

NOTES: UNLESS OTHERWISE SPECIFIED

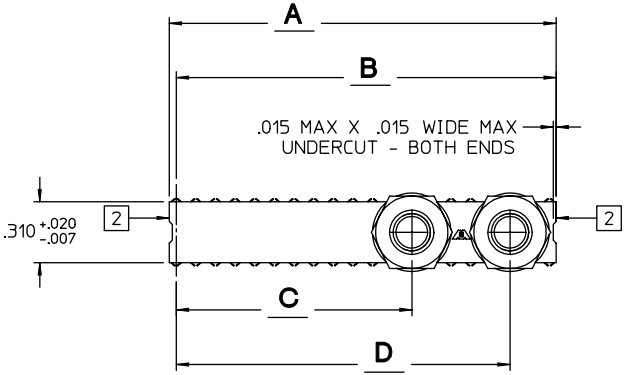
- 1 FASTENER & THREAD TO WITHSTAND 14 IN-LBS MIN. TORQUE, APPLIED WITH A STANDARD #10-32 UNC-2B NUT, AND THE FASTENER TO WITHSTAND A PUSH-OUT FORCE OF 100 LBS. MIN.
- 2 NO PLATING ON EDGES SHOWN.
- 3 FOR HOLE REQUIREMENT REQUEST WED DWG. 27331.
- 4 CUSTOMER TOOLING: INSERTION TOOL No. 107-43939-01.

SPECIFICATIONS

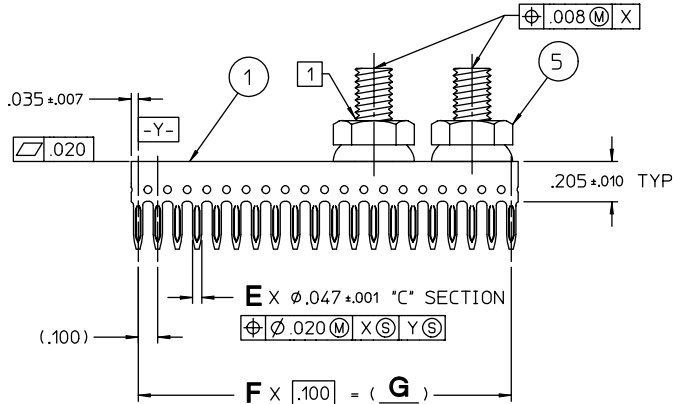
MATERIALS

- 1 Power Buss — Material: Copper Alloy #725
Finish: SEE CHART Except per 2
- 2 #10-32 Stud — Material: Steel
Finish: Zinc Plated
- 3 #10 External Tooth Washer — Material: Steel
Finish: Zinc Plated
- 4 #10-32 Hex Machine Screw Nut — Material: Steel
Finish: Zinc Plated
- 5 #10-32 KEPS Nut — Material: Steel
Finish: Zinc Plated
- 6 M5 Hex Machine Screw Nut — Material: Steel
Finish: Zinc Plated
- 7 M5 Stud — Material: Steel
Finish: Zinc Plated

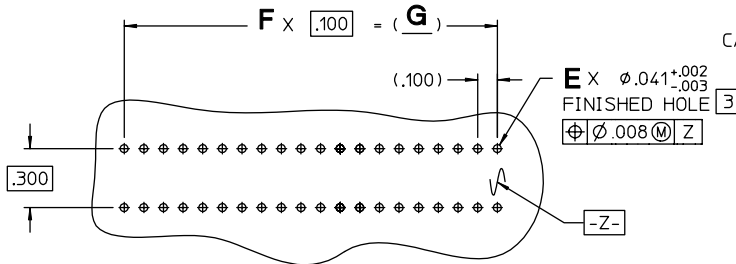
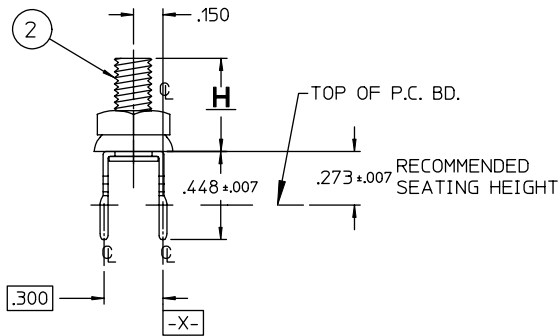
REV	DESCRIPTION	BY DATE	APPD
J	REVISED PER ECR8605	CNR 06/30/05	V.B.H.



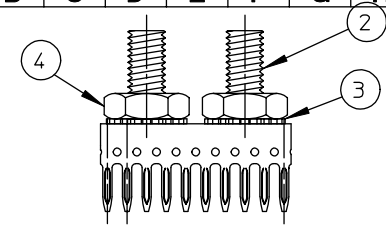
CATALOG No.	DESCRIPTION	A	B	C	D	E	F	G	H	PLATING
121-29293-07	SAME AS 121-29293-03 EXCEPT (2) ϕ .188 THRU HOLES INSTEAD OF #10 STUDS & HARDWARE									TIN LEAD
121-29293-05	40 AMP DUAL 10 W/1 M5 STUD & HARDWARE	.970	.935	—	.700	20	9	.900	.447	TIN LEAD
121-29293-04	40 AMP DUAL 10 W/1 #10 STUD & HARDWARE									TIN LEAD
121-29293-03	40 AMP DUAL 10 W/#10 STUDS & HARDWARE	.970	.935	.200	.700	20	9	.900	.475	PURE TIN (RoHS)
121-29293-02-260	80 AMP DUAL 20 W/#10 STUDS & KEPS NUTS									TIN LEAD
121-29293-02	80 AMP DUAL 20 W/#10 STUDS & KEPS NUTS	1.970	1.935	1.200	1.700	40	19	1.900		PURE TIN (RoHS)
121-29293-01-260	80 AMP DUAL 20 W/#10 STUDS									TIN LEAD
121-29293-01	80 AMP DUAL 20 W/#10 STUDS									TIN LEAD



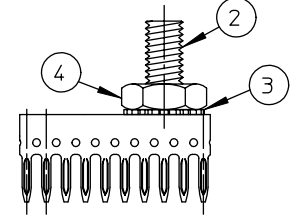
CATALOG No. 121-29293-02 SHOWN
CATALOG No. 121-29293-01 SAME EXCEPT NO HARDWARE



RECOMMENDED P.C. BOARD HOLE PATTERN



CATALOG No. 121-29293-03 SHOWN
CATALOG No. 121-29293-07 SAME EXCEPT NO STUDS AND HARDWARE



CATALOG No. 121-29293-04 SHOWN

CATALOG No. 121-29293-05 SAME EXCEPT M5 STUD (ITEM 7) AND M5 NUT (ITEM 6)

PER ANSI Y14.5M-1982 UNLESS OTHERWISE SPECIFIED: DIMENSIONS ARE IN INCHES OR INCHES / MM		Litton Winchester Electronics 400 PARK ROAD WATERTOWN, CONNECTICUT 06795	
TOLERANCES DECIMALS .XX ± .01 XXX ± .005 ANGLES ± 5°		SCALE: 1:1	
CUSTOMER DRAWING		TITLE POWER BUSS STRIPS .100 X .300 GRID	
DRAWN L.A.W.	DATE 3-18-98	CHECKED WPM	DATE 06/04/98
APPROVED L.A.W.	DATE 06/04/98	APPROVED S.D.	DATE 06/04/98
A		29293	
SHT. 1 OF 1		REV. J	