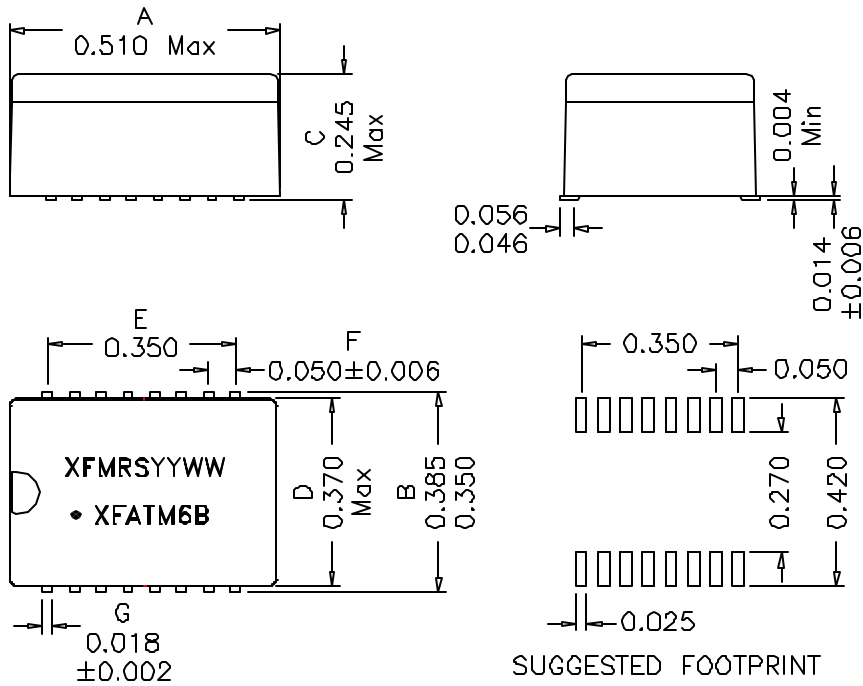
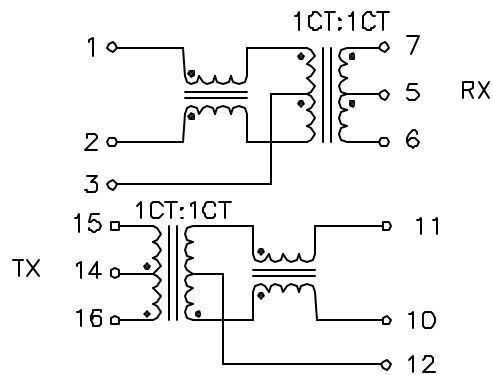


1. Mechanical Dimensions:



2. Schematic:



3. Electrical Specifications: @25°C

Isolation Voltage: 1500Vac

Turns Ratio: RX=1CT:1CT & TX=1CT:1CT

OCL: Pins 1-2, 11-10 350uH Min @100KHz 0.1V, 8mAdc

Q: Pins 1-2, 11-10 12 Min @10KHz 50mV

Insertion Loss: @0.3-125MHz -1.1dB Max

Rise Time (10-90%): 4.0ns Typ

Return Loss: 30MHz 60MHz 80MHz
 -20dB -14dB -11.5dB (Typical)

Crosstalk: 30MHz 60MHz 100MHz
 -45dB -40dB -35dB (Min)

Diff. to Common Mode Rejection (Min):
 30MHz 60MHz 100MHz
 -42dB -37dB -33dB (Min)

Notes:

1. Solderability: Leads shall meet MIL-STD-202G, Method 208H for solderability.
2. Flammability: UL94V-0
3. ASTM oxygen Index: > 28%
4. Insulation System: Class F 155°C. UL file E151556
5. Operating Temperature Range: All listed parameters are to be within tolerance from -40°C to +85°C
6. Storage Temperature Range: -55°C to +125°C
7. Aqueous wash compatible
8. SMD Lead Coplanarity: ±0.004"(0.102mm)
9. Electrical and mechanical specifications 100% tested
10. RoHS Compliant Component
11. Max IR Reflow Temperature: 250°C

DOC. REV: C/1

XFMRs INC www.XFMRs.com		Title: 10/100BASE-T MAGNETICS MODULES	
UNLESS OTHERWISE SPECIFIED TOLERANCES: .xxx ±0.010 Dimensions in Inch	P/N: XFATM6B	REV. C	
	DWN.	Feng	Oct-06-11
SHEET 1 OF 1	CHK.	YK Liao	Oct-06-11
	APP.	Joe Huff	Oct-06-11