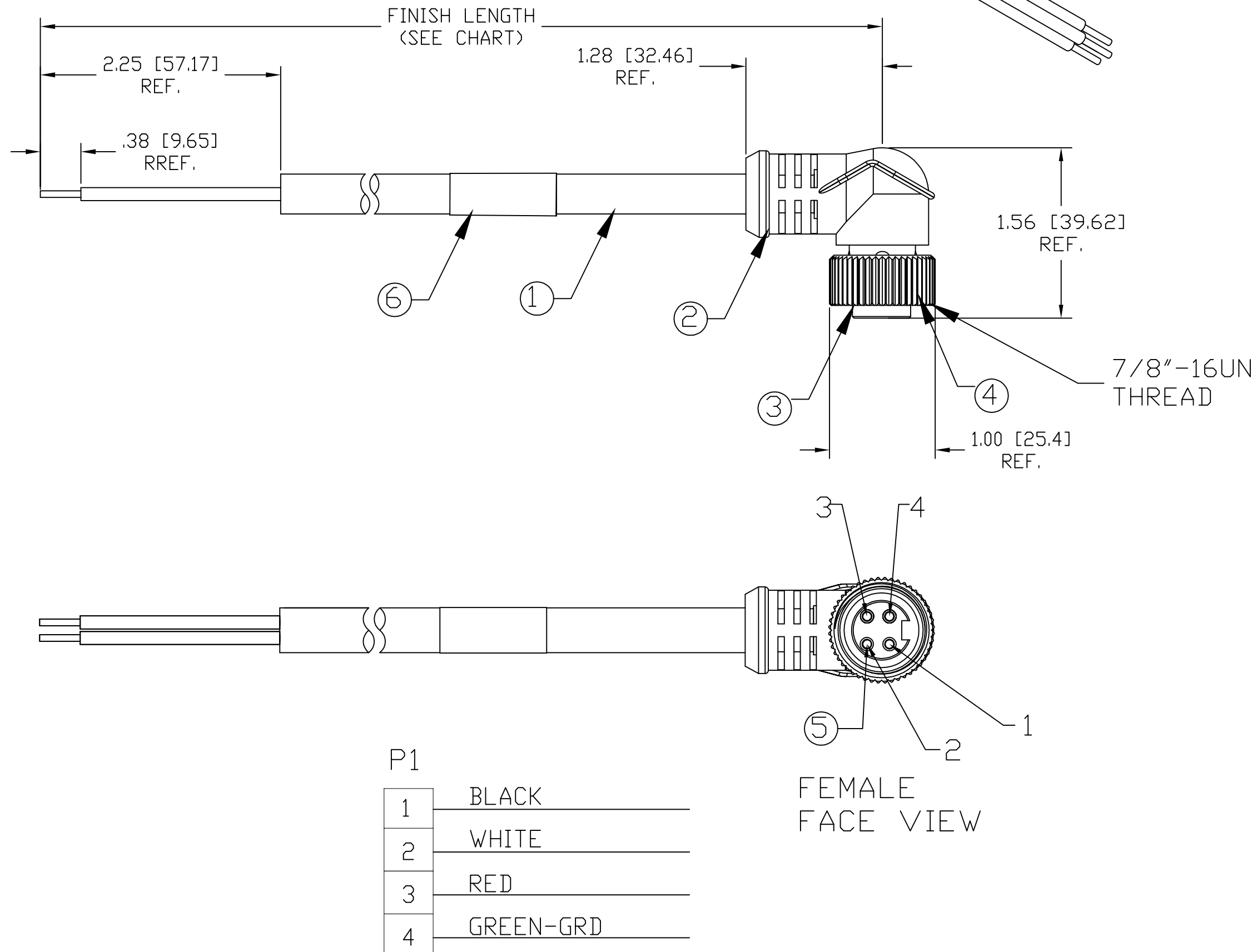


13	12	11	10	9
PART NUMBER	ENGINEERING NUMBER	FINISH LENGTH		
1300060898	104001A01F030	3.00' +1.75" -0 [.9M +44.5 -0]		
1300060902	104001A01F060	6.00' +3.50" -0 [1.8M +88.9 -0]		
1300060905	104001A01F120	12.00' +6.50" -0 [3.7M +165.1 -0]		
1300060912	104001A01F200	20.00' +6.50" -0 [6.1M +165.1 -0]		

NOTE

- 1) MATERIAL: SEE TABLE
- 2) FINISHES: SEE TABLE
- 3) WRAP LABEL IS MARKED WITH P/N, DATE CODE, VOLTAGE & AMPERAGE
- 4) MATES WITH: MINI CHANGE, 4 POLE RECEPTACLE
- 5) ELECTRICAL DATA:
 INLINE CORDSET
 FEMALE A-SIZE WITH FLYING LEADS
 16AWG UNSHIELDED
 POLES: 4
 MAX. VOLTAGE: 600V
 MAX. CURRENT 10A
 PROTECTION IP67
 TEMPERATURE RANGE: -20°C TO 105°C
- 6) PACKAGING:
 CABLE ASSEMBLIES ARE BAGGED SEPERATELY
 IN POLY BAGS WITH BAR CODE LABEL ATTACHED
 TO OUTSIDE OF BAG.
- 7) ASSEMBLY IS RoHS COMPLIANT.
- 8) CERTIFICATION
 UL RECOGNIZED, FILE NO. E152210
 CSA CERTIFIED, FILE NO. LR6837

ITEM	QTY.	DESCRIPTION	MATERIAL	FINISH
6	1	LABEL	PLASTIC FILM	BLACK/YELLOW
5	4	CONTACT SOCKET	COPPER ALLOY	GOLD PLATED
4	1	INSERT	PVC	YELLOW
3	1	COUPLING NUT	ZINC DIE CAST	BLACKE-COATED
2	1	OVERMOLD	PVC	YELLOW
1	1	CABLE, 16AWG-4 TYPE STOOD	PVC	YELLOW



WIRING DIAGRAM

RELEASE EC NO: WNA2010-0070 DRWN: TWOLDEGE 7/29/09 CH'KD: BWOODMAN APPR: JFMURPHY 2009/08/10	DESCRIPTION A	REV	QUALITY SYMBOL ▽=0 ▽=0	GENERAL TOLERANCES (UNLESS SPECIFIED)		DIMENSION STYLE		SCALE	DESIGN UNITS	THIRD ANGLE PROJECTION	
						IN/MM		1:1	INCH		
						mm	INCH	DRAWN BY DATE		TITLE	
						4 PLACES ±----	±---	TWOEDGE 2009/07/29		MINI CHANGE ASSEMBLY 4-POLE FEMALE 90D 16/4AWG PVC	
		3 PLACES ±.005	±.005	CHECKED BY DATE		MOLEX INCORPORATED					
		2 PLACES ±.013	±.010	BWOODMAN 2009/07/29		MATERIAL NO. DOCUMENT NO.					
		1 PLACE ±.025	±.020	APPROVED BY DATE		SD-130006-016					
		ANGULAR ±1/2°		SEE CHART		SHEET NO. 1 OF 1					
		DRAFT WHERE APPLICABLE MUST REMAIN WITHIN DIMENSIONS		THIS DRAWING CONTAINS INFORMATION THAT IS PROPRIETARY TO MOLEX INCORPORATED AND SHOULD NOT BE USED WITHOUT WRITTEN PERMISSION							