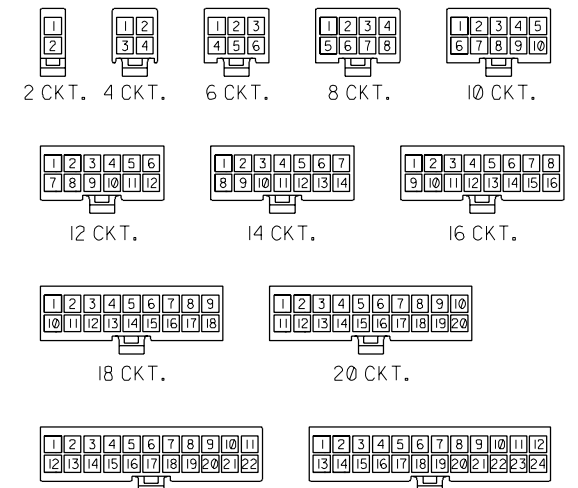
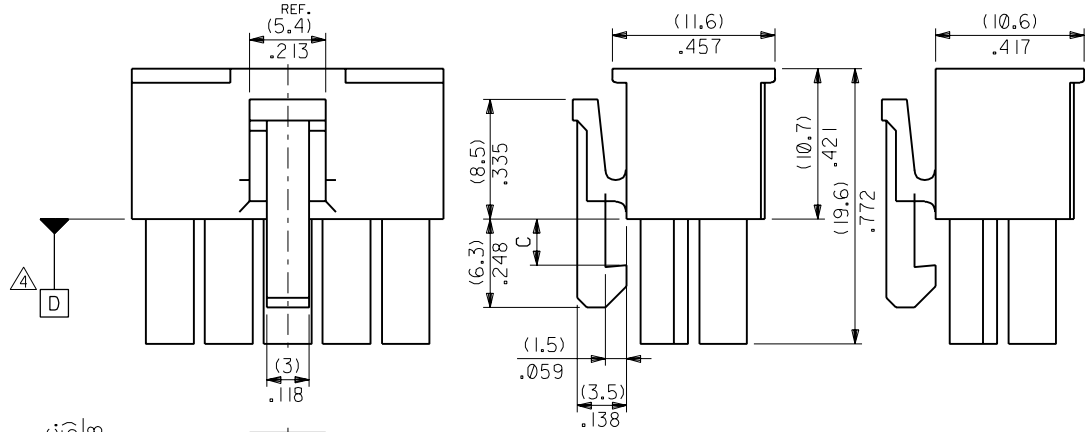


**NOTES**

1. TERMINAL : 5556 SERIES
2. MATE WITH : 5559 SERIES  
5566 SERIES  
5569 SERIES
3. (METRIC) VALUES SHOWN GOVERN OVER ENGLISH CONVERSION VALUES.  
 ▲ TO BE MEASURED AT POSITION OF □ SURFACE.

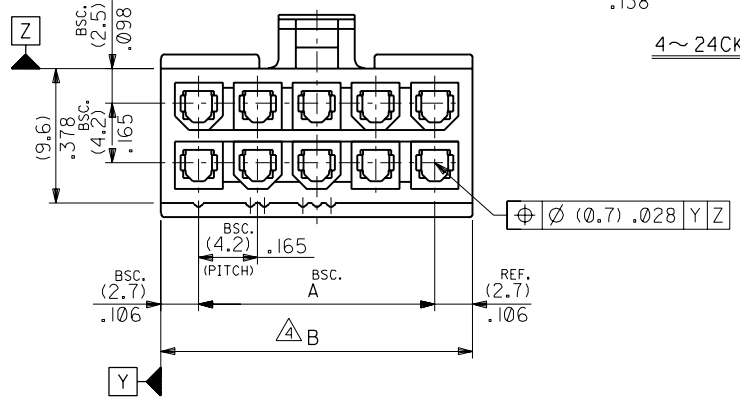


**CIRCUIT SIZE LAYOUT**  
 (SCALE: 1-1)



4~24CKT.

2CKT.



	C	B	A	EDP. NO.	ENG. NO.	NO. OF CKTS.
(3,6) .142	(51.6) 2.031	(46.2) 1.819	39-01-3245	5557-24R-BL	24	
	(47.4) 1.866	(42) 1.654	▲ -3225	▲ -22R-BL	22	
	(43.2) 1.701	(37.8) 1.488	-3205	-20R-BL	20	
	(39) 1.535	(33.6) 1.323	-3185	-18R-BL	18	
(3,3) .129	(34.8) 1.37	(29.4) 1.158	-3165	-16R-BL	16	
	(30.6) 1.205	(25.2) .992	-3145	-14R-BL	14	
	(26.4) 1.039	(21) .827	-3125	-12R-BL	12	
	(22.2) .874	(16.8) .661	-3105	-10R-BL	10	
	(18) .709	(12.6) .496	-3085	-08R-BL	8	
	(13.8) .543	(8.4) .331	-3065	-06R-BL	6	
	(9.6) .378	(4.2) .165	▼ -3045	▼ -04R-BL	4	
	(5.4) .213	—	39-01-3025	5557-02R-BL	2	

角度 ANGLE	±3°	C	REVISED (JC70586)	S.A.	9/11/8	材料 MATERIAL 66NYLON (UL94V-2)	MOLEX-JAPAN CO.,LTD. 日本モレックス株式会社
30以上 OVER	+0.4	B	REVISED (J20158)	M.F.	9/11/8	仕上げ FINISH DYED BLACK	
10以上 30 未滿 UNDER	+0.3	A	REVISED & REDRAWN (J01160)	H.H.	9/24/20	適用電線範囲 WIRE RANGE	ENG. NO. SD-5557-NR-BL
10 未滿 UNDER	+0.2	記号 LTR	変更内容 REVISION RECORD	Y.y.	90/11/8	被覆外径 INS. RANGE	REV C
一般公差 GENERAL TOLERANCES		REVISION ONLY ON CAD SYSTEM			DR. DATE	DRAWN BY 90/11/8 H.HIRAMOTO	TITLE 名称 NEW MINI FIT CONN. REC. HOUSING (BLACK)
				DR. CHK.	DATE	CHK'D BY 97/01/08 M.FUKUSHIMA	尺度 SCALE 3 - 1
						APP'D BY 97/01/08 M.FUKUSHIMA	