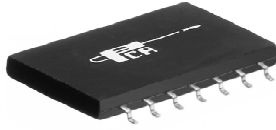


10Base-T PC Card Module with Enhanced CMA and Resistor Network

EPE6133AG



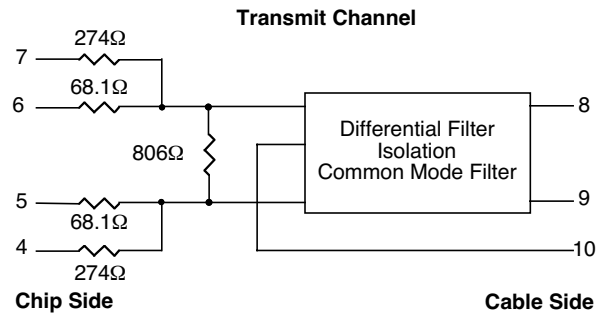
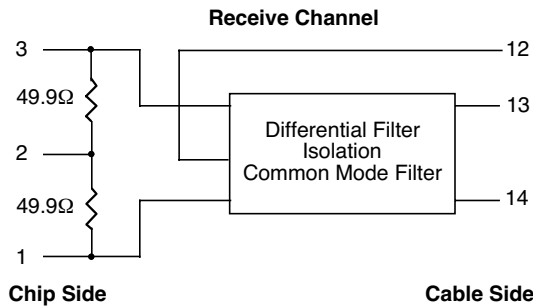
- Optimized for SMC 91C94 Chip
- Recommended for National, AT&T PHY Chips
- Robust construction allows for IR/VP processes
- Complies with or exceeds IEEE 802.3, 10Base-T Standards

Electrical Parameters @ 25° C

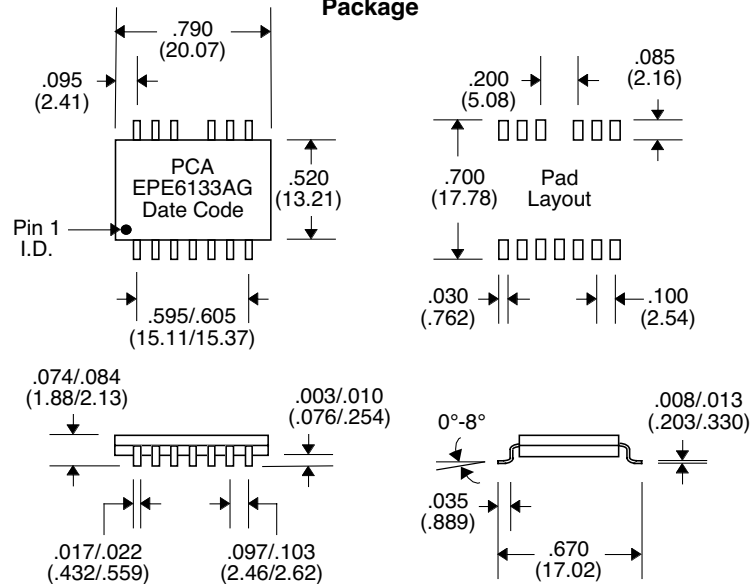
Cut-Off Frequency (MHz)	Insertion Loss (dB Max.)	Return Loss (dB Min.)	Attenuation (dB Min.)				Common Mode Rejection (dB Min.)			Crosstalk (dB Min.)
			@ 20 MHz	@ 25 MHz	@ 30 MHz	@ 40 MHz	@ 50 MHz	@ 100 MHz	@ 200 MHz	
± 1.0 MHz	1-10 MHz	5-10 MHz	@ 20 MHz	@ 25 MHz	@ 30 MHz	@ 40 MHz	@ 50 MHz	@ 100 MHz	@ 200 MHz	1-10 MHz
Xmit/Rcv	Xmit/Rcv	Xmit/Rcv	Xmit/Rcv	Xmit/Rcv	Xmit/Rcv	Xmit/Rcv	Xmit/Rcv	Xmit/Rcv	Xmit/Rcv	Xmit/Rcv
17/17	-1/-1	-25/-25	-7/-5	-15/-11	-25/-15	-30/-25	-30/-30	-30/-30	-30/-30	-20/-20

- **Isolation** : meets or exceeds 802.3 IEEE Requirements
- **Characteristic Filter Impedance** : 100 Ω
- Referenced to the filter output @ 5 MHz for filter only, excluding resistor network

Schematic



Package



Unless Otherwise Specified Dimensions are in Inches /mm ±.010 /.25