

## KEY FEATURES

- Fully Isolated Plastic Case with IP65 Level
- Constant Current
- Universal Input: 90-264 VAC
- With P.F.C. Function, PF>0.93
- High Efficiency up to 86%
- Turn-on Delay < 250ms
- Protections: Over Load / Over Voltage / Short Circuit  
Over Temperature(optional)
- High Reliability & Double Layered PCB
- 3-Years Product Warranty



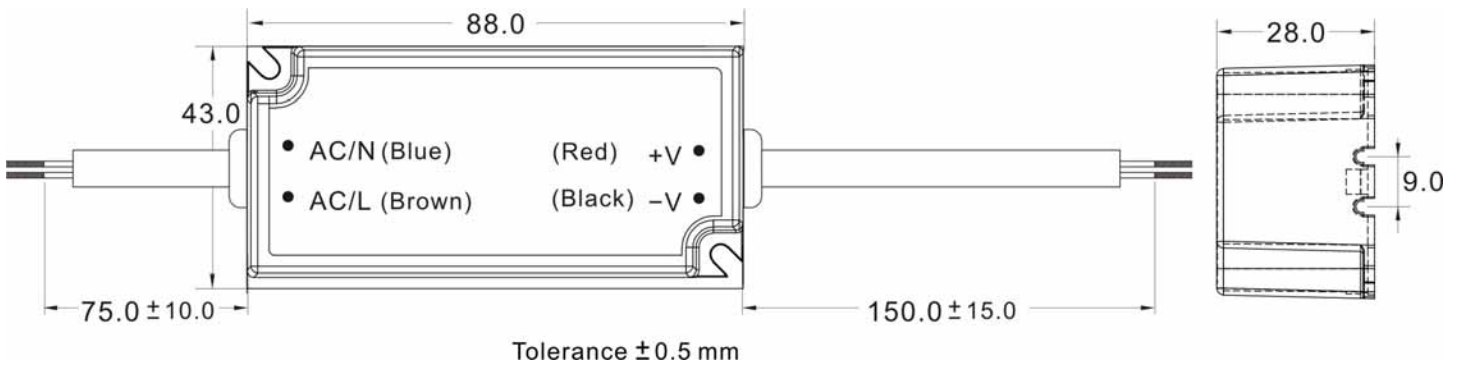
## ELECTRICAL SPECIFICATIONS

All specifications valid at normal input voltage, full load and +25°C after warm-up time unless otherwise stated.

Model No.	PLF16-1050	PLF16-700	PLF16-350
Max output wattage ( W )	16.38W	16.8W	16.8W
Input	Voltage (Note1)		
	90-264 VAC		
	Frequency (Hz)		
	47~63 Hz		
	Power factor		
	PF>0.93 at full load (115/230 VAC)		
Output	Current (full load)		
	0.6A max. (115 VAC) / 0.3A max. (230 VAC)		
	Inrush current		
	40 A max. (Cold Start at 230 VAC)		
	Leakage current		
	<0.25mA		
Output	Voltage (V.DC.) (max)		48V
	15.6V		24V
	Operation Voltage (Note2)		
	11~15.6VDC		
	Current (mA)		350
	1050		700
	Load Regulation (Min-Max) (typ.)		
±4%			
Ripple & Noise (max) (Note3)			
3Vp-p			
Current Regulation (at 230VAC) (Note4)			
±5%			
Efficiency (typ) (at 230VAC)		86%	86%
84%		86%	86%
Protection	Over Temperature protection(optional)		
	Auto recovery		
	Over voltage protection		
Auto recovery			
Short circuit protection			
Auto recovery			
Isolation	Input-Output (V.AC)		
4000V			
Environment	Operating temperature		
	-30°C...+70°C (with derating)		
	Storage temperature		
	-40°C...+85°C		
	Temperature coefficient		
0.1%/°C			
Humidity			
95% RH			
MTBF			
>906,500 h @ 25°C (MIL-HDBK-217F)			
Physical	Dimension (L x W x H)		
	3.47 x 1.69 x 1.1 Inches (88.0 x 43.0 x 28.0 mm ) Tolerance ±0.5 mm		
	Weight		
150 g			
Cooling method			
Free air convection			
Safety & EMC	Safety Standards		
	EN61347 · EN61347-2-13		
	EMI (Conducted & Radiated Emission)		
EN 55015			
EMS (Noise Immunity)			
EN 61547			

**Note:**

1. Please check the derating curve for more details.
2. This is the suitable operation region for LED related application. but please reconfirm special electrical requirements for some specific system design
3. Ripple & Noise are measured at 20MHz of bandwidth with 0.1uF & 47uF parallel capacitor.
4. (1) Current Regulation  $\leq \pm 7.5\%$  (at 115VAC Input Voltage)  
 (2) Current Regulation  $\leq \pm 10\%$  (at other Input Voltage)

**MECHANICAL DIMENSION ( Top View )**


PIN#	SINGLE
1	AC IN (N)
2	AC IN (L)
3	+DC OUT
4	-DC OUT

**DERATING**
