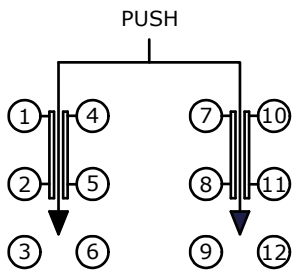


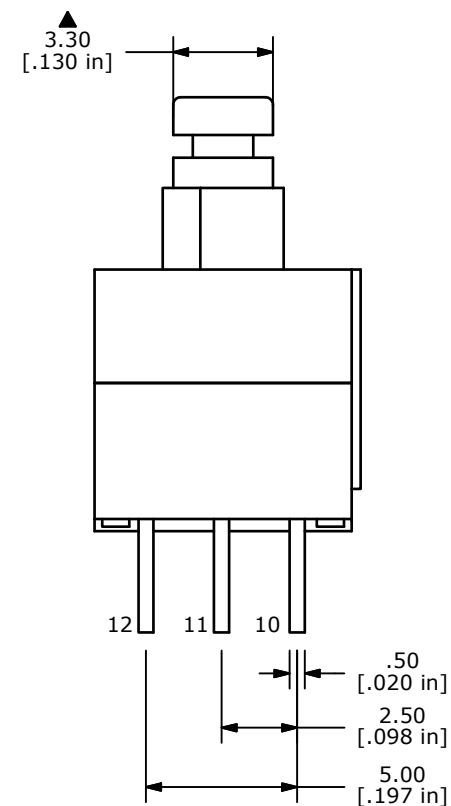
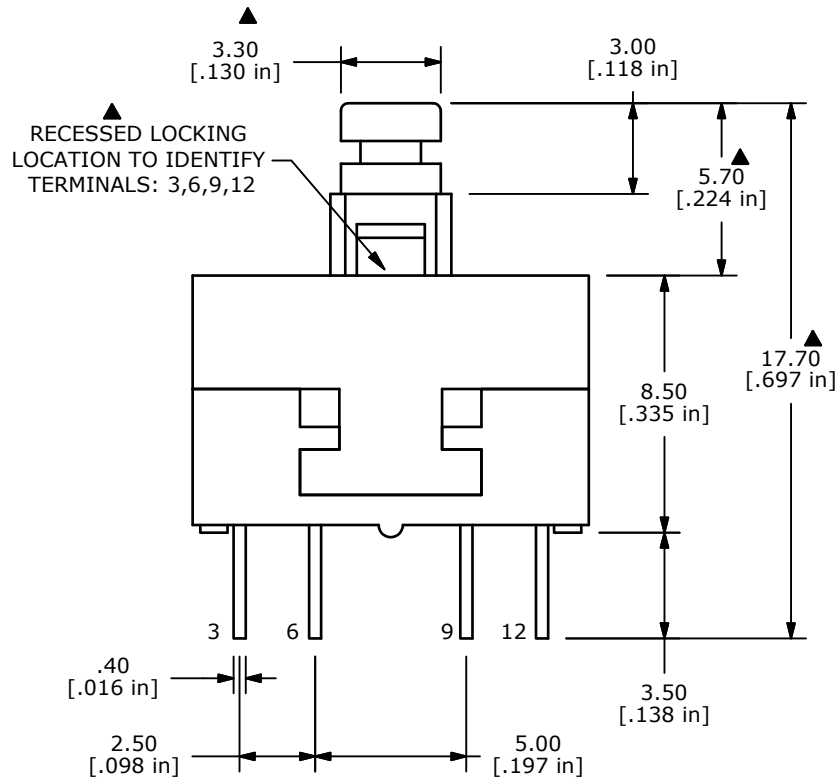
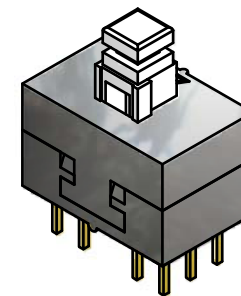
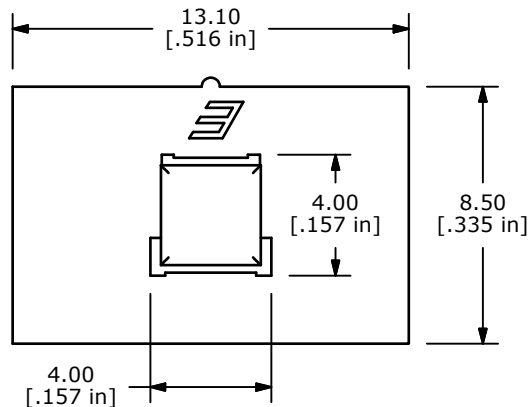
P.C.B. LAYOUT



CIRCUIT DIAGRAM

| SWITCH FUNCTION | |
|----------------------|----------------------|
| POS. 1 | POS. 2 |
| | |
| ON | ON |
| 1-2,4-5 7-8,10-11 | 2-3,5-6 8-9,11-12 |

- NOTES:
- ALL DIMENSIONS IN MM [INCH]
 - GENERAL TOLERANCE: X.X±0.4
X.XX±0.25
 - TERMINAL NUMBERS FOR REF. ONLY
 - RATING: 0.1A @ 30VDC
 - ▲ 5. TRAVEL: FULL = 2.5mm, LOCK = 1.5mm
 - ▲ 6. OPERATING FORCE: 300gf ± 70gf
 7. ELECTRICAL LIFE: 10,000 CYCLES
 8. ▲ DENOTES CRITICAL PARAMETER
 9. CONTACT MATERIAL: SILVER
 10. 2002/95/EC (RoHS) COMPLIANT
 11. INSULATION RESISTANCE: 100 MΩ MIN.
 12. DIELECTRIC STRENGTH: 500 VAC
 13. OPERATING TEMPERATURE: -30°C TO +85°C



TITLE TL4201EEYA

| | | | | |
|-----|--------|----------------|---------|-----|
| F | 19691 | DRAWING UPDATE | 2/18/11 | BGL |
| REV | PCR NO | DESCRIPTION | DATE | BY |

THE INFORMATION CONTAINED IN THIS DOCUMENT IS PROPRIETARY TO E-SWITCH AND IS NOT TO BE COPIED OR TRANSFERRED

| | | | | |
|-------|-----------|-----|---------|-----|
| SCALE | DATE | DR | DWG | REV |
| 4:1 | 2/18/2011 | BGL | P010552 | F |