

## Features

- **Pb-Free package is available**  
RoHS product for packing code suffix "G"
- Halogen free product for packing code suffix "H"
- Epoxy meets UL 94 V-0 flammability rating
- Moisture Sensitivity Level 1
- Built-in bias resistors enable the configuration of an inverter circuit without connecting external input resistors
- The bias resistors consist of thin-film resistors with complete isolation to allow negative biasing of the input. They also have the advantage of almost completely eliminating parasitic effects.
- Only the on/off conditions need to be set for operation, making device design easy

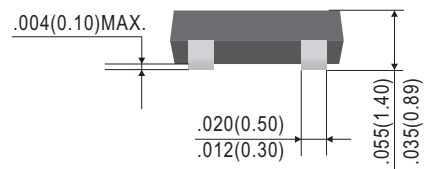
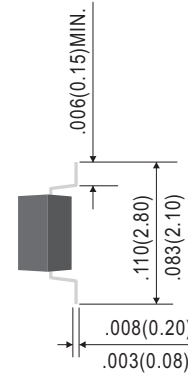
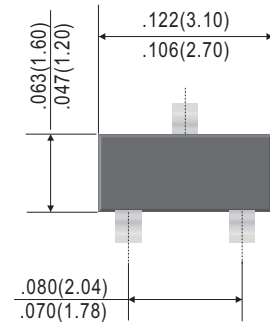
### Absolute maximum ratings @ 25°C

Symbol	Parameter	Min	Typ	Max	Unit
V <sub>CC</sub>	Supply voltage	---	50	---	V
V <sub>IN</sub>	Input voltage	-10	---	40	V
I <sub>O</sub>	Output current	---	30	---	mA
I <sub>C(MAX)</sub>	Output current	---	100	---	mA
P <sub>d</sub>	Power dissipation	---	200	---	mW
T <sub>j</sub>	Junction temperature	---	150	---	°C
T <sub>stg</sub>	Storage temperature	-55	---	150	°C

### Electrical Characteristics @ 25°C

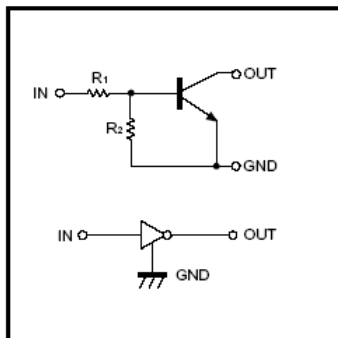
Symbol	Parameter	Min	Typ	Max	Unit
V <sub>I(off)</sub>	Input voltage (V <sub>CC</sub> =5V, I <sub>O</sub> =100 μA)	0.5	---	---	V
V <sub>I(on)</sub>	Input voltage (V <sub>O</sub> =0.2V, I <sub>O</sub> =5mA)	---	---	3.0	V
V <sub>O(on)</sub>	Output voltage (I <sub>O</sub> /I <sub>I</sub> =10mA/0.5mA)	---	0.1	0.3	V
I <sub>I</sub>	Input current (V <sub>I</sub> =5V)	---	---	0.36	mA
I <sub>O(off)</sub>	Output current (V <sub>CC</sub> =50V, V <sub>I</sub> =0)	---	---	0.5	μA
G <sub>1</sub>	DC current gain (V <sub>O</sub> =5V, I <sub>O</sub> =5mA)	56	---	---	
R <sub>1</sub>	Input resistance	15.4	22	28.6	KΩ
R <sub>2</sub> /R <sub>1</sub>	Resistance ratio	0.8	1.0	1.2	
f <sub>T</sub>	Transition frequency (V <sub>O</sub> =10V, I <sub>O</sub> =5mA, f=100MHz)	---	250	---	MHz

## SOT-23



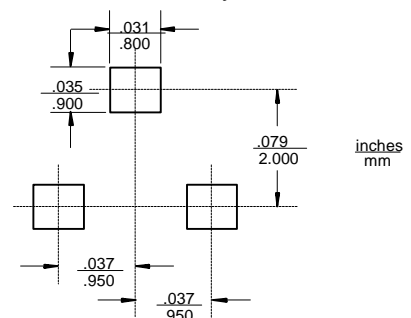
Dimensions in inches and (millimeters)

### Equivalent circuit



\*Marking: 25

### Suggested Solder Pad Layout



## Typical Characteristics

