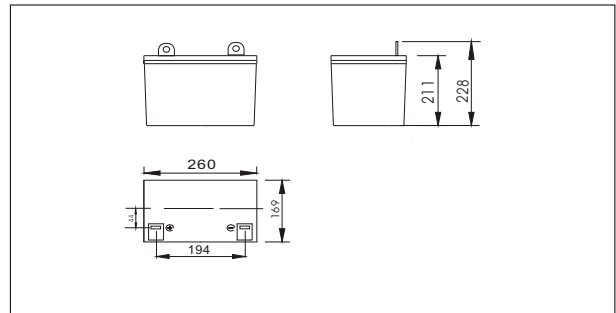




SW12800E(12V80AH)



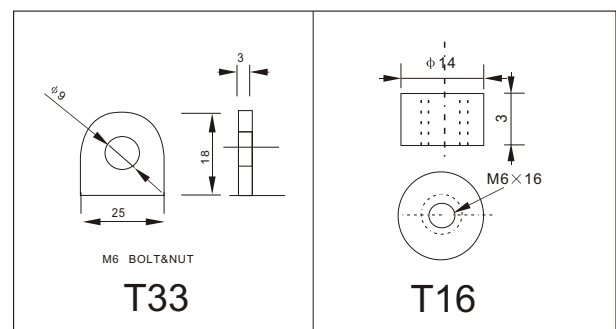
● Outer dimensions (mm)



● Specifications

Nominal Voltage	12V	
Rated capacity (10 hour rate)	80 Ah	
Dimensions	Total Height	228 mm (8.98inches)
	Height	210 mm (8.27 inches)
	Length	260 mm (10.2 inches)
	Width	169mm (6.65 inches)
Weight Approx	24Kg (52.8lbs)	

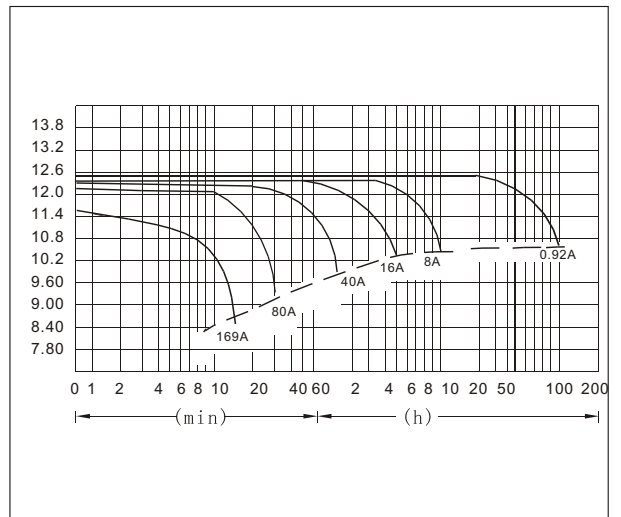
● Terminal Type (mm)



● Characteristics

Capacity 25°C(77°F)	10 hour rate(8.0A)	80 AH
	5 hour rate(12.8A)	64 AH
	1 hour rate(44.0A)	44 AH
Internal Resistance	1.5 hour discharge to 10.5V	32 A
	Full charged Battery at 25°C(77°F)	7 MΩ
Capacity affected by Temperature (10hour rate)	40°C(104°F)	102%
	25°C(77°F)	100%
	0°C(32°F)	85%
	-15°C(5°F)	65%
Self-Discharge at 25°C(77°F)	Capacity after 3 month storage	91%
	Capacity after 6 month storage	82%
	Capacity after 12 month storage	64%
Terminal	T33 T16	
Charge (constant Voltage)	Cycle	Initial Charging Current less than 20 A Voltage 14.10-14.40V
	Float	Voltage 13.50-13.80V

● Discharge Curves 25°C(77°F)



Constant Current(Amp) and Constant Power(Watt) Discharge Table at 25°C(77°F)

Time		10min	30min	1h	3h	4h	5h	8h	10h	20h	50h	100h
9.60V	A	169	91	48	20.6	16.0	13.2	9.3	8.4	4.54	1.89	0.97
	W	1874	977	556	238	185	153	108	97	52.5	22.5	11.5
10.20V	A	164	89	45.1	20.0	15.6	13.0	9.1	8.2	4.42	1.82	0.94
	W	1803	968	522	232	181	150	105	95	51.2	21.7	11.2
10.50V	A	157	84	44	19.5	15.4	12.8	9.0	8.0	4.37	1.79	0.92
	W	1747	914	506	226	178	148	105	94	50.6	21.4	11.0
10.80V	A	146	82	42	19.0	15.1	12.5	8.8	7.8	4.32	1.76	0.91
	W	1679	879	484	222	174	145	102	93	50.3	21.0	10.9
11.10V	A	134	75	40	18.4	14.7	12.2	8.6	7.60	4.10	1.73	0.88
	W	1650	872	471	219	173	145	102	90	48.8	20.6	10.5