



- EE13 Vertical Core Configuration
- 10 Pin Through Hole Mounting
- UL Class B130°C Insulation, File E349541

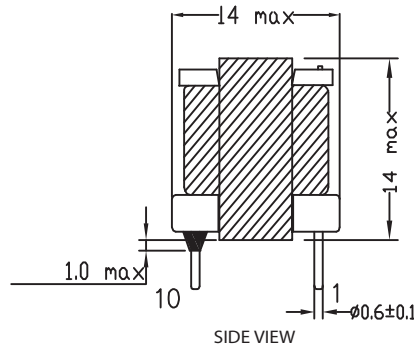
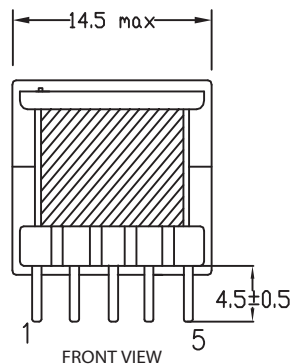
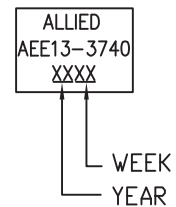
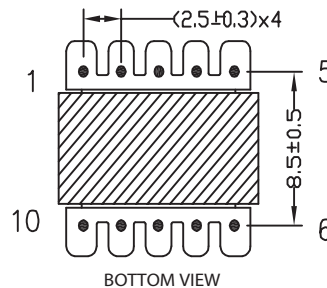
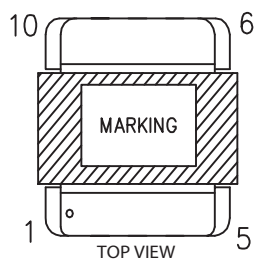
Primary Electrical Specifications @ 25°C				
S - F	INDUCTANCE F=10KHZ, 1VRMS, 25°C	LEAKAGE INDUCTANCE F=10KHZ, 1VRMS, 25°C (SHORT 6,9 PINS)	DCR 25°C (Max)	TURN RATIO
5 - 1	100 uH ± 10%	60uH Max	1.35 Ohm	86Ts

Secondary Electrical Specifications @ 25°C				
S - F	INDUCTANCE F=10KHZ, 1VRMS, 25°C	LEAKAGE INDUCTANCE F= HZ, VRMS, 25°C	DCR 25°C (Max)	TURN RATIO
6 - 9	-	-	12 mOhm	4Ts

Hi - Pot / Insulation Resistance					
LOCAT. \ DESC.	PRI-PRI	PRI-SEC	SEC-SEC	PRI-CORE	SEC-CORE
HI-POT (50Hz/60Hz)	-	1500VAC 5mA, 6SEC	-	500VAC 5mA, 6SEC	500VAC 5mA, 6SEC
INSULATION RESISTANCE	-	500VAC 100, MOhm min	-	500VAC 100, MOhm min	500VAC 100, MOhm min

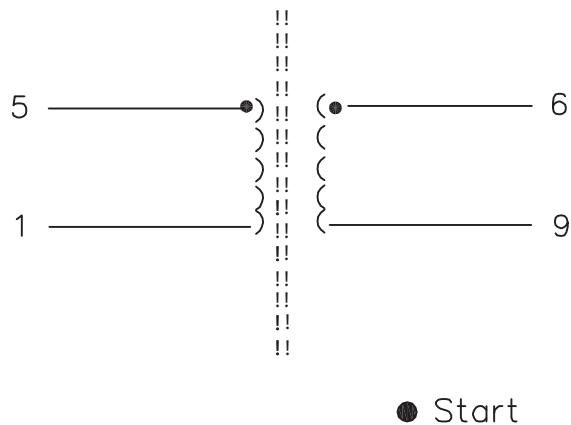
All specifications subject to change without notice.

MECHANICAL





SCHEMATICS



WINDING SUMMARY

WINDING ORDER		S - F	WIRE SIZE	TURN	MARGIN TAPE	INSULATION TAPE	REMARK
#1	N1	5-1	∅0.2 (2UEWF)	86Ts	-	3 LAYERS	1 WIRE
#2	N2	6-9	∅0.37X3P(2UEWF)	4Ts	-	3 LAYERS	3 WIRES