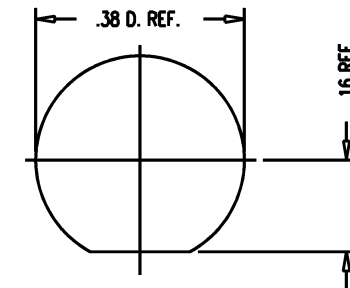
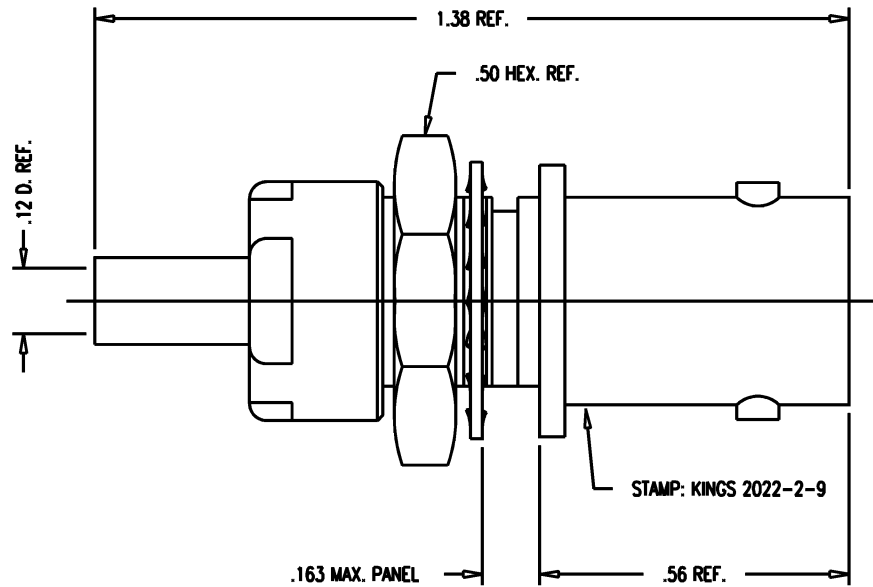


GSD

2022-2-9

REVISIONS

ISSUE	CHANGES
0	ER 33689 JCA 01/30/92
1	CN 36442 C KH 07/18/95



MOUNTING HOLE

NOTES:

- FOR USE WITH M17/119-RG174, M17/094-RG179 & M17/113-RG316 CABLES.
- FOR CABLING INSTRUCTIONS SEE CP-470.
- FOR CABLE TRIMMING USE KTD-165 & KTJ-110.
- FOR CRIMPING USE DIE KTH-2011.
- INTERFACE PER MIL-STD-348, FIG. 301-2 (AS APPLICABLE)..
- MATERIALS:
 INSULATORS: TEFLON, ASTM-D-1457
 K-GRIP SLEEVE: COM. BRONZE TUBE, ALLOY 220
 LOCKWASHER: PHOS. BRONZE, QQ-B-750
 CENTER CONTACT: BER. COP., ASTM-B-196
 ALL OTHER PARTS: BRASS, ASTM-B16
- FINISHES:
 CENTER CONTACT: HARD GOLD PLATE PER MIL-G-45204
 ALL OTHER METAL PARTS: KINGS TARNISH RESISTANT FINISH (TR-5)
- ELECTRICAL CHARACTERISTICS:
 NOMINAL IMPEDANCE: 75 OHMS
 VOLTAGE RATING: 500 VRMS
 FREQUENCY RANGE: DC TO 4 GHz

JCA2466

SCALE 4:1

APPROX SURFACE AREA

USED ON

REF:

JACK, BULKHEAD, 75 OHM BNC

DRAWN JCA 01/30/92

DESIGN LI 01/30/92

APPR. DATE

KINGS
ELECTRONICS CO., INC.
TUCKAHOE, NEW YORK 10707

GSD

2022-2-9