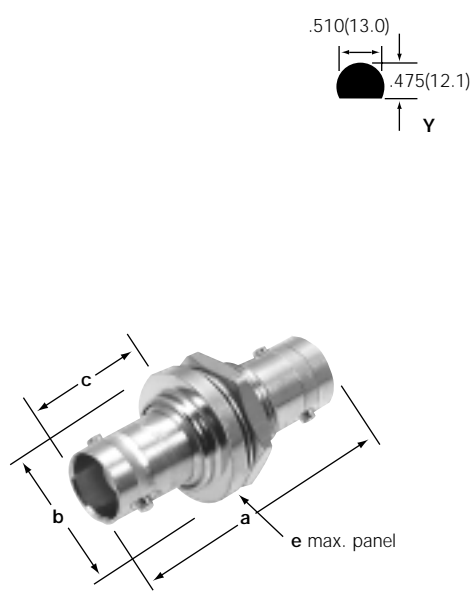
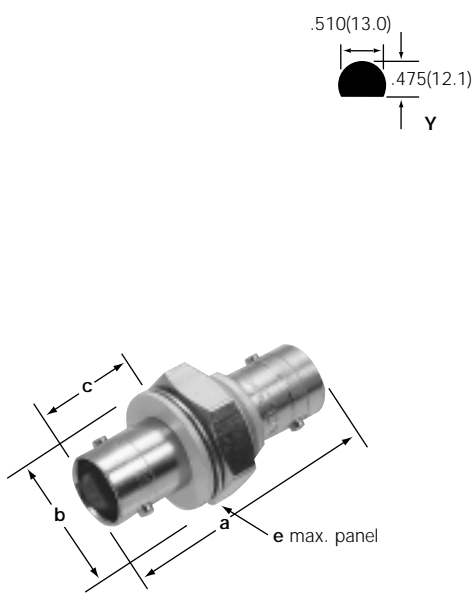


# BNC 50 ohm Bulkhead Adapters

Amphenol®

|   |  |
|---|--|
| <p>Fig. 1</p>  <p style="text-align: center;">BNC Bulkhead Adapters - Jack/Jack<br/> <b>4525</b><br/> <b>31-220G-RFX</b><br/> <b>31-220H</b><br/> <b>31-220N</b><br/> <b>31-220N-RFX</b><br/> <b>31-3220</b></p> | <p>Fig. 2</p>  <p style="text-align: center;">BNC Isolated Bulkhead Adapters<br/>         Jack-Jack<br/> <b>31-4803</b><br/> <b>31-4803-1101</b><br/> <b>31-4803-RFX</b></p> |
|---|--|

## BNC BULKHEAD ADAPTERS

| Description         |           | Dimensions, inches (millimeters) |             |            |           | Notes |      | Mtg. Hole | Military Number | Amphenol Number | Fig. |   |
|---------------------|-----------|----------------------------------|-------------|------------|-----------|-------|------|-----------|-----------------|-----------------|------|---|
|                     |           | a                                | b           | c          | e         | Plt.  | Ins. |           |                 |                 |      |   |
| Sealed, 50 PSI      | Jack-Jack | 1.40(35.6)                       | .687(17.45) | .683(17.3) | .187(4.8) | P1    | D1   | Y         | UG-492A/U       | 31-220H *‡      | 1    | ▲ |
|                     | Jack-Jack | 1.53(38.9)                       | .688(17.5)  | .672(17.0) | .281(7.1) | P4    | D1   | Y         | UG-492D/U       | 31-3220*        | 1    | ▲ |
| Gasketed            | Jack-Jack | 1.56(39.6)                       | .689(17.5)  | .681(17.3) | .295(7.5) | P7    | D23  | Y         | —               | 31-220G-RFX     | 1    | ▲ |
|                     | Jack-Jack | 1.40(35.6)                       | .800(20.3)  | .659(16.7) | .160(4.1) | P1    | D1   | Y         | —               | 4525*           | 1    | ▲ |
| Non-sealed          | Jack-Jack | 1.40(35.6)                       | .800(20.3)  | .664(16.9) | .187(4.8) | P1    | D1   | Y         | —               | 31-220N         | 1    | ▲ |
|                     |           | 1.28(32.5)                       | .610(15.5)  | .492(12.5) | .216(5.5) | P7    | D23  | Y         | —               | 31-220N-RFX     | 1    | ▲ |
| Isolated from Panel | Jack-Jack | 1.28(32.5)                       | .625(15.9)  | .460(11.7) | .187(4.8) | P1    | D12  | Y         | —               | 31-4803         | 2    | ▲ |
|                     |           | 1.28(32.5)                       | .625(15.9)  | .460(11.7) | .187(4.8) | P15   | D12  | Y         | —               | 31-4803-1101    | 2    |   |
|                     |           | 1.28(32.5)                       | .625(15.9)  | .460(11.7) | .187(4.8) | P15   | D12  | Y         | —               | 31-4803-RFX     | 2    |   |

\* recognized under the component program of U.L, Inc. ▲ distributor stocked ‡ IBM 5252764

BNC